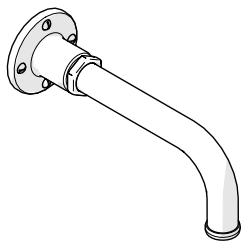


INSTALLATION GUIDELINES

WALL MOUNTED TUB SPOUT

REGULATOR WALL MOUNTED TUB SPOUT



STYLES
RGTS01

IMPORTANT:

- To ensure this product is installed properly, you must read and follow these guidelines.
- The owner/user of this product must keep this information for future reference.
- This product must be installed by a professional licensed contractor and must be on-site prior to rough-in. This allows the installer to visualize the installation.
- Check TUB measurements to assure the SPOUT projects far enough into the TUB.
- Be sure your installation conforms to all federal, state, and local codes.
 - Anti-scald protection is the responsibility of the installer and according to applicable codes.
 - A water temperature limiting device is the responsibility of the installer and must be in accordance with ASSE 10970.
 - In the State of Massachusetts, all installations must comply with the rules and regulations set forth within 248 CMR.
- Inspect this product to ensure it is the correct model and you have all the parts required for proper installation.
- Product is sold partially assembled but shown fully disassembled for illustrative and service purposes only.
- Use only a strap wrench or protected/smooth-jaw wrench on any finished surface.
- The use of certain plumber's putty may stain stone or tile surfaces.
- If further assistance is required, please contact Product Support at 1-800-927-2120 Monday through Friday, 8am - 6pm EST.
- Refer to the separate Service Parts Documents for available replacement parts.

PRODUCT SUPPORT | 800.927.2120 | WATERWORKS.COM

WATERWORKS

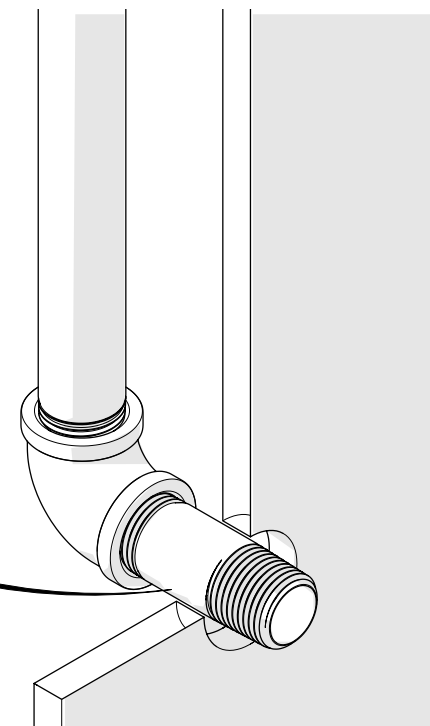
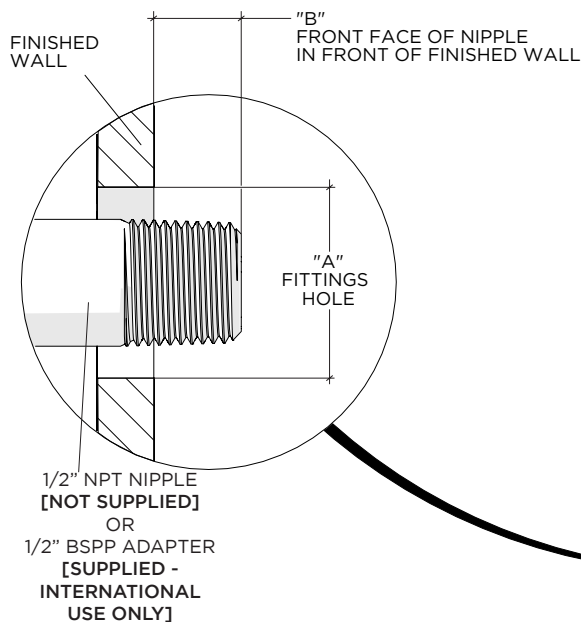
TECHNICAL DETAILS:

DETAIL	SPECIFICATION
INLET CONNECTION	1/2" FEMALE NPT †
INTEGRATED DIVERTER	NO
SPOUT REACH	8-1/2" [216mm]
WATER PRESSURE RANGE	20psi [1.5 bar] MIN , 85psi [6.0 bar] MAX
WATER PRESSURE RECOMMENDED	45psi [3.0 bar]

ROUGH-IN:

- Determine the ideal location for the TUB SPOUT and rough-in a well supported 1/2" NPT NIPPLE (**not supplied**) of appropriate length.

DIMENSION	VALUE
A	Ø 1-1/4" [32mm]
B	5/8" [16mm]

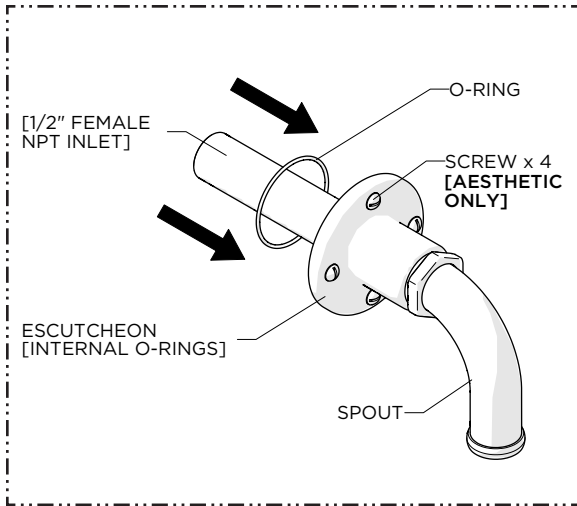


† For INTERNATIONAL USE ONLY,

- A 1/2" Male NPT x 1/2" Male BSPP ADAPTER (Style No. UNUK04) is provided for the SPOUT. The BSPP end of the ADAPTER may be field cut.

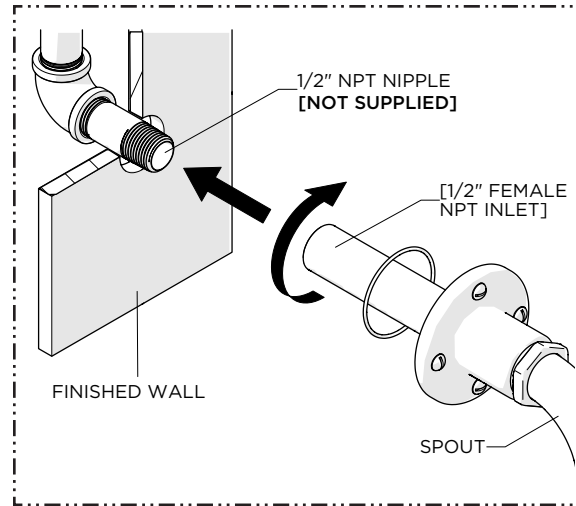
INSTALLATION GUIDELINES

WALL MOUNTED TUB SPOUT



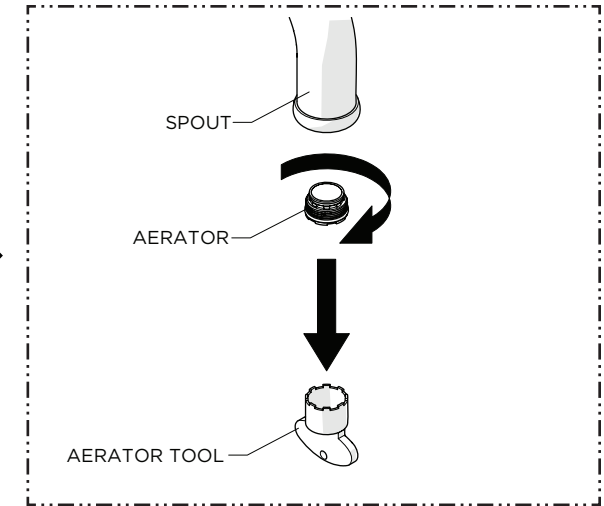
1. Slide the ESCUTCHEON and O-RING onto the SPOUT.

NOTE: Do **NOT** remove the 4 SCREWS on the ESCUTCHEON. They are **AESTHETIC ONLY**.

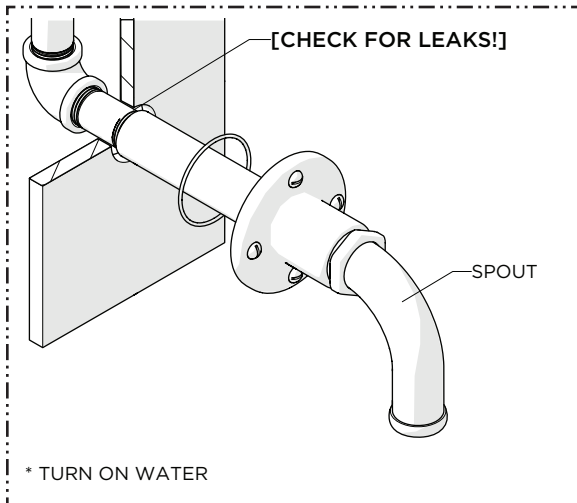


2. Making sure the NIPPLE (**not supplied**) is properly roughed-in, thread and securely tighten the SPOUT onto the NIPPLE.

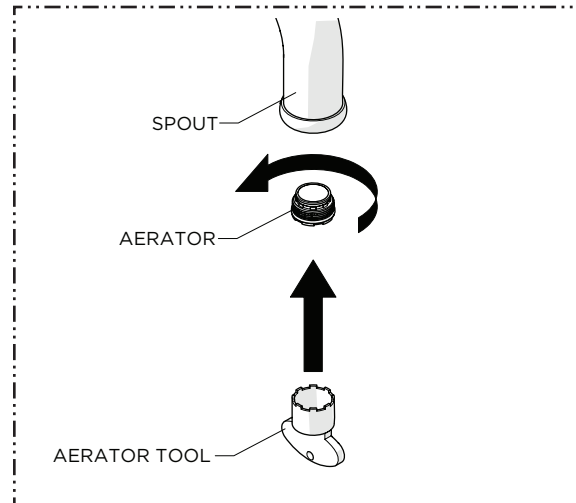
NOTE: For International installations, a BSPB ADAPTER, which may be field cut, is provided.



3. Using the TOOL provided, remove the AERATOR.

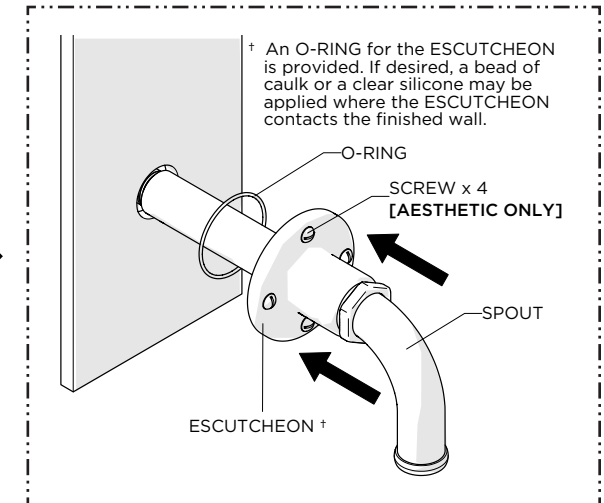


4. Turn on the water and a diverter/wall valve (sold separately) to flush out any debris in the supply line and inspect all connections for leaks then turn the water off.



5. Re-install the AERATOR.

NOTE: A replacement AERATOR (STYLE No. 999190) and KEY (STYLE No. 999191) can be ordered separately.



6. Slide the ESCUTCHEON down the SPOUT until it contacts the finished wall.

† An O-RING for the ESCUTCHEON is provided. If desired, a bead of caulk or a clear silicone may be applied where the ESCUTCHEON contacts the finished wall.