

## CLASSIC

## CLWP3R

Classic 60" x 31" x 20" Right Hand Whirlpool Rectangular Bathtub with End Drain



SHOWN IN CLASSIC 60" X 31" X 20" RIGHT HAND WHIRLPOOL RECTANGULAR BATHTUB WITH END DRAIN | CLWP3R

### TECHNICAL DETAILS

ADA Compliance: No  
Assembly Configuration: One Piece  
Bathing Type: Bathing, Soaking and Showering  
Depth/Width: 31"  
Drilling Option: None  
Electric Requirements: 16" high x 30" wide Access Panel  
Height: 20"  
Installation Type: Drop In or Undermount  
Item Weight Filled: 630.0 pounds  
Length: 60"  
Number Of Holes: Two Hole  
Overflow Opening: Yes  
Primary Material: Acrylic  
Single Or Double Ended: Single Ended  
Suggested Application: Bath

### INSPIRATION

Our Classic collection encompasses core elements for every bath. This collection is perfect for all design aesthetics.

### CODES & STANDARDS

cUL Model Number: 6031; ASME A112.19.7/CSA B45.10/UL 1795

### PRODUCT FEATURES

Constructed of high density acrylic which is the highest industry standard

The high density acrylic acts as a reinforcement and provided an overall thicker bathtub construction

### CERTIFICATIONS



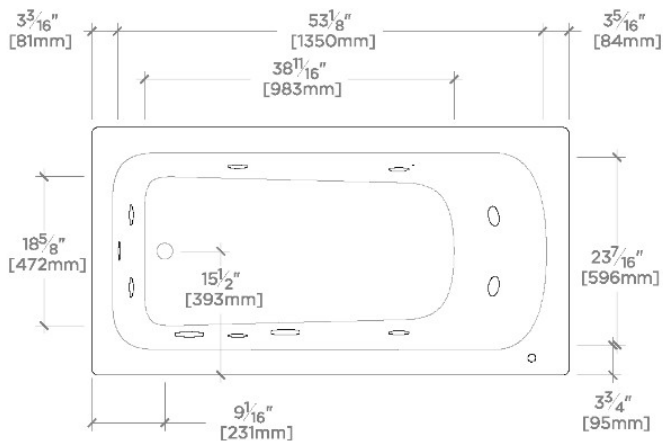
### PRODUCT (NOTES)

Dimensions of fixtures are nominal. Measure your actual product for rough-in details.

## CLASSIC

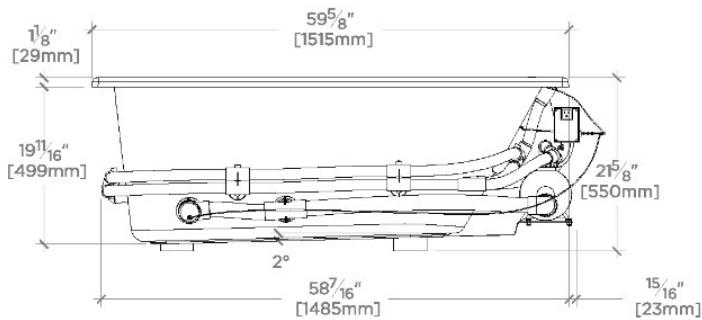
## CLWP3R

Classic 60" x 31" x 20" Right Hand Whirlpool Rectangular  
Bathtub with End Drain



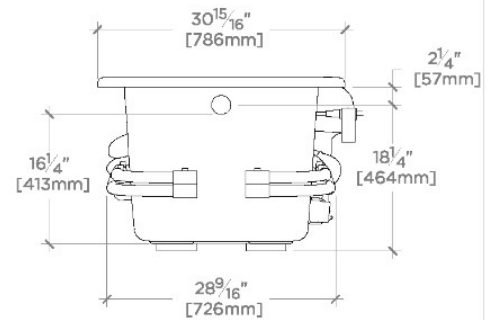
TOP VIEW

SCALE: 1/2"=1'-0"



SIDE VIEW

SCALE: 1/2"=1'-0"



END VIEW

SCALE: 1/2"=1'-0"