

Bond

BLS24A

Bond Tandem Series Gooseneck Lavatory Faucet with Guilloche Lines Knob Handles



SHOWN IN BOND TANDEM SERIES GOOSENECK LAVATORY FAUCET WITH GUILLOCHE LINES KNOB HANDLES | BLS24A

TECHNICAL DETAILS

ADA Compliance: Yes
 Deck Thickness Maximum: 43 mm
 Deck Thickness Minimum: 6 mm
 Drain Depth Maximum: 67 mm
 Drain Depth Minimum: 10 mm
 Drain Hole Diameter: 44 mm
 Drain Style: Push Touch
 Fittings Hole Diameter: 35 mm
 Flow Restriction Options: 1.2
 Handle Spread Maximum: 305 mm
 Handle Spread Minimum: 203 mm
 Handle Turn Angle: Quarter Turn
 Inlet Connection Size: 1/2"
 Inlet Connection Type: Male with Supply Nut
 Number Of Holes: Three Hole
 Primary Material: Brass
 Restricted Maximum Flow Rate: 4.5 liters/min
 Spout Swivel: N
 Valve Material: Ceramic
 Water Pressure Maximum: 6.0 bar
 Water Pressure Minimum: 1.5 bar
 Water Pressure Recommended: 3.0 bar

INSPIRATION

Modern designs infused with rare soul and artistry. Explore our wide range of Bond bath and kitchen elements, from fittings to fixtures to hardware.

CODES & STANDARDS

BLS24AX, NSF/ANSI/CAN 61:Q < 1, NSF/ANSI/CAN 372, ASME A112.18.1/CSA B125.1, CEC, State of MA

PRODUCT FEATURES

Knob Handles

Includes European size push touch drain

Features Linear Guilloche Etching Knob Handles

Stocked in Nickel and Brass

Available in 1.2gpm (4.5L/min) flow rate

CERTIFICATIONS



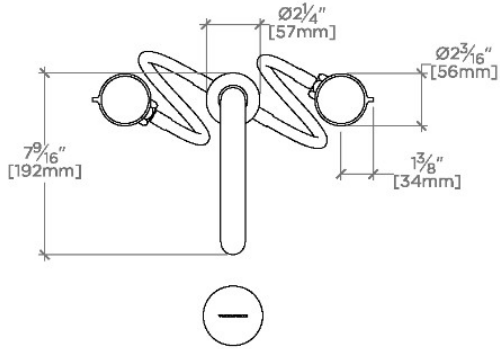
PRODUCT (NOTES)

WATERWORKS

Bond

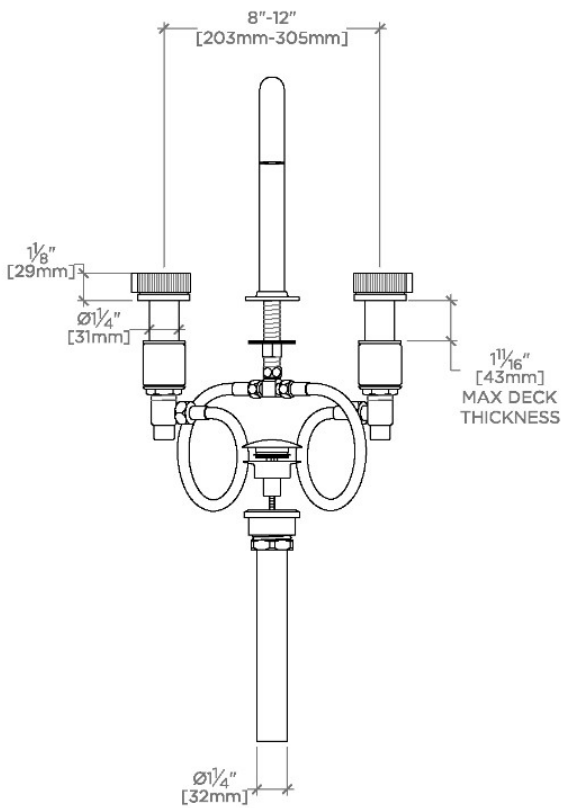
BLS24A

Bond Tandem Series Gooseneck Lavatory Faucet with
Guilloche Lines Knob Handles



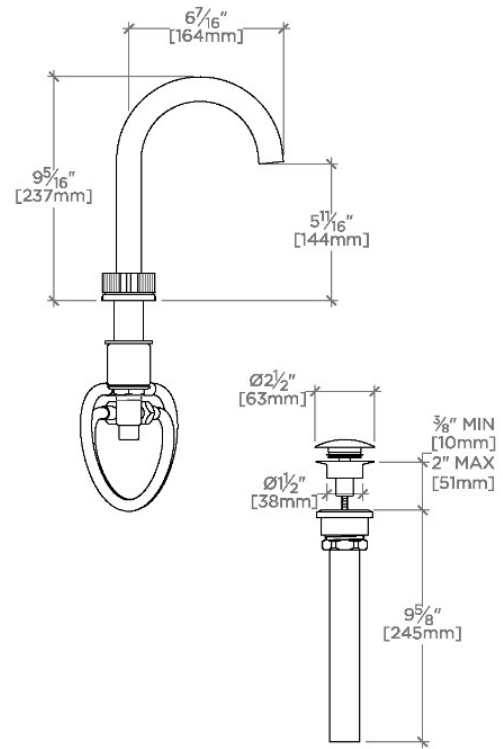
TOP VIEW

SCALE: $\frac{1}{2}"=1'-0"$



FRONT VIEW

SCALE: $\frac{1}{2}"=1'-0"$



SIDE VIEW

SCALE: $\frac{1}{2}"=1'-0"$