

## ROCKPORT

Rockport 1 1/4" Leather Strap Pull

RKHW01



SHOWN IN ROCKPORT 1 1/4" LEATHER STRAP PULL | RKHW01

### TECHNICAL DETAILS

---

Height: 95 mm  
Length: 32 mm

### INSPIRATION

---

Rockport offers a timeless combination of comfortable function and thoughtful detail. Pulls features saddle-stitched Italian leather handles secured with slender, hand-polished, solid brass hardware-the most handsome finishing touch

### PRODUCT FEATURES

---

Fine Italian, Vegetable-tanned Leather

Machine-stitched, hand-assembled in Europe

Offered in Tan leather

Includes per fixing: Machine Screw-POSI-Pan Head M4 X 25MM and Machine Screw-POSI-Pan Head M4 X 35MM

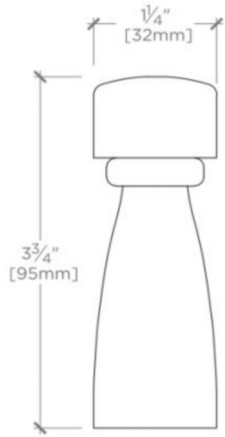
# WATERWORKS

## ROCKPORT

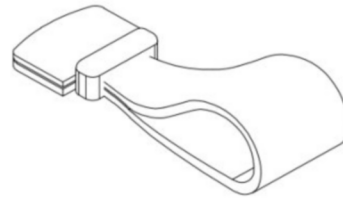
RKHW01

Rockport 1 1/4" Leather Strap Pull

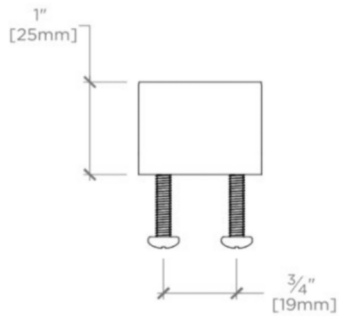
MOUNTING HARDWARE INCLUDED		
STYLE #	DESCRIPTION	QTY
998939	Service Parts Rear Fixing MACHINE SCREW-POSI-PAN HEAD M4 X 25MM	2
998940	Service Parts Rear Fixing MACHINE SCREW-POSI-PAN HEAD M4 X 35MM	2



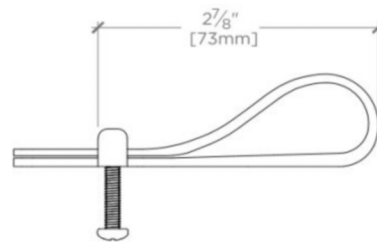
TOP VIEW SCALE: 6"=1'-0"



ISO VIEW SCALE: 6"=1'-0"



FRONT VIEW SCALE: 6"=1'-0"



SIDE VIEW SCALE: 6"=1'-0"