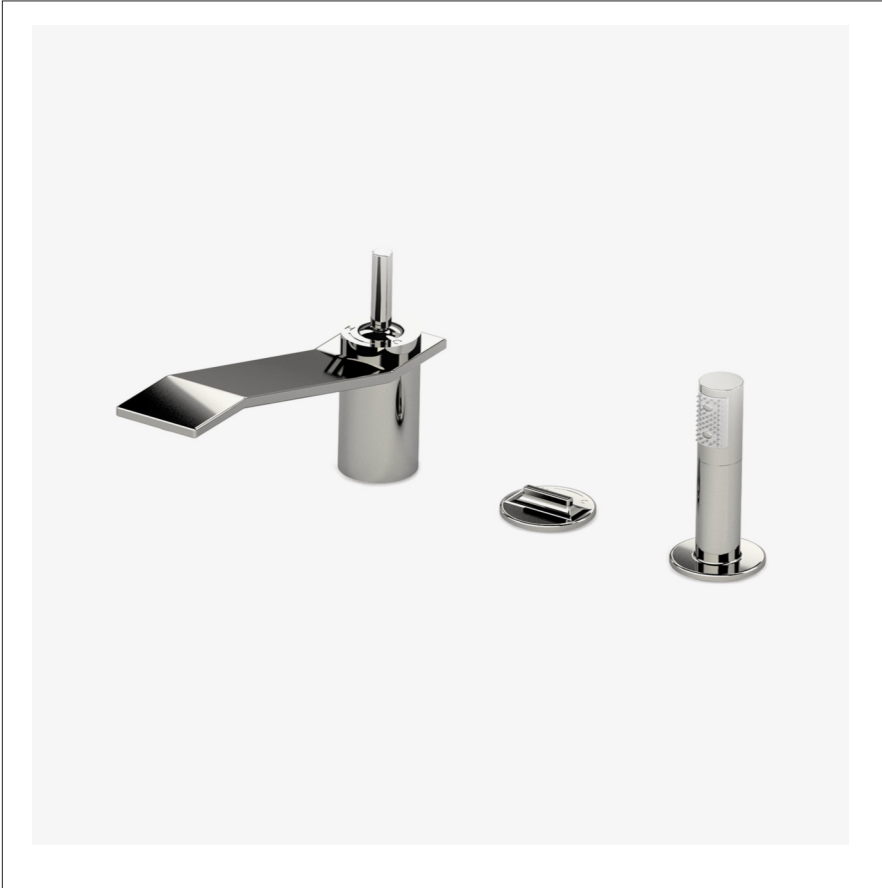


## FORMWORK

## FMXT50

Formwork Deck Mounted Exposed Tub Filler with Handshower and Metal Joystick Handle



### TECHNICAL DETAILS

Adjustable Shelves: N  
 Adjustable versus Fixed Spray: Fixed Spray  
 Escutcheon Primary Material: Brass  
 Flow Restriction Options: 2.5, 2.0, 1.75, 1.5, 0.92  
 Handle Turn Angle: Quarter Turn Each Way  
 Handshower / Spray Hose Length: 2.0 m  
 Index Marking: H/C  
 Inlet Connection Size: 1/2"  
 Inlet Connection Type: Female Hose Connection  
 Installation Type: Deck Mounted  
 Integrated Diverter: N  
 Integrated Spray: N  
 Number of Handles: One  
 Number of Holes: Three Hole  
 Pivot: N  
 Primary Material: Brass  
 Spout Swivel: N  
 Spray Included in Unit: N  
 Suggested Application: Bath  
 Valve Material: Ceramic  
 Water Pressure Maximum: 6.0 bar  
 Water Pressure Minimum: 1.5 bar  
 Water Pressure Recommended: 3.0 bar

### INSPIRATION

Sculptural forms that defy the ordinary. Unexpected geometry and the transition of the planes create a subtle but warm expression.

### CODES & STANDARDS

Code # FMXT50X: Certified with cUPC, NSF, IAPMO, CSA

### PRODUCT FEATURES

Joystick Handle allows for easy, one-handed operation

Unrestricted (spout) water flow of approximately 8-10 gallons per minute (gpm) and handshower water flow of 2.5 gpm

Includes floor unions

Independent Progressive Valve allows bather to independently control water to handshower

Stocked in 2.5gpm (9.5 L/min) and 1.75gpm (6.6 L/min) for handshower. State of California requires 1.75gpm (6.6 L/min) to comply with their water conservation requirements. Other flow options are available to order, contact your sales associate or call 1 (800) 899-6757 for details.

### CERTIFICATIONS

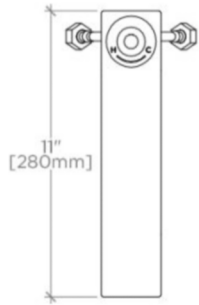


# WATERWORKS

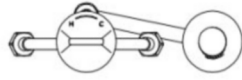
## FORMWORK

## FMXT50

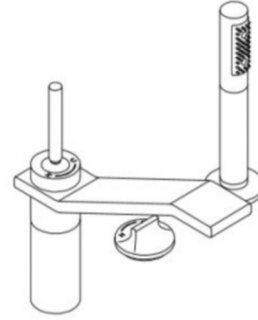
Formwork Deck Mounted Exposed Tub Filler with Handshower and Metal Joystick Handle



TOP VIEW

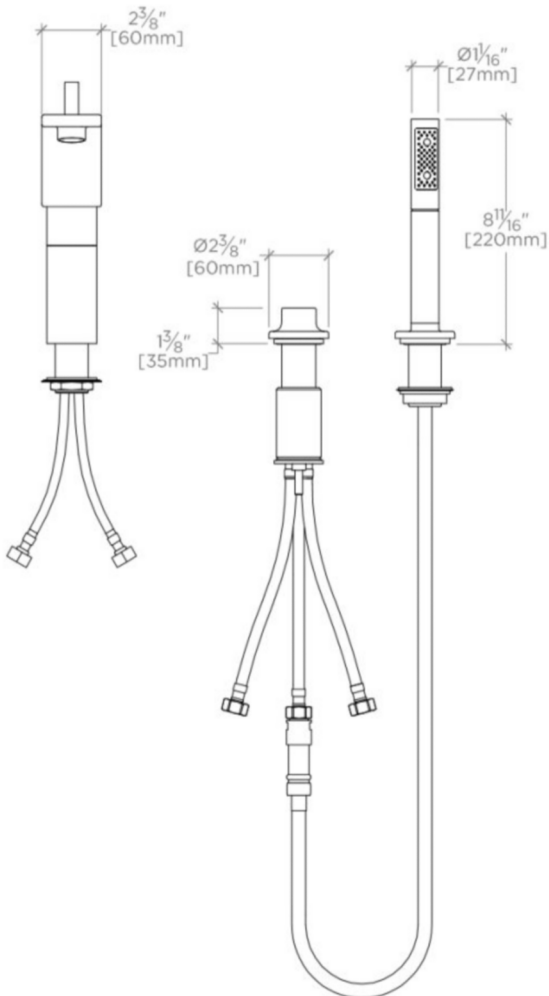


SCALE: 1/2"=1'-0"



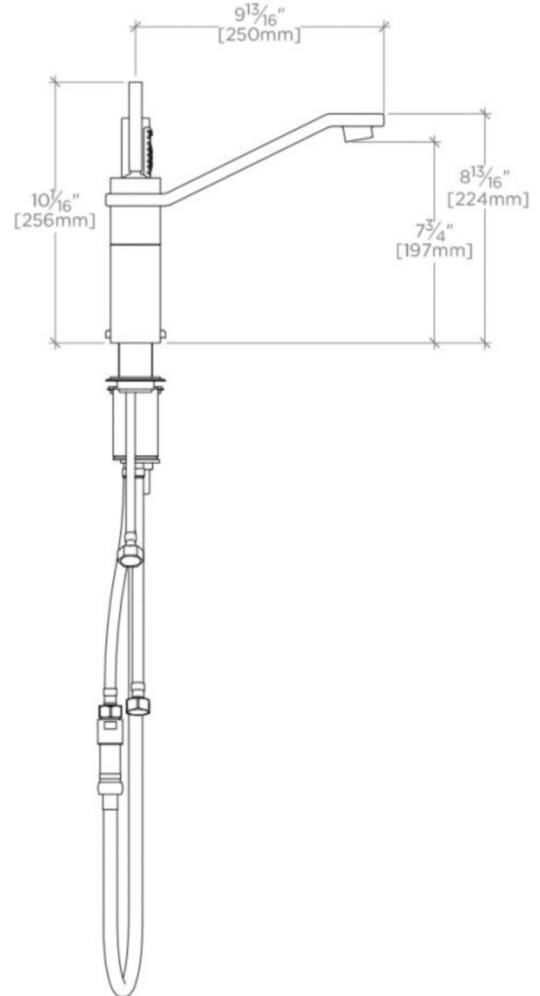
ISO VIEW

SCALE: 1/2"=1'-0"



FRONT VIEW

SCALE: 1/2"=1'-0"



SIDE VIEW

SCALE: 1/2"=1'-0"