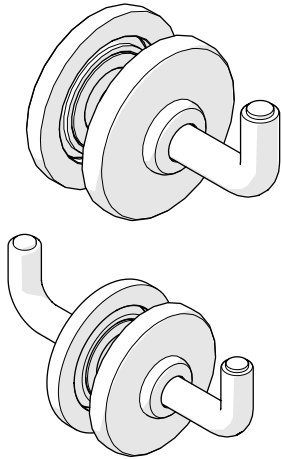


INSTALLATION GUIDELINES

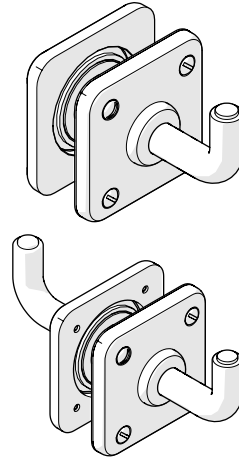
GLASS MOUNTED ROBE HOOK

LUDLOW SINGLE OR DOUBLE SIDED GLASS MOUNTED HOOK



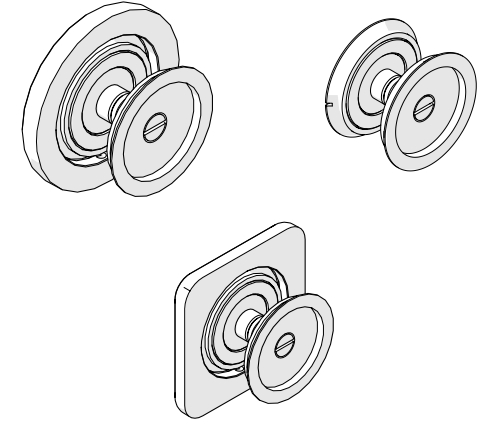
STYLES	
LD15G1 [SHOWN]	LD15G2 [SHOWN]

LUDLOW VOLTA SINGLE OR DOUBLE SIDED GLASS MOUNTED TOWEL BAR



STYLES	
LDRHG1 [SHOWN]	LDRHG2 [SHOWN]

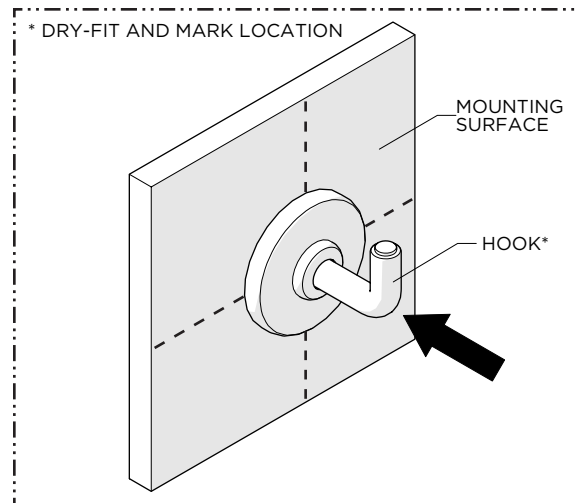
SINGLE OR DOUBLE SIDED GLASS MOUNTED ADAPTER



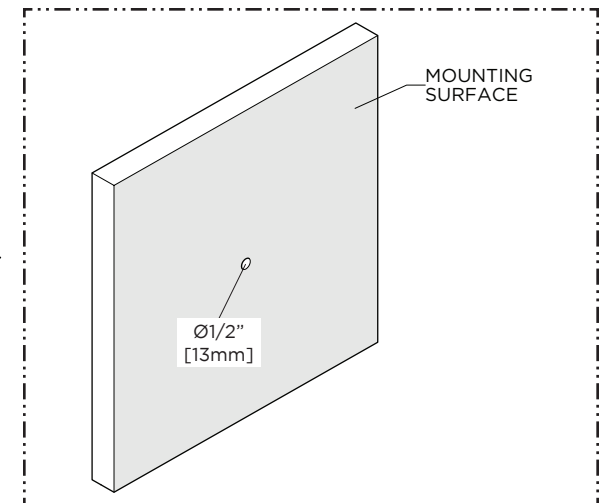
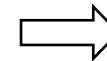
STYLES		
100705	100726	100755

IMPORTANT:

- To ensure this product is installed properly, you must read and follow these guidelines.
- The owner/user of this product must keep this information for future reference.
- This product must be installed by a professional licensed contractor.
- Inspect this product to ensure you have all the parts required for proper installation.
- DRYWALL ANCHORS for a typical drywall installation are provided. Do **NOT** use the ANCHORS if mounting directly onto wood blocking or a stud.
- If further assistance is required, please contact Product Support at 1-800-927-2120 Monday through Friday, 8am - 6pm EST.
- Refer to the separate Service Parts Documents for available replacement parts.



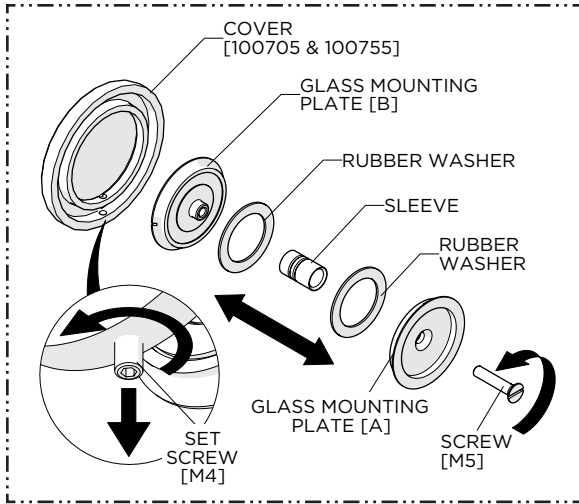
1. Dry-fit the ROBE HOOK to the MOUNTING SURFACE and mark the ideal location.



2. Ensure any pre-drilled hole is a 1/2" [13mm] on the MOUNTING SURFACE.

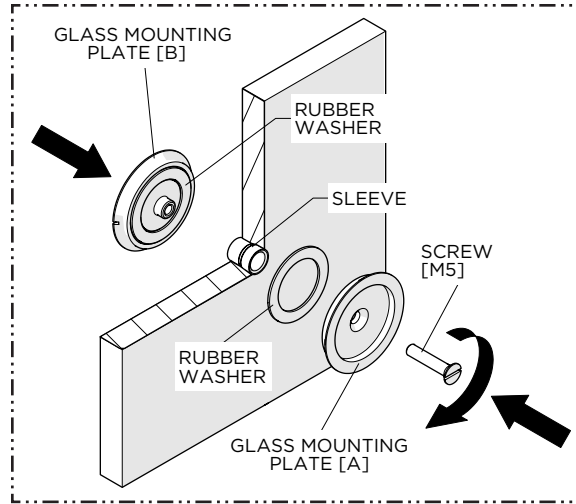
INSTALLATION GUIDELINES

GLASS MOUNTED TOWEL BAR



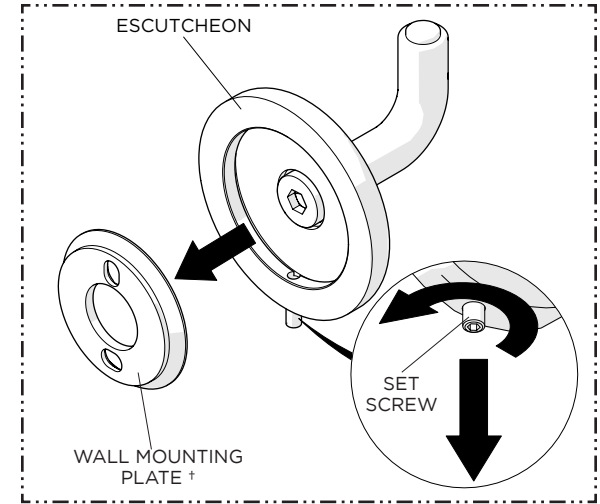
3. Disassemble the ADAPTER components by unthreading the SCREW on the GLASS MOUNTING PLATE [A].

NOTE: Remove the COVER used on style numbers 100705 & 100755 by loosening the SET SCREW.



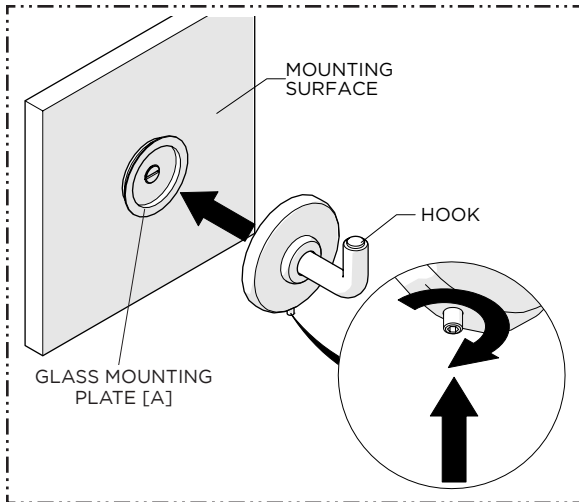
4. Insert the SLEEVE into the pre-drilled hole, then reassemble the GLASS MOUNTING PLATES using the provided SCREW and RUBBER WASHERS.

NOTE: The SLEEVE can be cut and two SCREWS [M5] are provided to accommodate different glass thicknesses.

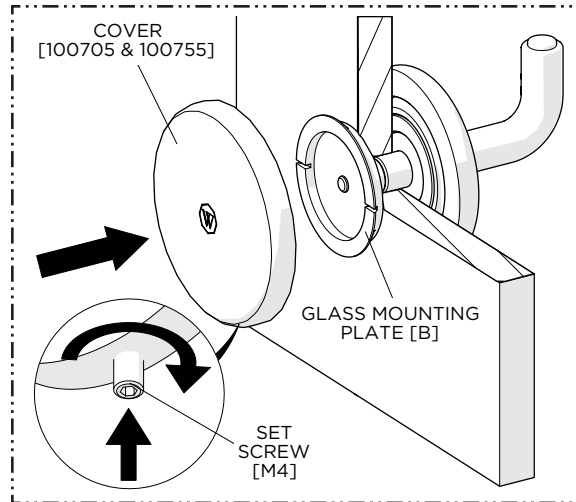


5. Loosen, but do **NOT** remove, the SET SCREW on the side of the ROBE HOOK.

† **NOTE:** Replace the WALL MOUNTING PLATE with the GLASS ADAPTER MOUNTING PLATE.

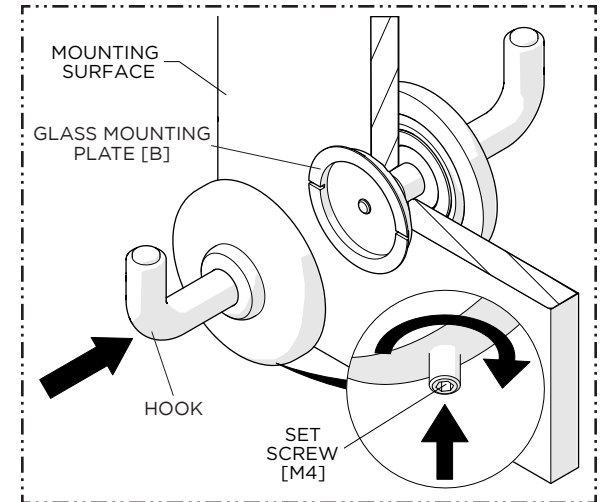


6. With proper orientation, place the HOOK onto the GLASS MOUNTING PLATE, securely tighten the SET SCREW using 1/16" [1.5mm] HEX key.



FOR STYLE No. LD15G1 or LDRHG1 ONLY:

7. With proper orientation, reattach the COVER using the SET SCREW.



FOR STYLE No. LD15G2 or LDRHG2 ONLY:

8. Repeat Step 5 and 6 for installing the ROBE HOOK on the other side.