

## FINOT

Finot Handshower on Bar

## NOHS10



SHOWN IN FINOT HANDSHOWER ON BAR | NOHS10

### TECHNICAL DETAILS

ADA Compliance: When installed per ADA guidelines  
 Adjustable Versus Fixed Spray: Fixed Spray  
 Fittings Hole Diameter: 1 3/8"  
 Handshower Spray Hose Length: 60"  
 Inlet Connection Size: 1/2"  
 Inlet Connection Type: Female NPT  
 Integrated Diverter: N  
 Pivot: Y  
 Primary Material: Brass  
 Restricted Maximum Flow Rate: 1.75 gpm  
 Water Pressure Maximum: 85.0 psi  
 Water Pressure Minimum: 20.0 psi  
 Water Pressure Recommended: 45.0 psi

### INSPIRATION

Finot seamlessly blends meticulous details with contemporary sensibility. A true integration of design and engineering expertise, this collection is comprised of parts that are decisively cast and forged to achieve painstaking precision and refinement.

### CODES & STANDARDS

NOHS10-F.RX, ASME A112.18.1/CSA B125.1, Waterworks Handshowers use check valves compliant to ASME A112.18.3 for backflow protection. CEC(1.5GPM & 1.75GPM Only), DOE, State of MA

### PRODUCT FEATURES

Features a Fixed Spray Pattern

Available in 1.75gpm (6.6L/min) Flow Rate

Stocked In Chrome, Nickel, Brass and Dark Nickel

### CERTIFICATIONS

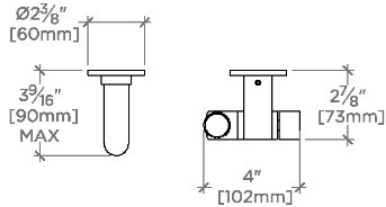


### PRODUCT (NOTES)

## FINOT

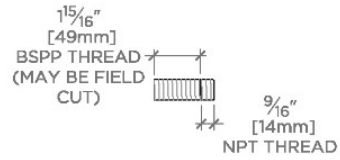
NOHS10

Finot Handshower on Bar

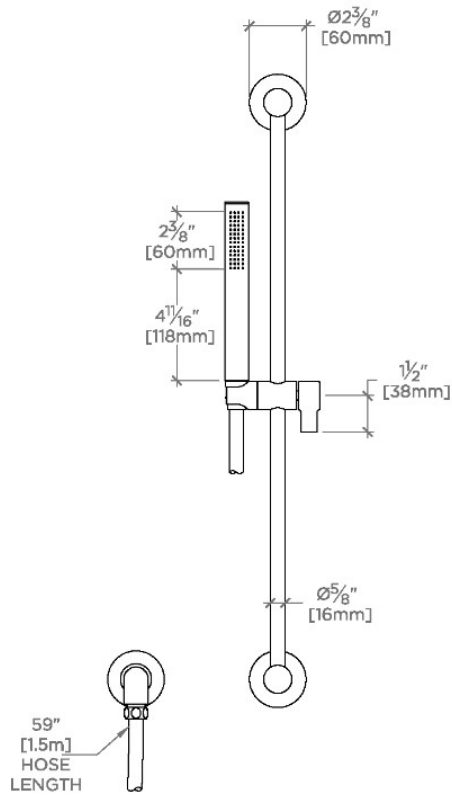


TOP VIEW

SCALE: 1/2"=1'-0"

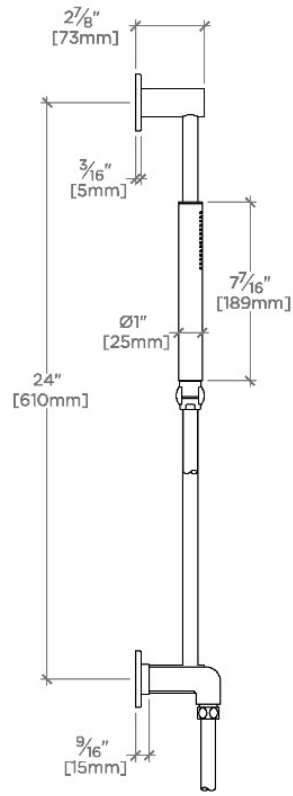


ADAPTER INCLUDED-  
INTERNATIONAL USE ONLY



FRONT VIEW

SCALE: 1/2"=1'-0"



SIDE VIEW

SCALE: 1/2"=1'-0"