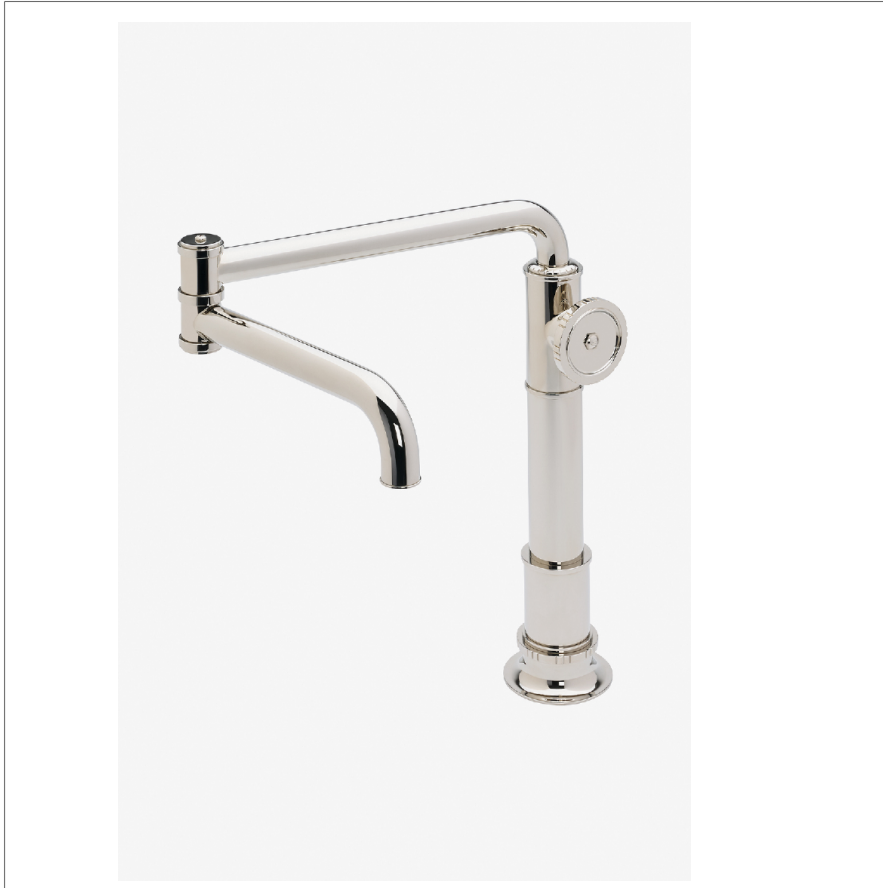


## Henry Chronos

CPF201

Henry Chronos Deck Mounted Articulated Pot Filler with Wheel Handle



SHOWN IN HENRY CHRONOS DECK MOUNTED ARTICULATED POT FILLER WITH WHEEL HANDLE | CPF201

### TECHNICAL DETAILS

Deck Thickness Maximum: 67 mm  
 Fittings Hole Diameter: 44 mm  
 Handle Turn Angle: Quarter Turn  
 Inlet Connection Size: 3/8"  
 Inlet Connection Type: Compression Connection  
 Hoses  
 Spout Swivel: Y  
 Valve Material: Brass and Ceramic  
 Water Pressure Maximum: 6.0 bar  
 Water Pressure Minimum: 1.5 bar  
 Water Pressure Recommended: 3.0 bar

### INSPIRATION

Inspired by dive watches, Henry Chronos radiates design prowess and technical precision. Chronos retains the design integrity of our original, iconic Henry collection, while imbuing it with modern details and exquisite materials.

### CODES & STANDARDS

CPF201X, NSF/ANSI/CAN 61:Q < 1, NSF/ANSI/CAN 372, ASME A112.18.1/CSA B125.1

### PRODUCT FEATURES

Features Wheel Handle

Stocked in Chrome, Nickel, and Brass

Deck Mounted Articulated spout offers cold water only

### CERTIFICATIONS

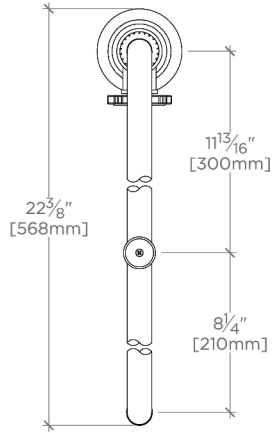


### PRODUCT (NOTES)

## Henry Chronos

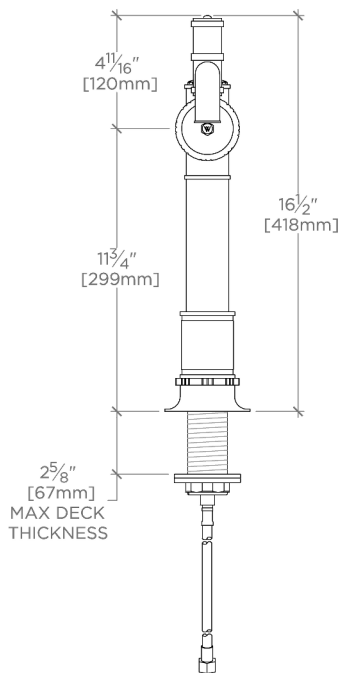
CPF201

Henry Chronos Deck Mounted Articulated Pot Filler with Wheel Handle



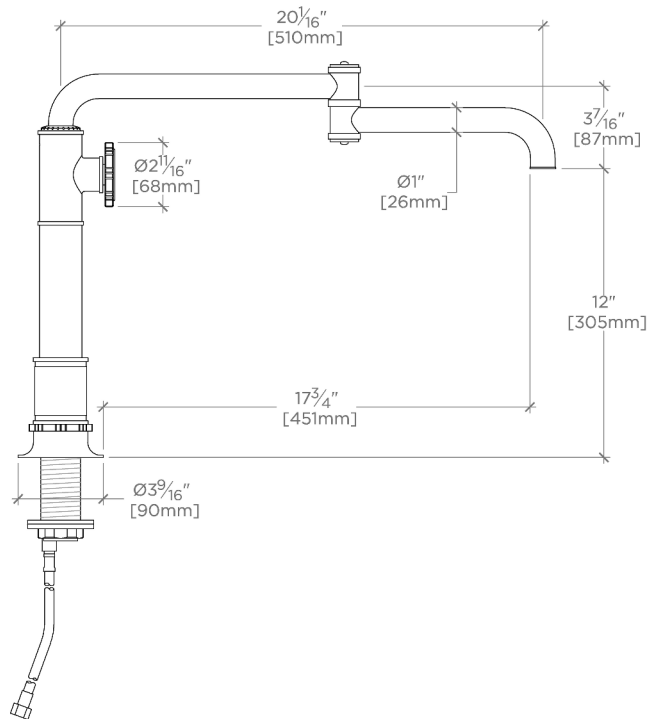
TOP VIEW

SCALE: 1/2"=1'-0"



FRONT VIEW

SCALE: 1/2"=1'-0"



SIDE VIEW

SCALE: 1/2"=1'-0"