

Bond

BKM12S

Bond Rally One Hole Gooseneck Integrated Pull Spray Kitchen Faucet with Lever Handle



SHOWN IN BOND RALLY ONE HOLE GOOSENECK INTEGRATED PULL SPRAY KITCHEN FAUCET WITH LEVER HANDLE | BKM12S

TECHNICAL DETAILS

ADA Compliance: Yes
 Adjustable Versus Fixed Spray: Adjustable
 Deck Thickness Maximum: 57 mm
 Deck Thickness Minimum: 6 mm
 Fittings Hole Diameter: 38 mm
 Handle Turn Angle: Tilt and Turn
 Handshower Spray Hose Length: 1.5 m
 Inlet Connection Size: 3/8"
 Inlet Connection Type: Compression Connection
 Hoses
 Integrated Diverter: Y
 Restricted Maximum Flow Rate: 6.6 liters/min
 Spout Swivel: Y
 Spray Included In Unit: Y
 Valve Material: Ceramic
 Water Pressure Maximum: 6.0 bar
 Water Pressure Minimum: 1.5 bar
 Water Pressure Recommended: 3.0 bar

INSPIRATION

Bond draws inspiration from the Aesthetic Movement, rare vintage lighters, and modern industrial design. The result is a contemporary collection with a soulful quality that inhabits the full range of modern style, from austere minimalism to warm contemporary.

CODES & STANDARDS

BKM12SX, NSF/ANSI/CAN 61:Q < 1, NSF/ANSI/CAN 372, ASME A112.18.1/CSA B125.1, CEC, State of MA, NOM-012, WRAS

PRODUCT FEATURES

Lever Handle

Two Function Integrated Pull Spray operated by a sliding button, switches from aerated stream to jet spray. The button returns to aerated stream when disengaged and remains in spray mode without holding down

Features a Sport Black Finish, smooth and velvety to the touch

Stocked in Chrome/Sport Black

CERTIFICATIONS



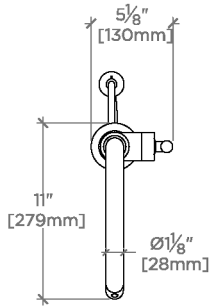
PRODUCT (NOTES)

WATERWORKS

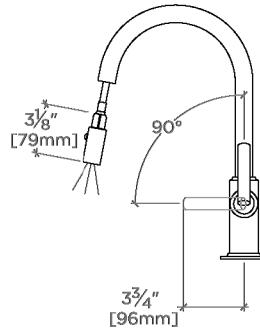
Bond

BKM12S

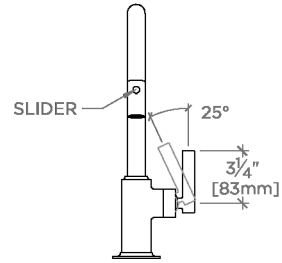
Bond Rally One Hole Gooseneck Integrated Pull Spray Kitchen Faucet with Lever Handle



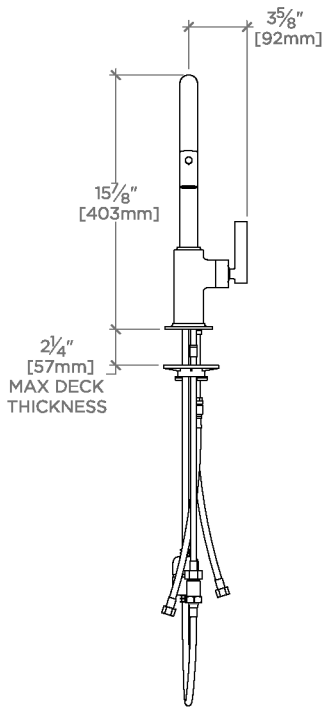
TOP VIEW SCALE: 1"=1'-0"



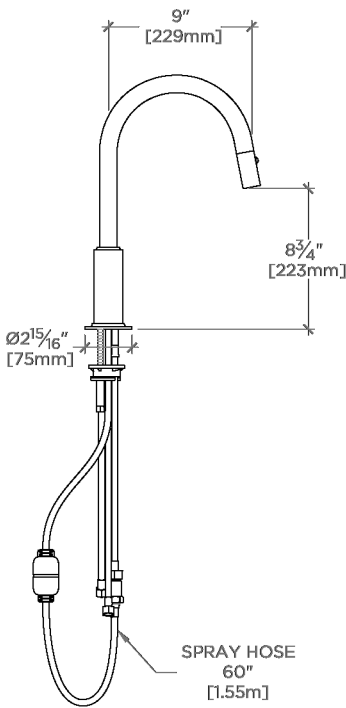
SPRAY AND HANDLE OPERATION SCALE: 1"=1'-0"



SCALE: 1"=1'-0"

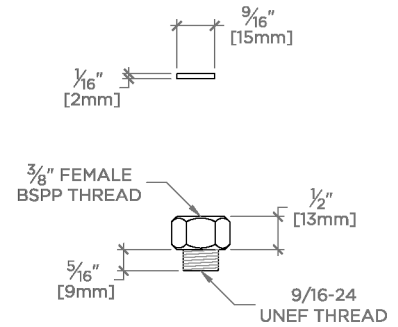


FRONT VIEW SCALE: 1"=1'-0"



SIDE VIEW SCALE: 1"=1'-0"

NOTE:
ADAPTER AND GASKET (x2) INCLUDED -
INTERNATIONAL USE ONLY



ADAPTER NOT TO SCALE