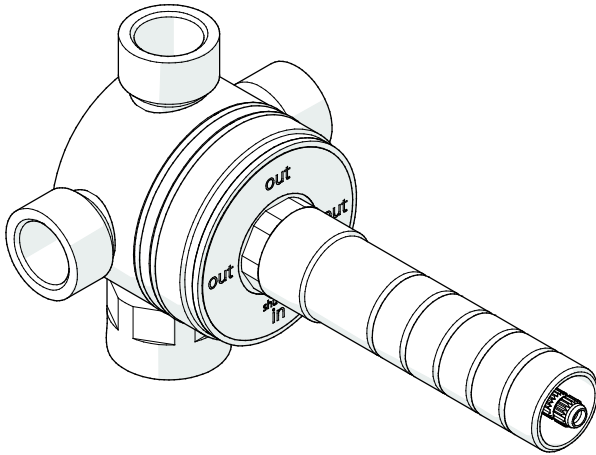


**STYLE No.** GUDV66, GU66DV †



### **SPECIFICATIONS:**

Fittings Hole Diameter: Ø2-1/2" [Ø64mm]\*  
Inlet Connection: 3/4" Female NPT †  
Outlet Connection: 1/2" Female NPT †  
Unrestricted Max Flow Rate @ 45psi [3bar]: 16.9gpm [64L/min]

Valve Material: Ceramic  
Water Pressure Maximum: 85psi [6.0bar]  
Water Pressure Minimum: 20psi [1.5bar]  
Water Pressure Recommended: 45psi [3.0bar]

\* Ø2-1/2" [Ø64mm] hole is required for servicing.

† UK Style No. **GU66DV** is supplied with 4 **BSP** ADAPTERS, assembly required.

### **REQUIRED PLUMBING DETAILS:**

ViaWorks 3/4" Thermostatic Valve, or  
**STYLE No.** GUTH37, GUTH38, GUTH78

ViaWorks 1/2" Thermostatic Valve  
**STYLE No.** GUTH60

### **IMPORTANT:**

- To ensure this DIVERter VALVE is installed properly, you must read and follow these guidelines.
- The owner/user of this DIVERter VALVE must keep this information for future reference.
- This DIVERter VALVE **must** be paired with a THERMOSTATIC VALVE (sold separately).
- This DIVERter VALVE, the THERMOSTATIC VALVE, and associated TRIMS must be installed by a professional licensed contractor and must be on-site prior to rough-in, this allows the installer to visualize the installation.
- The VALVE rough-in depth is measured from the center of the inlets to the surface of the finished wall and **VARIES** depending on the TRIM being used. **ALL VALVES AND TRIMS SOLD SEPARATELY.**

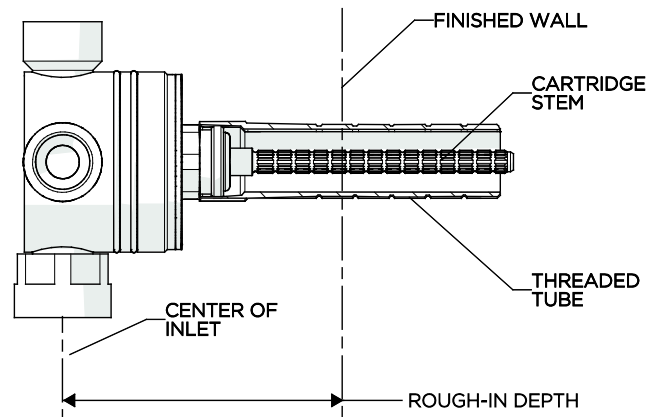
- Inspect this DIVERter VALVE to ensure you have all the parts required for proper installation. This VALVE is sold partially assembled but shown fully disassembled for illustrative and service purposes only.
- Be sure your installation conforms to all federal, state, and local codes. In the State of Massachusetts, all installations must comply with the rules and regulations set forth within 248 CMR.

### **FUNCTION:**

- The THERMOSTATIC VALVE (sold separately) only mixes hot and cold water, it does not have an on/off or volume control function. Mixed water flows out at a fixed volume to the DIVERter VALVE which has 4 positions:
  - 3 that can direct water flow to a maximum of 3 devices. Water **cannot** flow out of the devices simultaneously (i.e. out of the shower head AND handshower together).
  - 1 position that shuts the water off to all devices.

### **ROUGH-IN:**

- Check incoming water pressure.
- **CAUTION: Refer to the Installation Guidelines of the specific DIVERter VALVE TRIM being used for the MAXIMUM and MINIMUM rough-in depth dimensions.**
- **CAUTION:** The DIVERter VALVE TRIM components (i.e. HANDLE and TRIM PLATE) may be packaged separately from each other.
- **CAUTION:** The DIVERter VALVE rough-in depth is measured from the center of the inlets to the surface of the finished wall (see Figure - 01) and **VARIES** depending on the TRIM used.



**FIGURE - 01**

1. From the THERMOSTATIC VALVE being used, run a copper supply line to the proper height of the DIVERter VALVE inlet and be sure to secure all piping and fittings.
2. Install the DIVERter VALVE making sure it's positioned according to the **VALVE MARKINGS** so that mixed water flows into the inlet.

These guidelines have been prepared for the professional contractor to aid in the installation of:  
**VIAWORKS THREE WAY DIVERter VALVE FOR THERMOSTATIC SHOWER SYSTEMS (STYLE NO. GUDV66 & GU66DV).**  
All dimensions are based on original specification and are subject to change and variation.  
Please consult your Design Associate for current specifications.

# WATERWORKS

- Run 1/2" [15mm] copper supply lines from the outlet ports to the 3 desired devices.

**CAUTION:** When the DIVERTER VALVE is paired with a DIVERTER VALVE TRIM that has **SPECIFIC DEVICE MARKINGS**, it is crucial that the outlet ports are correctly plumbed to those SPECIFIC DEVICES (i.e. handshower shower head, and tub spout). See Figure - 02.

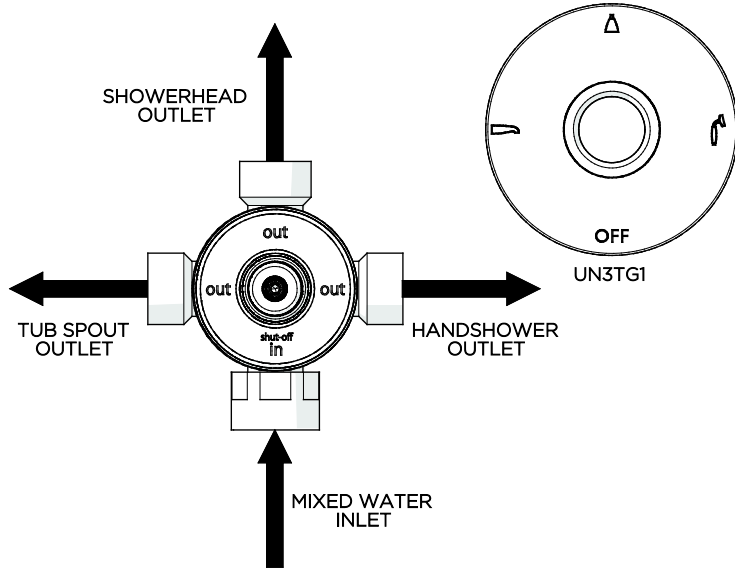


FIGURE - 02

**INSPECT THE INSTALLATION:**

- Turn on the water supply and inspect all connections for leaks and verify all VALVES are functioning properly.
- Allow the water to run so the supply lines can be flushed completely then turn the water off and attach the STEM EXTENSION to the CARTRIDGE STEM with the SCREW provided.
- Install the TILE GUARD to protect the DIVERTER VALVE during the completion of the finished wall and to create the exact opening to ensure access to the CARTRIDGE for future servicing.

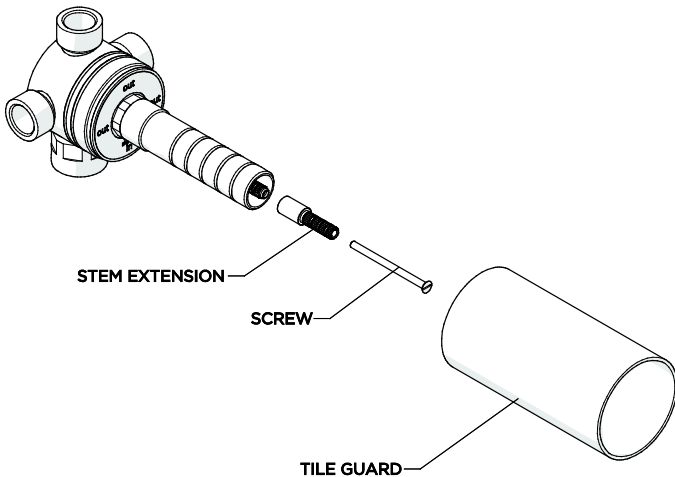


FIGURE - 03

**TRIM INSTALLATION:**

- The CARTRIDGE STEM and THREADED TUBE on the DIVERTER VALVE can be cut to various lengths but depend on the TRIM being used. **Refer to the Installation Guidelines of the specific DIVERTER VALVE TRIM being used for cutting dimensions and related information.**

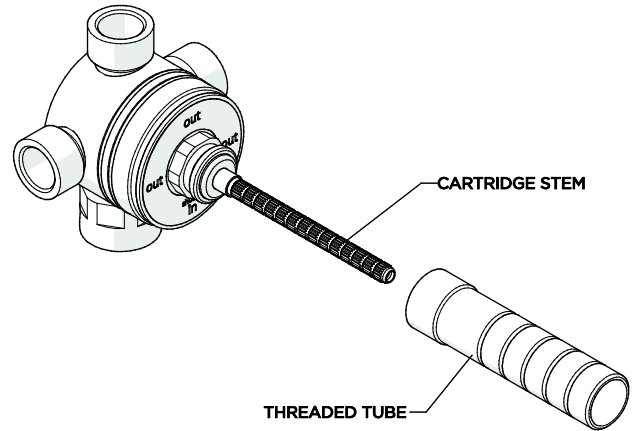


FIGURE - 04

- If further assistance is required, please contact Product Support at 1-800-927-2120 Monday through Friday, 8am - 6pm EST.
- Refer to the separate Service Parts Documents for available replacement parts.
- † BSPP Adapters can be ordered separately:
  - Universal 3/4" Male NPT x 3/4" Female BSPP Adapter **STYLE No. UNUK01**
  - Universal 1/2" Male NPT x 1/2" Female BSPP Adapter **STYLE No. UNUK02**

These guidelines have been prepared for the professional contractor to aid in the installation of: **VIAWORKS THREE WAY DIVERTER VALVE FOR THERMOSTATIC SHOWER SYSTEMS (STYLE NO. GUDV66 & GU66DV).** All dimensions are based on original specification and are subject to change and variation. Please consult your Design Associate for current specifications.