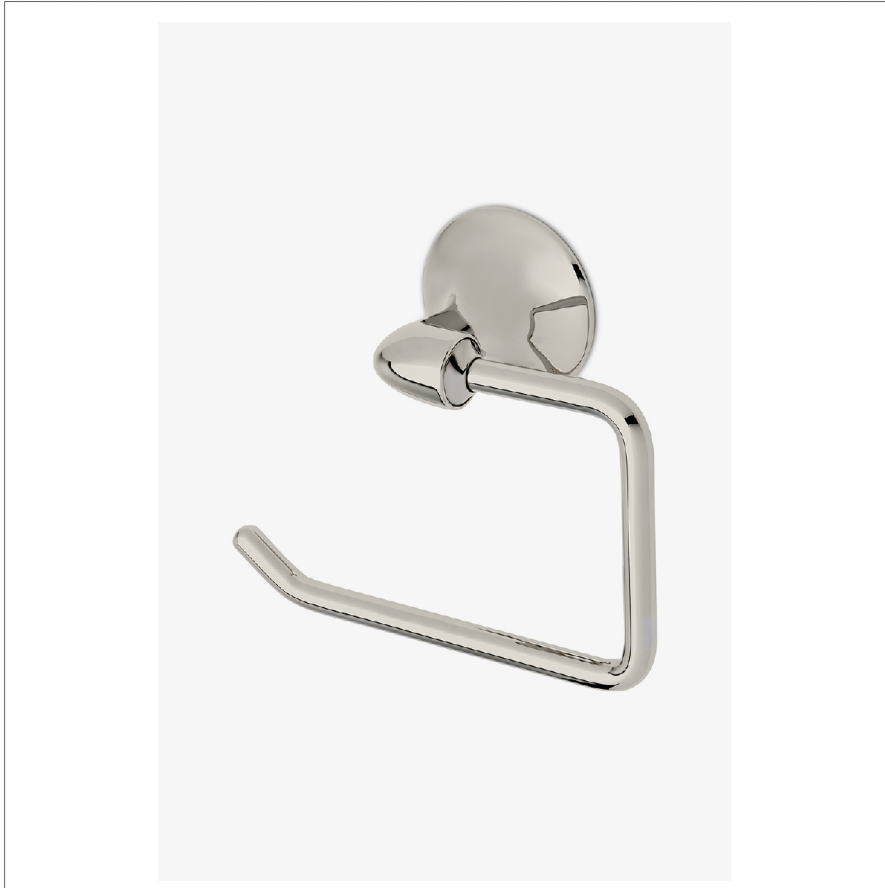


RIVERUN

RRPH01

Riverun Wall Mounted Swing Arm Paper Holder



SHOWN IN RIVERUN WALL MOUNTED SWING ARM PAPER HOLDER | RRPH01

TECHNICAL DETAILS

Primary Material: Brass

INSPIRATION

This new American classic was designed with simplicity in mind. Featuring streamlined forms and honest details, it's the epitome of quiet elegance.

CODES & STANDARDS

PRODUCT FEATURES

All mounting hardware included

Solid brass construction

Stocked in Nickel and Brass

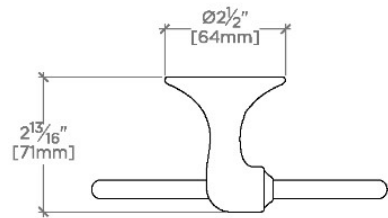
CERTIFICATIONS

PRODUCT (NOTES)

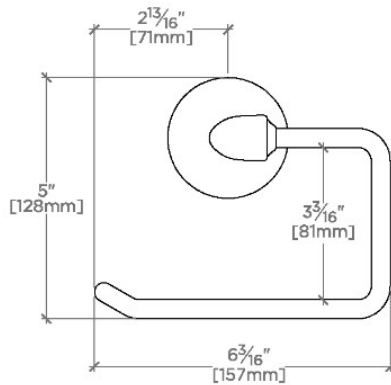
RIVERUN

RRPH01

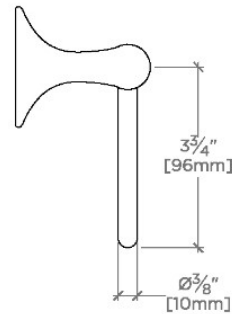
Riverun Wall Mounted Swing Arm Paper Holder



TOP VIEW SCALE: 3"=1'-0"



FRONT VIEW SCALE: 3"=1'-0"



SIDE VIEW SCALE: 3"=1'-0"