

ViaWorks

GU25LV

ViaWorks 1/2" Lavatory Wall Mounted Valve (used with Lever Handle Lavatory Faucets)



SHOWN IN VIAWORKS 1/2" LAVATORY WALL MOUNTED VALVE (USED WITH LEVER HANDLE LAVATORY FAUCETS) | GU25LV

TECHNICAL DETAILS

Depth/Width: 152 mm
Fittings Hole Diameter: 35 mm
Handle Spread Maximum: 203 mm
Handle Spread Minimum: 203 mm
Handle Turn Angle: Quarter Turn
Height: 70 mm
Inlet Connection Size: 1/2"
Inlet Connection Type: Female G/BSPP
Installation Type: Wall Mounted
Length: 254 mm
Outlet Connection Size: 1/2"
Outlet Connection Type: Female G/BSPP
Primary Material: Brass
Suggested Application: Bath
Valve Material: Ceramic
Water Pressure Maximum: 6.0 bar
Water Pressure Minimum: 1.5 bar
Water Pressure Recommended: 3.0 bar

INSPIRATION

The ViaWorks collection encompasses all Waterworks valves, which are just as impeccably engineered as our legendary fittings and the finest the industry has to offer in terms of performance, features and functionality. ViaWorks valves are engineered with more than three generations of bath and kitchen expertise, each with installers and lifelong service in mind.

CODES & STANDARDS

Code # : ASME A112.18.1 / CSA B125.1, State of MA, UL

PRODUCT FEATURES

This counter-clockwise open and clockwise open cartridge rough is for use with Waterworks lever handled wall mounted faucets

1/2" NPT male inlet and 1/2" NPT female outlet, with quarter turn functionality

6 gpm (gallons per minute) unrestricted maximum flow at 60 psi

Provides convenience of a Wall Mount lavatory installation

Made in Europe of Brass Construction

CERTIFICATIONS

PRODUCT (NOTES)

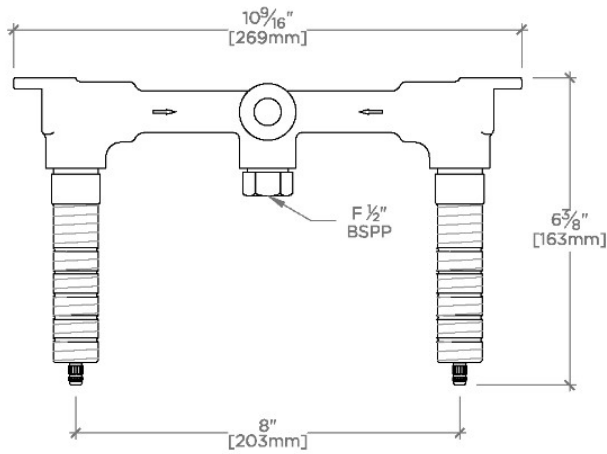
WATERWORKS

ViaWorks

GU25LV

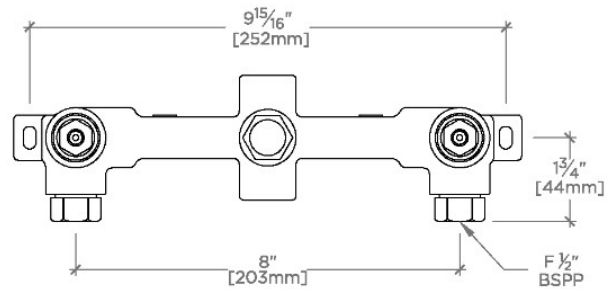
ViaWorks 1/2" Lavatory Wall Mounted Valve (used with Lever Handle Lavatory Faucets)

ADAPTER(S) PACKAGED SEPARATELY		
ADAPTER	DESCRIPTION	QTY
UNUK02	1/2" MALE NPT x 1/2" FEMALE BSPP ADAPTER	3



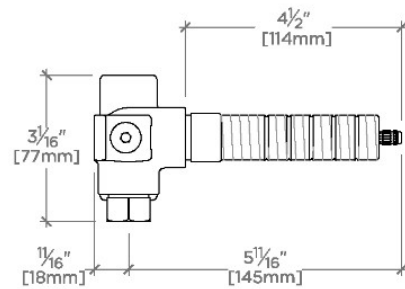
TOP VIEW

SCALE: 3"=1'-0"



FRONT VIEW

SCALE: 3"=1'-0"



SIDE VIEW

SCALE: 3"=1'-0"