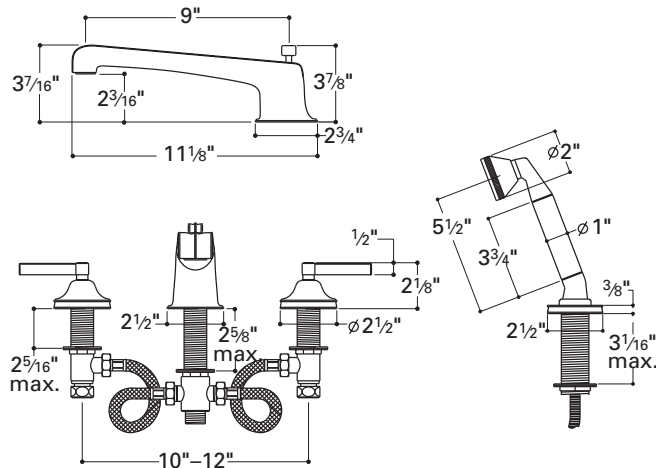


BDTU88-K



Note:

- Inlets: 3/4" straight male thread-NPT adaptors provided
- Drilling hole size: 1 1/2"

NOTES

- Use only a protected, smooth-jawed, or strap wrench on any finished surface.
- For proper installation, the deck surface should be installed prior to mounting the mixer.
- It is recommended that an access panel be provided for future servicing.
- Check the specifications (left) for drilling hole sizes and suggested centers.
- Run 3/4" supply lines for maximum water flow.
- Accessible shut-off valves, which will facilitate servicing, are recommended for the hot and cold feed lines.

INSTALLATION

- To remove the handle trim from the valve body, unscrew the cover and pull off the handle and cover together (see fig. 1).
- DO NOT use putty on deck fittings. Upper and lower washers are provided.
- Insert valve body through mounting hole and screw the cover down until fully seated. Then, tighten bottom locking nut to secure the valve to the deck. Repeat for other valve assembly.
- Remove the locking nut, gasket and tee assembly from the spout shank, and insert spout through the mounting hole.
- Re-attach the locking nut and gasket to spout shank, and tighten until the spout is secured.
- Re-attach the tee assembly, using the gasket provided.
- Install the flexible supply hoses between the valve bodies and the tee assembly.

Figure 1

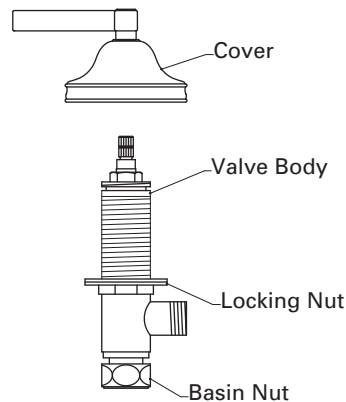
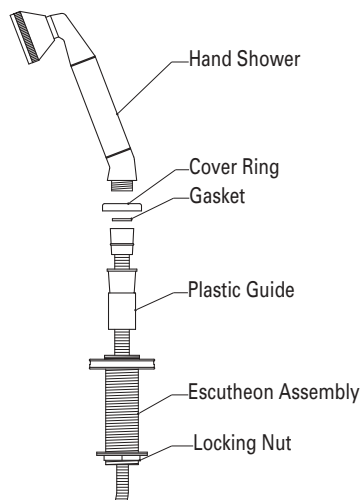


Figure 2



MOUNTING THE HAND SHOWER ESCUTCHEON (see fig. 2)

- Remove the locking nut from the handshower escutcheon assembly, and insert through the mounting hole. Then, re-attach and tighten the locking nut until fully secured.
- Unscrew and remove the finish cover ring from the top of the escutcheon assembly. Then, remove the plastic guide insert from within. Now, slip the cover ring over the handshower hose, with the top side facing the cone-shaped end of the hose.
- Attach the cone-shaped end of the hose to the handshower; using the gasket provided. Then, insert the hose through the plastic guide. Now, insert the handshower hose and plastic guide through the escutcheon assembly, and re-attach the cover ring.
- Connect the knurled end of the hose to the bottom of the tee assembly at the base of the spout.
- Connect the hot and cold water supplies to the side valve bodies.
- After installation, unscrew and remove the aerator assembly. Carefully open the hot and cold valves fully to flush out any debris in the supply lines. Once the lines have been flushed, close the valves and reinstall the aerator assembly.
- IMPORTANT: It is necessary to check for leaks and proper function of mixer, prior to being enclosed.
- If further assistance is required, please contact Product Support at: 1-800-927-2120 (8am-7pm EST).