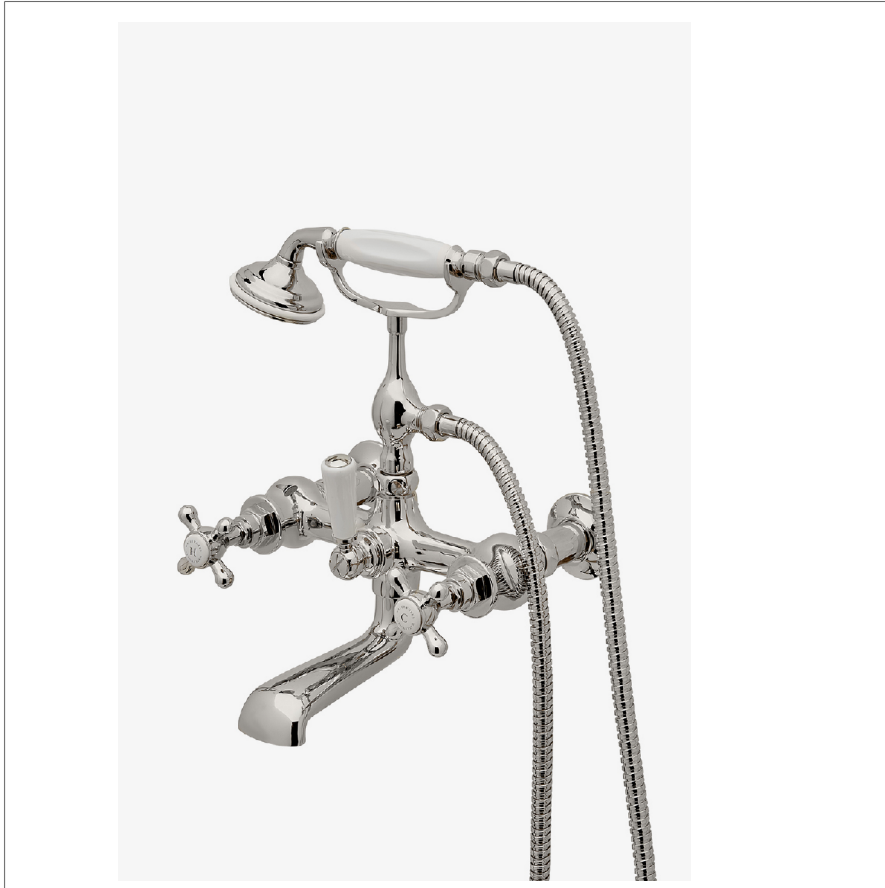


Highgate

HG20XT

Highgate Wall Mounted Exposed Tub Filler with Handshower and Metal Cross Handles



SHOWN IN HIGHGATE WALL MOUNTED EXPOSED TUB FILLER WITH HANDSHOWER AND METAL CROSS HANDLES | HG20XT

TECHNICAL DETAILS

ADA Compliance: No
 Adjustable Versus Fixed Spray: Fixed Spray
 Depth/Width: 240 mm
 Diameter Of Head: 70 mm
 Diameter Of Legs Tubes: 27 mm
 Escutcheon Primary Material: Brass
 Fittings Hole Diameter: 32 mm
 Handle Spread Maximum: 194 mm
 Handle Spread Minimum: 194 mm
 Handle Turn Angle: Quarter Turn
 Handshower Spray Hose Length: 1.5 m
 Height: 314 mm
 Index Color Finish And Material: White Porcelain
 Index Marking: H/C
 Inlet Connection Size: 3/4"
 Inlet Connection Type: Male G/BSPP
 Inlet Supply Spread Maximum: 194 mm
 Inlet Supply Spread Minimum: 194 mm
 Installation Type: Wall Mounted
 Integrated Diverter: N
 Integrated Spray: N
 Length: 267 mm
 Number Of Handles: Three
 Number Of Holes: Two Hole
 Pivot: N
 Primary Material: Brass
 Restricted Maximum Flow Rate: 7.6 liters/min
 Spout Swivel: N
 Spray Included In Unit: N
 Suggested Application: Bath
 Valve Material: Ceramic
 Water Pressure Maximum: 6.0 bar
 Water Pressure Minimum: 1.5 bar
 Water Pressure Recommended: 3.0 bar

INSPIRATION

Our take on old English style: simple, functional shapes, detailed with white porcelain indices and hexagonal accents for a timeless feel.

CODES & STANDARDS

PRODUCT FEATURES

Cross Handles

Handshower Offers a Fixed Spray Pattern

Stocked in Chrome, Nickel and Brass

Unrestricted Flow for Tub Spout. Handshower Available in 1.75gpm (4.5L/min) Flow Rate

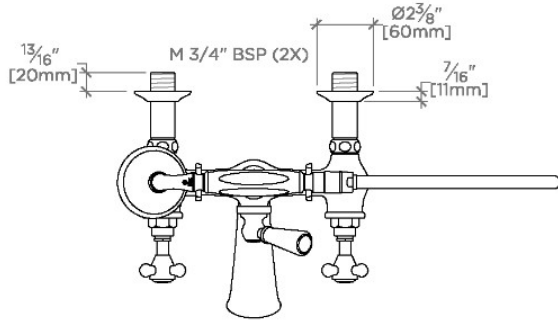
CERTIFICATIONS

PRODUCT (NOTES)

Highgate

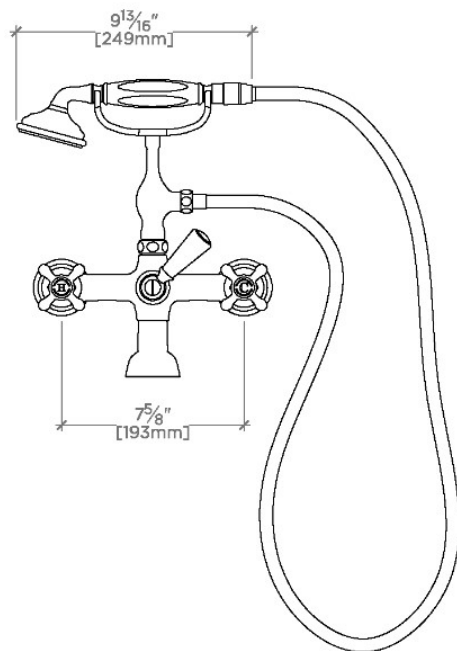
HG20XT

Highgate Wall Mounted Exposed Tub Filler with Handshower and Metal Cross Handles



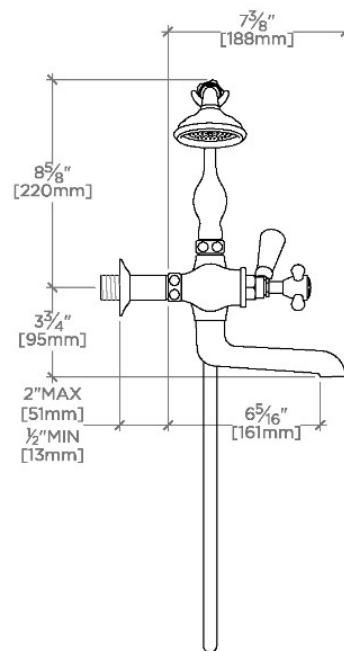
TOP VIEW

SCALE: 1 1/2"=1'-0"



FRONT VIEW

SCALE: 1 1/2"=1'-0"



SIDE VIEW

SCALE: 1 1/2"=1'-0"