

## Bond

BKM12P

Bond Solo Series One Hole Gooseneck Integrated Pull Spray Kitchen Faucet with Two-Piece Straight Lever Handle



SHOWN IN BOND SOLO SERIES ONE HOLE GOOSENECK INTEGRATED PULL SPRAY KITCHEN FAUCET WITH TWO-PIECE STRAIGHT LEVER HANDLE | BKM12P

### TECHNICAL DETAILS

ADA Compliance: Yes  
 Adjustable Versus Fixed Spray: Adjustable  
 Deck Thickness Maximum: 57 mm  
 Deck Thickness Minimum: 6 mm  
 Fittings Hole Diameter: 38 mm  
 Handle Turn Angle: Tilt and Turn  
 Handshower Spray Hose Length: 1.5 m  
 Inlet Connection Size: 3/8"  
 Inlet Connection Type: Compression Connection  
 Hoses  
 Integrated Diverter: Y  
 Restricted Maximum Flow Rate: 6.6 liters/min  
 Spout Swivel: Y  
 Spray Included In Unit: Y  
 Valve Material: Ceramic  
 Water Pressure Maximum: 6.0 bar  
 Water Pressure Minimum: 1.5 bar  
 Water Pressure Recommended: 3.0 bar

### INSPIRATION

Modern designs infused with rare soul and artistry. Explore our wide range of Bond bath and kitchen elements, from fittings to fixtures to hardware.

### CODES & STANDARDS

BKM12PX, NSF/ANSI/CAN 61:Q < 1, NSF/ANSI/CAN 372, ASME A112.18.1/CSA B125.1, State of MA

### PRODUCT FEATURES

Lever Handle.

Two Function Integrated Pull Spray operated by a sliding button, switches from aerated stream to jet spray. The button returns to aerated stream when disengaged and remains in spray mode without holding down

Features Two-Piece Straight Lever Handle

Stocked in Chrome, Nickel, Brass and Dark Nickel

Available in 1.75gpm (6.6L/min) flow rate

### CERTIFICATIONS



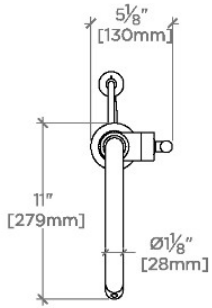
### PRODUCT (NOTES)

# WATERWORKS

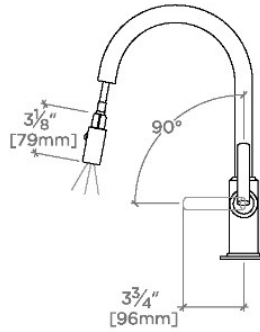
## Bond

## BKM12P

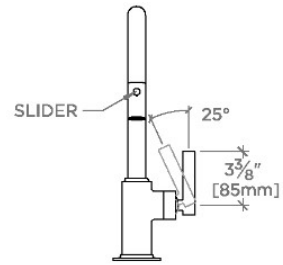
Bond Solo Series One Hole Gooseneck Integrated Pull Spray Kitchen Faucet with Two-Piece Straight Lever Handle



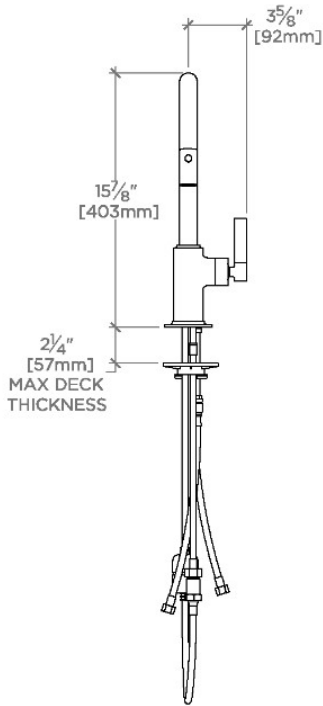
TOP VIEW SCALE: 1"=1'-0"



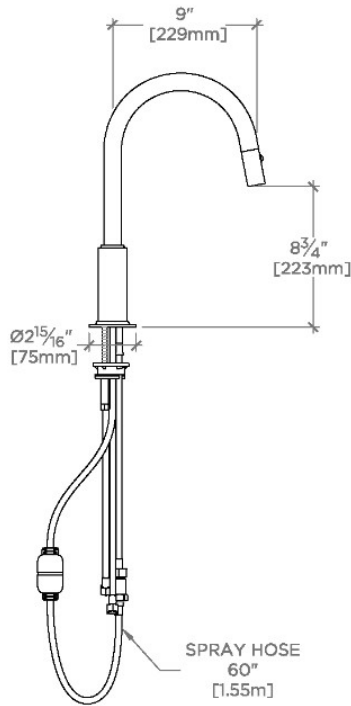
SPRAY AND HANDLE OPERATION SCALE: 1"=1'-0"



SCALE: 1"=1'-0"

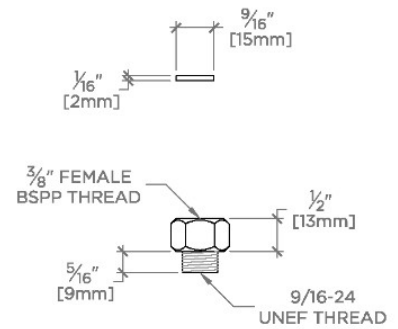


FRONT VIEW SCALE: 1"=1'-0"



SIDE VIEW SCALE: 1"=1'-0"

NOTE:  
ADAPTER AND GASKET (x2) INCLUDED -  
INTERNATIONAL USE ONLY



ADAPTER NOT TO SCALE