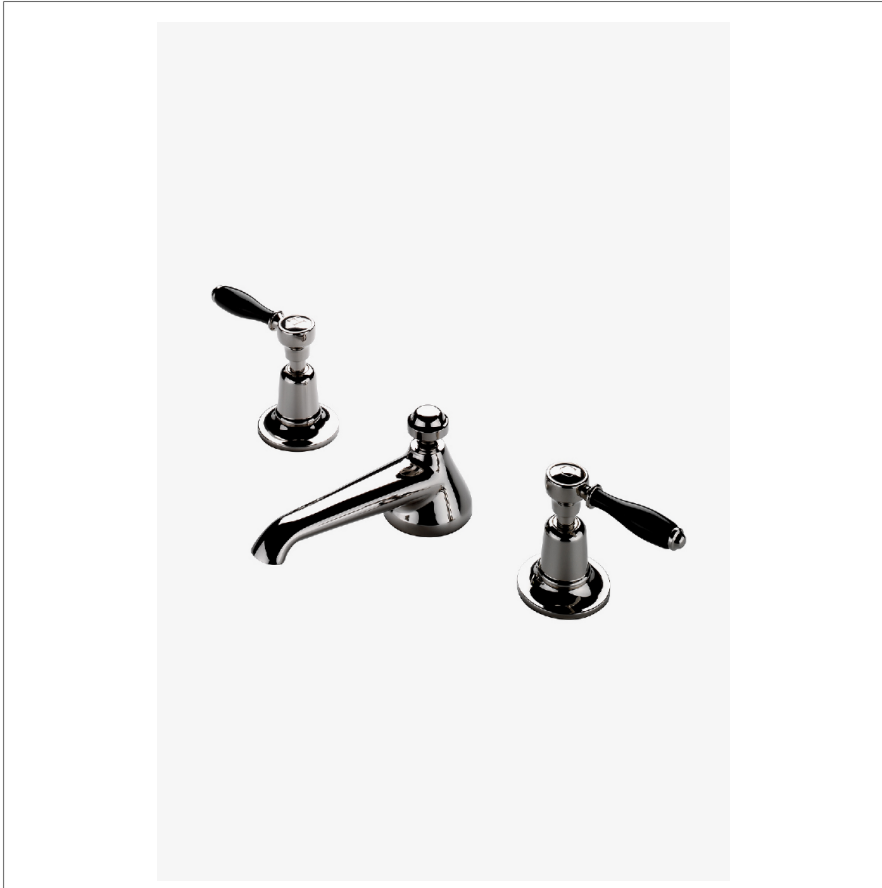


EASTON

EALS04

Easton Classic Low Profile Three Hole Deck Mounted Lavatory Faucet with Black Porcelain Lever Handles



SHOWN IN EASTON CLASSIC LOW PROFILE THREE HOLE DECK MOUNTED LAVATORY FAUCET WITH BLACK PORCELAIN LEVER HANDLES | EALS04

TECHNICAL DETAILS

ADA Compliance: Yes
 Deck Thickness Maximum: 1 1/4"
 Deck Thickness Minimum: 0.2"
 Depth/Width: 9"
 Drain Assembly Materials: Brass
 Drain Depth Maximum: 1 3/8"
 Drain Depth Minimum: 1 3/4"
 Drain Hole Diameter: 1 3/4"
 Fittings Hole Diameter: 1 3/8"
 Handle Spread Maximum: 12"
 Handle Spread Minimum: 8"
 Handle Turn Angle: Quarter Turn
 Height: 3 1/2"
 Index Color Finish And Material: White Porcelain
 Inlet Connection Size: 1/2"
 Inlet Connection Type: Male with supply nut
 Installation Type: Deck Mounted
 Length: 16"
 Primary Material: Brass
 Restricted Maximum Flow Rate: 1.2 gpm
 Spout Swivel: N
 Suggested Application: Bath
 Water Pressure Maximum: 85.0 psi
 Water Pressure Minimum: 20.0 psi
 Water Pressure Recommended: 45.0 psi

INSPIRATION

Rooted in classical Edwardian design, Easton is our most expansive collection—offering a comprehensive family of pieces that bring polished detail and timeless tradition to any setting. Revered for its exquisite proportions and impeccable scale, Easton is a trusted choice among designers.

CODES & STANDARDS

EALS04X, NSF/ANSI/CAN 61:Q < 1, NSF/ANSI/CAN 372, ASME A112.18.1/CSA B125.1, CEC, State of MA, WRAS

PRODUCT FEATURES

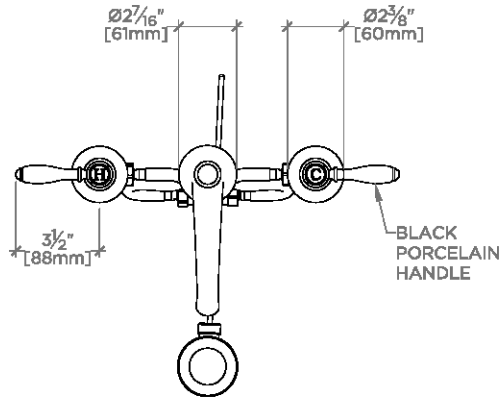
Available in 1.2gpm (4.5L/min) flow rate

CERTIFICATIONS



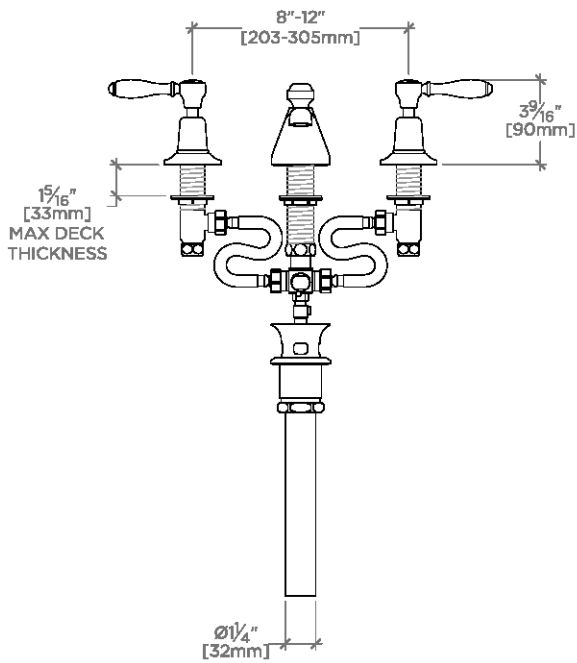
PRODUCT (NOTES)

Easton Classic Low Profile Three Hole Deck Mounted Lavatory Faucet with Black Porcelain Lever Handles



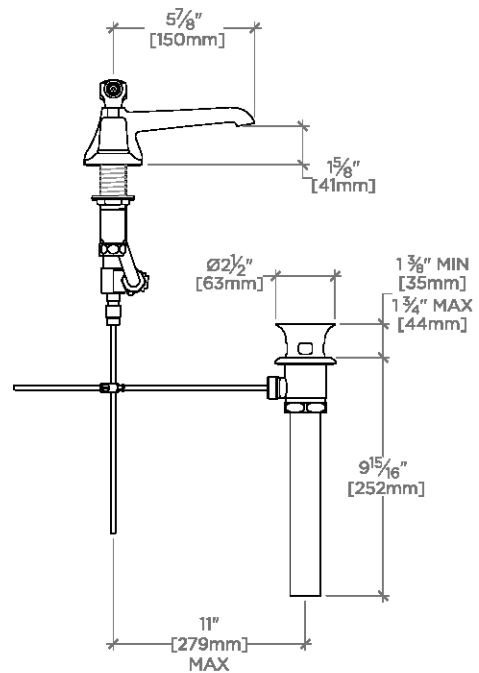
TOP VIEW

SCALE: 1/2"=1'-0"



FRONT VIEW

SCALE: 1/2"=1'-0"



SIDE VIEW

SCALE: 1/2"=1'-0"