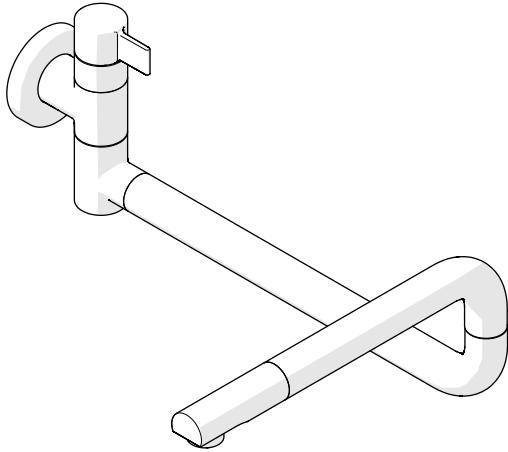


# INSTALLATION GUIDELINES

## ARTICULATED POT FILLER

### FINOT ARTICULATED POT FILLER



<b>STYLE</b>
NOPF20

### IMPORTANT:

- To ensure this product is installed properly, you must read and follow these guidelines.
- The owner/user of this product must keep this information for future reference.
- This product must be installed by a professional licensed contractor.
- Be sure your installation conforms to all federal, state, and local codes. In the State of Massachusetts, all installations must comply with the rules and regulations set forth within 248 CMR.
- Inspect this product to ensure you have all the parts required for proper installation. Product is **sold partially** assembled but shown fully disassembled for illustrative and service purposes only.
- Use only a strap wrench or protected/smooth-jaw wrench on any finished surface.
- The use of certain plumber's putty may stain stone or tile surfaces.
- If further assistance is required, please contact Product Support at 1-800-927-2120 Monday through Friday, 8am - 6pm EST.
- Refer to the separate Service Parts Documents for available replacement parts.

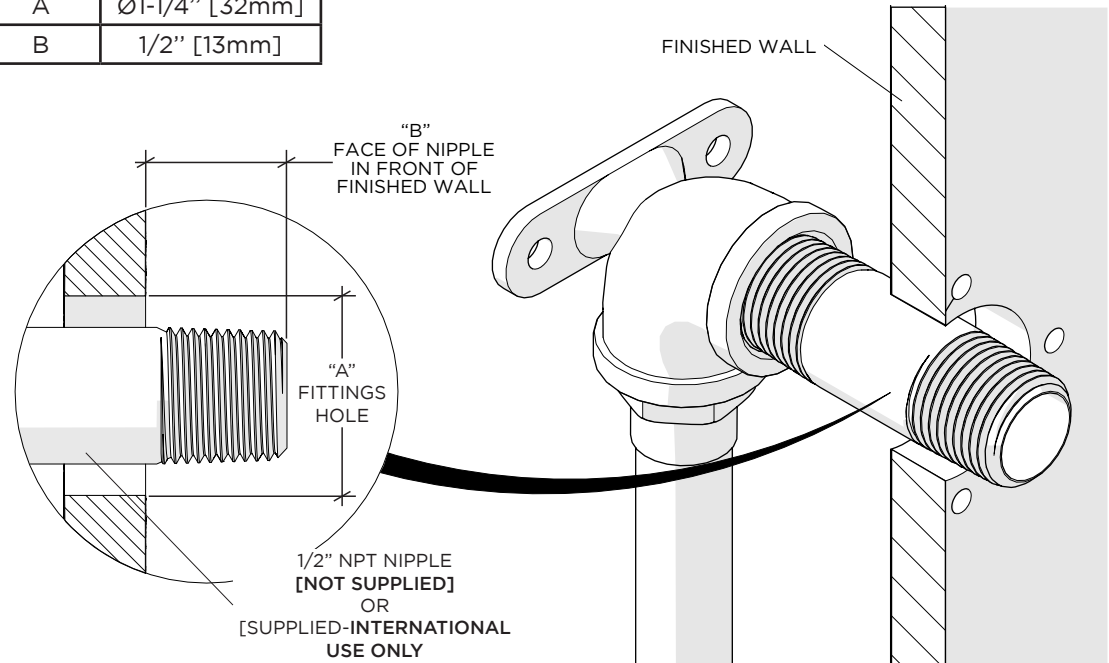
### TECHNICAL DETAILS:

DETAIL	SPECIFICATION
FITTING HOLE DIAMETER	Ø1" [25mm]
HANDLE TURN ANGLE	QUARTER TURN
INLET CONNECTION	1/2" FEMALE NPT †
SPOUT SWIVEL	YES
WATER PRESSURE RANGE	20psi [1.5 bar] <b>MINIMUM</b>
	85psi [6.0 bar] <b>MAXIMUM</b>
	45psi [3.0 bar] <b>RECOMMENDED</b>

### ROUGH-IN:

- Determine the ideal location based on the client's preference and rough-in a wall supported 1/2" NPT NIPPLE (**not supplied**).
- Adequate blocking in the wall is required to support inlet supply and MOUNTING HARDWARE.

DIM	VALUE
A	Ø1-1/4" [32mm]
B	1/2" [13mm]

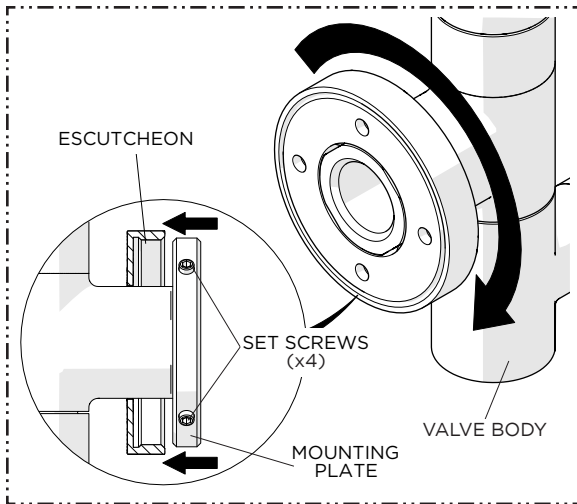


† For **INTERNATIONAL USE ONLY**, a 1/2" NPT Male x 1/2" BSPP Male ADAPTER (STYLE No. UNUK04) is provided. The BSPP end of the ADAPTER may be field cut.

# INSTALLATION GUIDELINES

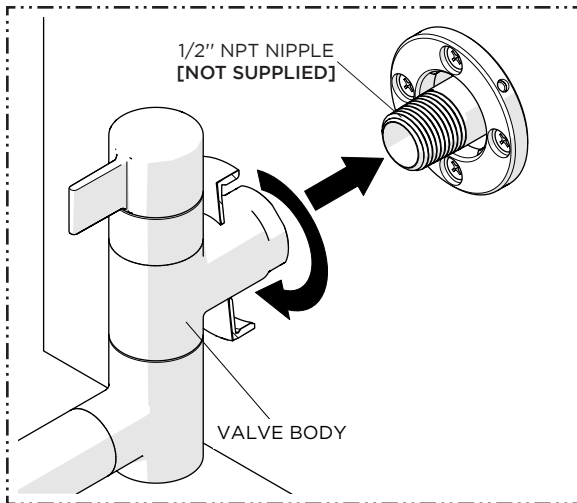
## ARTICULATED POT FILLER

# WATERWORKS

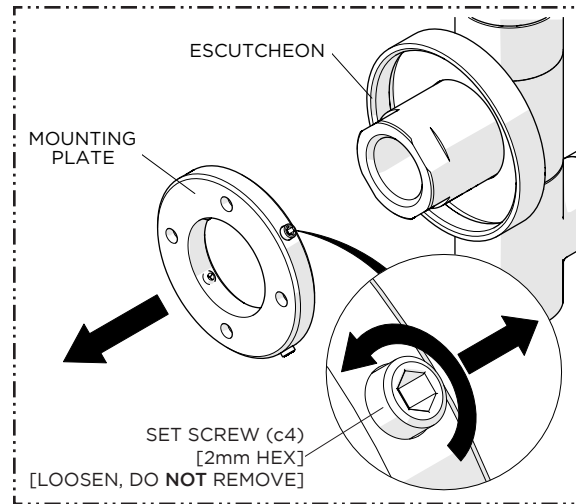


1. Unthread the ESCUTCHEON from the MOUNTING PLATE and slide it towards the VALVE BODY to expose the SET SCREWS(x4).

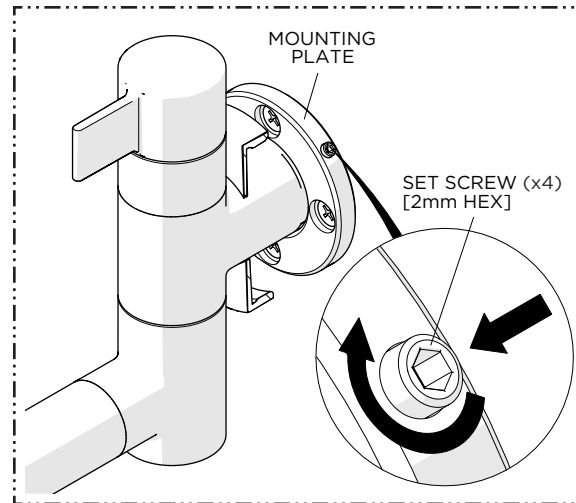
**NOTE:** Do **NOT** remove the RUBBER WASHER from the ESCUTCHEON.



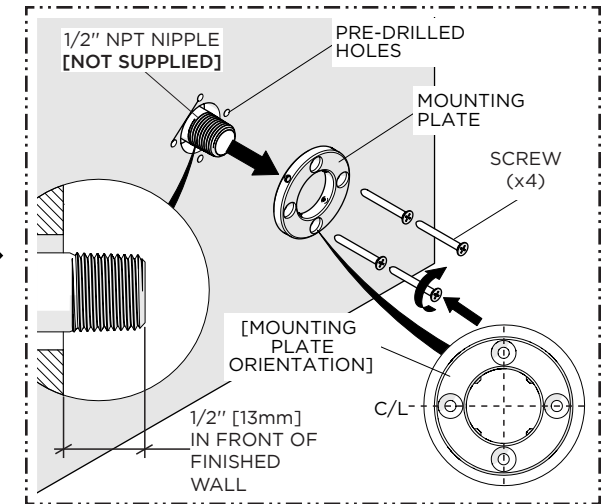
4. Thread and securely tighten the VALVE BODY onto the NIPPLE (not supplied) until snug.



2. Loosen, but do **NOT** remove, the SET SCREWS (x4) using a 2mm HEX KEY then remove the MOUNTING PLATE from the VALVE BODY.

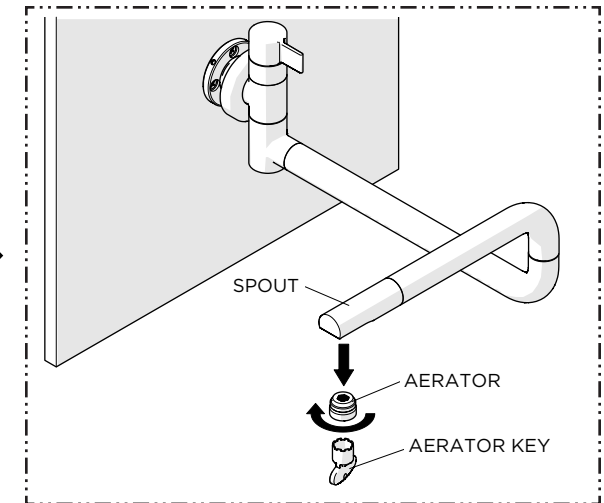


5. Securely tighten the SET SCREWS (x4) on the MOUNTING PLATE using a 2mm HEX KEY to secure the SPOUT and prevent it from rotating.



3. Ensure the NIPPLE (not supplied) protrudes 1/2" [13mm] in front of the FINISHED WALL then install the MOUNTING PLATE, in the proper orientation, using the SCREWS (x4) provided.

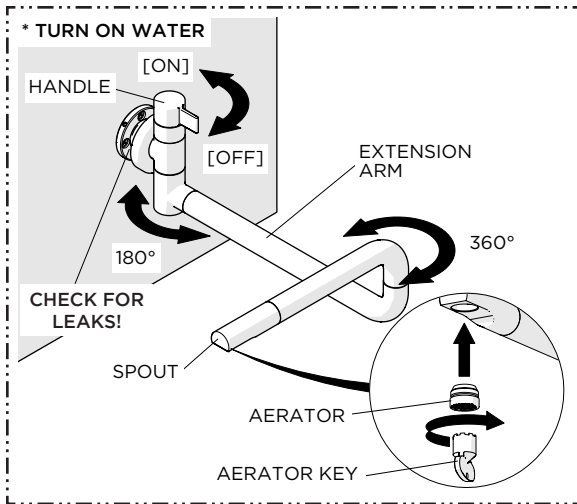
**NOTE:** Adequate **BLOCKING** required.



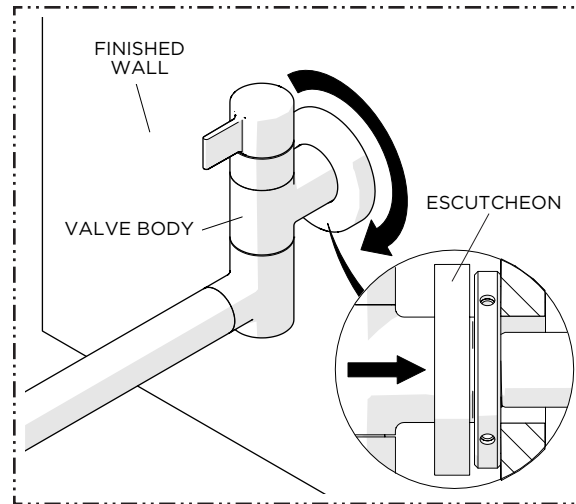
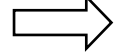
6. Unthread and remove the AERATOR from the SPOUT using the AERATOR KEY provided.

# INSTALLATION GUIDELINES

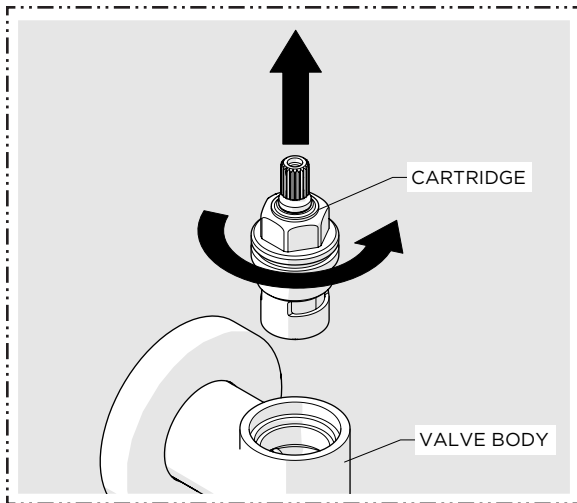
## ARTICULATED POT FILLER



7. Turn on the water and operate the HANDLE to flush out any debris in the SUPPLY LINE and check for **leaks** then turn off water and re-install the AERATOR.

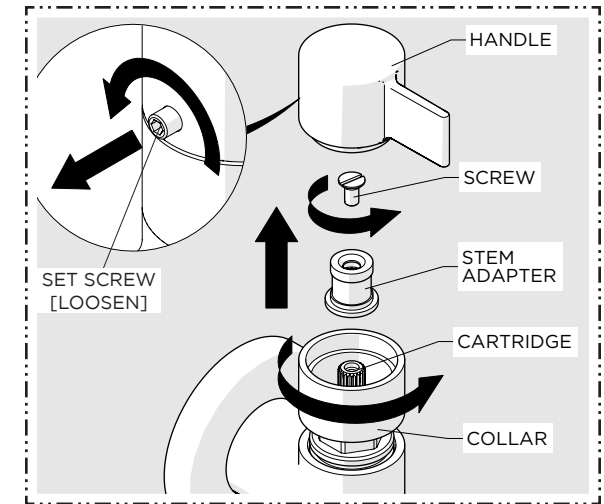


8. Hand tighten the ESCUTCHEON on the MOUNTING PLATE.



2. Unthread the CARTRIDGE from the VALVE BODY.

# WATERWORKS



### SERVICING THE CARTRIDGE:

1. Unthread the SET SCREW and remove the LEVER HANDLE to expose the SCREW, STEM ADAPTER and COLLAR. Unthread the SCREW and COLLAR then remove the SCREW, STEM ADAPTER and COLLAR to access the CARTRIDGE.