

## HENRY CHRONOS

CPF101

Henry Chronos Wall Mounted Articulated Pot Filler with Wheel Handle



SHOWN IN HENRY CHRONOS WALL MOUNTED ARTICULATED POT FILLER WITH WHEEL HANDLE | CPF101

### TECHNICAL DETAILS

Fittings Hole Diameter: 1 1/4"  
Handle Turn Angle: Quarter Turn  
Inlet Connection Size: 1/2"  
Inlet Connection Type: Female NPT  
Spout Swivel: Y  
Valve Material: Brass and Ceramic  
Water Pressure Maximum: 85.0 psi  
Water Pressure Minimum: 20.0 psi  
Water Pressure Recommended: 45.0 psi

### INSPIRATION

Inspired by dive watches, Henry Chronos radiates design prowess and technical precision. Chronos retains the design integrity of our original, iconic Henry collection, while imbuing it with modern details and exquisite materials.

### CODES & STANDARDS

CPF101X, NSF/ANSI/CAN 61:Q < 1, NSF/ANSI/CAN 372, ASME A112.18.1/CSA B125.1

### PRODUCT FEATURES

Features Wheel Handle

Stocked in Chrome, Nickel, and Brass

Wall Mounted Articulated spout offers cold water only

### CERTIFICATIONS

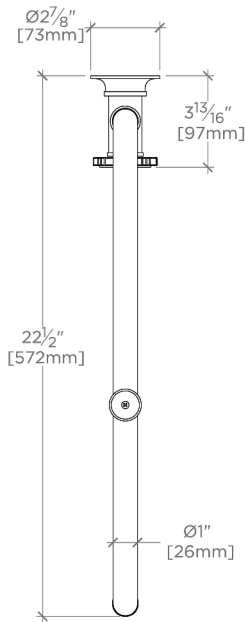


### PRODUCT (NOTES)

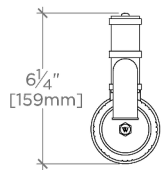
## HENRY CHRONOS

CPF101

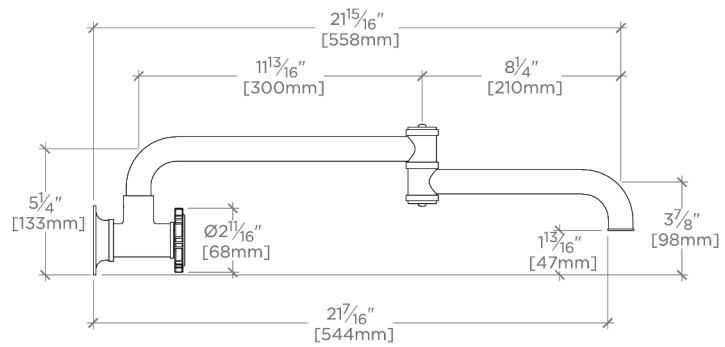
Henry Chronos Wall Mounted Articulated Pot Filler with Wheel Handle



TOP VIEW SCALE: 1 1/2"=1'-0"



FRONT VIEW SCALE: 1 1/2"=1'-0"



SIDE VIEW SCALE: 1 1/2"=1'-0"