

Finot

NVT220

Finot Integrated Thermostatic and Diverter Trim with Lever Handle



SHOWN IN FINOT INTEGRATED THERMOSTATIC AND DIVERTER TRIM WITH LEVER HANDLE | NVT220

TECHNICAL DETAILS

ADA Compliance: Yes
 Integrated Diverter: Y
 Primary Material: Brass

INSPIRATION

Finot seamlessly blends meticulous details with contemporary sensibility. A true integration of design and engineering expertise, this collection is comprised of parts that are decisively cast and forged to achieve painstaking precision and refinement.

CODES & STANDARDS

NVT220X, ASME A112.18.1/CSA B125.1

PRODUCT FEATURES

Lever Handle

Smooth handle operation with haptic "clicks" at each diverter position for tactile feedback

Stocked in Chrome, Nickel, Brass and Dark Nickel

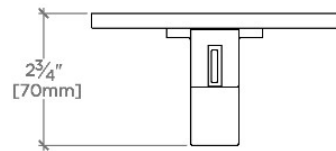
Requires rough valve, sold separately: GUTH62 or GUTH63 (USA) or GU62TH or GU63TH (UK/International)

CERTIFICATIONS

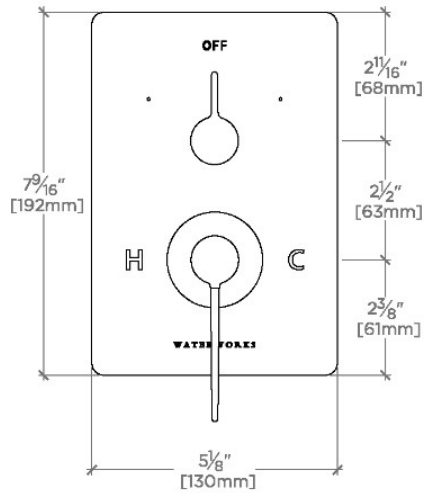


PRODUCT (NOTES)

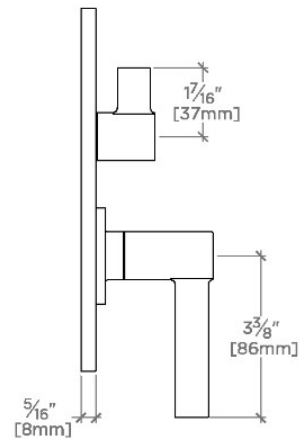
Finot Integrated Thermostatic and Diverter Trim with Lever Handle



TOP VIEW SCALE: 3"=1'-0"



FRONT VIEW SCALE: 3"=1'-0"



SIDE VIEW SCALE: 3"=1'-0"