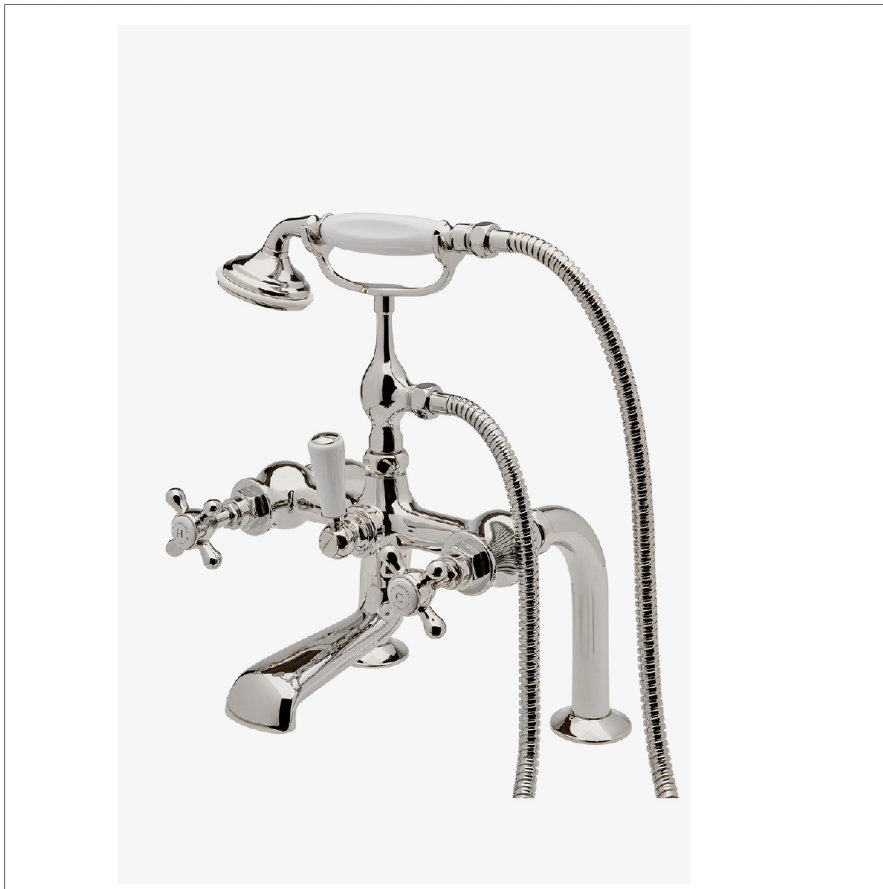


## Highgate

## HG40XT

Highgate Deck Mounted Exposed Tub Filler with Handshower and Metal Cross Handles



SHOWN IN HIGHGATE DECK MOUNTED EXPOSED TUB FILLER WITH HANDSHOWER AND METAL CROSS HANDLES | HG40XT

### TECHNICAL DETAILS

ADA Compliance: No  
 Adjustable Versus Fixed Spray: Fixed Spray  
 Deck Thickness Maximum: 48 mm  
 Deck Thickness Minimum: 0 mm  
 Depth/Width: 292 mm  
 Diameter Of Head: 70 mm  
 Diameter Of Legs Tubes: 29 mm  
 Escutcheon Primary Material: Brass  
 Fittings Hole Diameter: 32 mm  
 Handle Spread Maximum: 194 mm  
 Handle Spread Minimum: 194 mm  
 Handle Turn Angle: Quarter Turn  
 Handshower Spray Hose Length: 1.5 m  
 Height: 381 mm  
 Index Color Finish And Material: White Porcelain  
 Index Marking: H/C  
 Inlet Connection Size: 3/4"  
 Inlet Connection Type: Male G/BSPP  
 Inlet Supply Spread Maximum: 194 mm  
 Inlet Supply Spread Minimum: 194 mm  
 Installation Type: Deck Mounted  
 Integrated Diverter: N  
 Integrated Spray: N  
 Length: 267 mm  
 Number Of Handles: Three  
 Number Of Holes: Two Hole  
 Pivot: N  
 Primary Material: Brass  
 Restricted Maximum Flow Rate: 7.6 liters/min  
 Spout Swivel: N  
 Spray Included In Unit: N  
 Suggested Application: Bath  
 Valve Material: Ceramic  
 Water Pressure Maximum: 5.5 bar  
 Water Pressure Minimum: 1.5 bar  
 Water Pressure Recommended: 3.0 bar

### INSPIRATION

Our take on old English style: simple, functional shapes, detailed with white porcelain indices and hexagonal accents for a timeless feel.

### CODES & STANDARDS

### PRODUCT FEATURES

Cross Handles

Handshower Offers a Fixed Spray Pattern

Stocked in Chrome, Nickel and Brass

Unrestricted Flow for Tub Spout. Handshower Available in 1.75gpm (4.5L/min) Flow Rate

### CERTIFICATIONS

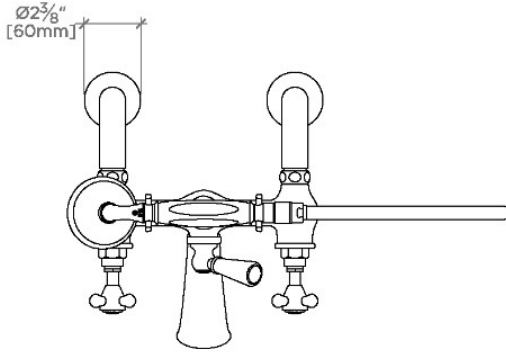
### PRODUCT (NOTES)

## Highgate

## HG40XT

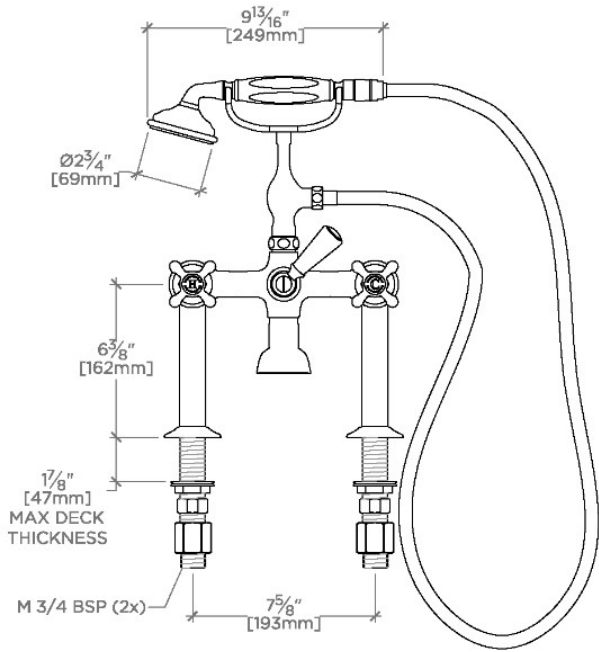
Highgate Deck Mounted Exposed Tub Filler with Handshower and Metal Cross Handles

ADAPTER(S) PACKAGED SEPARATELY		
ADAPTER	DESCRIPTION	QTY
UNUK05	3/4" NPT Female x 3/4" Male BSP	2



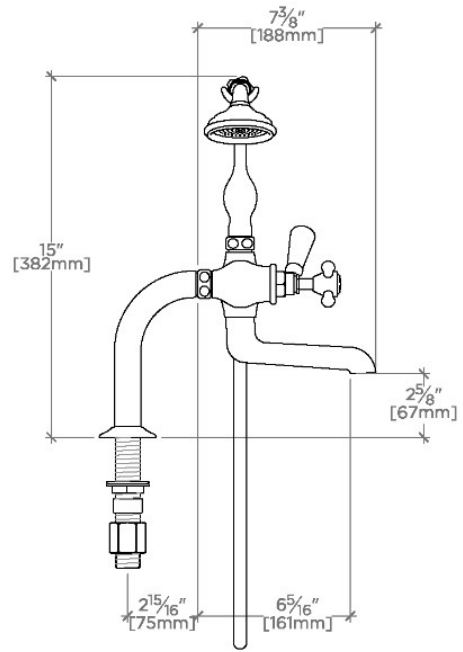
TOP VIEW

SCALE: 1 1/2" = 1'-0"



FRONT VIEW

SCALE: 1 1/2" = 1'-0"



SIDE VIEW

SCALE: 1 1/2" = 1'-0"