

INSTALLATION GUIDELINES

UNIVERSAL RAIN SHOWERHEAD

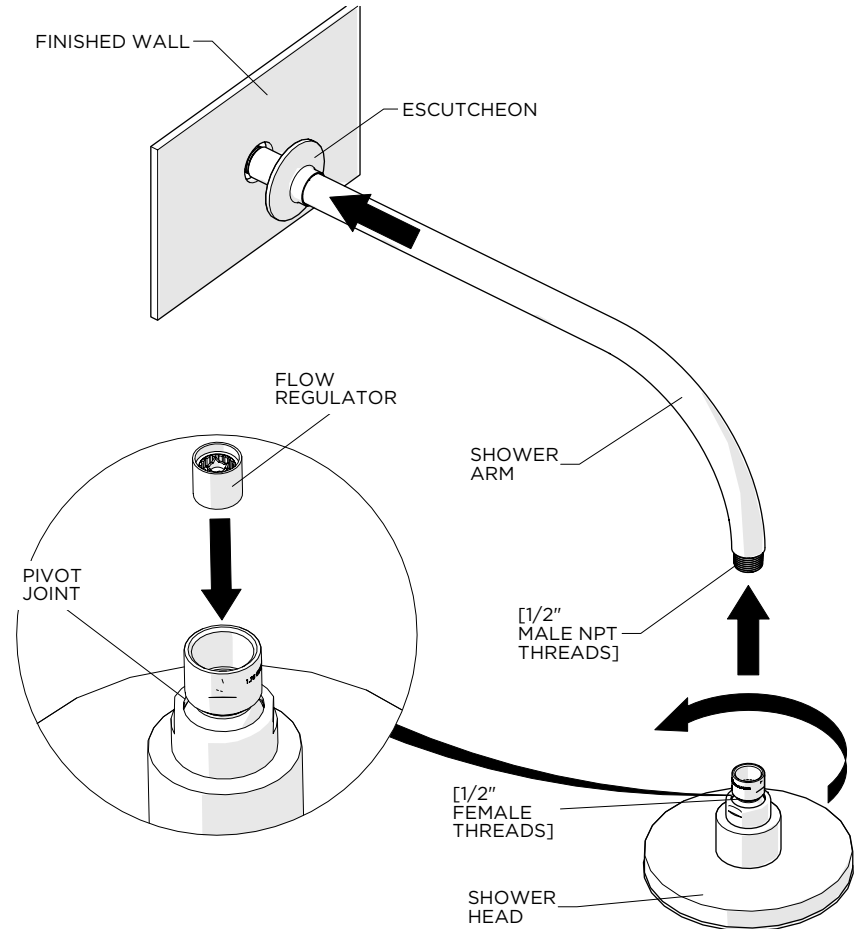
IMPORTANT:

- To ensure this product is installed properly, you must read and follow these guidelines.
- The owner/user of this product must keep this information for future reference.
- This product must be installed by a professional licensed contractor and must be on-site prior to rough-in, this allows the installer to visualize the installation.
- Be sure your installation conforms to federal, state, and local codes. In the State of Massachusetts, all installations must comply with the rules and regulations set forth within 248 CMR.
- Inspect this product to ensure you have all the parts required for proper installation.
- Use only a strap wrench or protected/smooth-jaw wrench on any finished surface.
- The use of certain plumber's putty may stain stone or tile surfaces.
- The USH106, USH206 and USH305 showerheads are not intended to comply with the EPA WaterSense when they are used with a wall mounted 45 degree shower arm.
- If further assistance is required, please contact Product Support at 1-800-927-2120 Monday through Friday, 8am - 6pm EST.
- For use with VALVES rated at 1.3gpm [4.9L/min] or higher.

TECHNICAL DETAILS:

INLET CONNECTION	1/2" FEMALE THREADS
INTEGRATED DIVERTER	NO
PIVOT	YES
WATER PRESSURE RANGE	20psi [1.5 bar] MIN 85psi [6.0 bar] MAX
WATER PRESSURE RECOMMENDED	45psi [3.0 bar]

WALL INSTALLATION SHOWN:

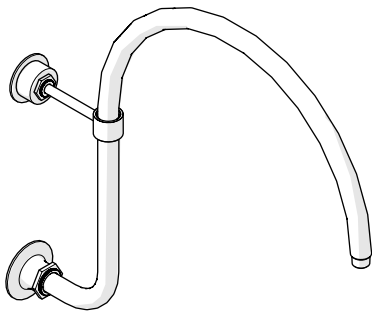


1. Flush out the supply line prior to installing the RAINSHOWERHEAD.
2. On the 1/2" male NPT thread end of the SHOWER ARM, use plumbers tape or Pipe Thread Sealant to ensure water tight seal.
3. Thread and securely tighten the PIVOT JOINT onto the SHOWER ARM.
NOTE: A FLOW REGULATOR is located inside the PIVOT JOINT.
4. Run water through the RAIN SHOWERHEAD and ensure it pivots and functions properly.
NOTE: Some RAIN SHOWERHEADS have adjustable spray features.
5. Check for leaks and complete the installation.

INSTALLATION GUIDELINES

GOOSENECK SHOWER ARM

HENRY, HENRY CHRONOS, OR UNIVERSAL 20" WALL MOUNTED GOOSENECK SHOWER ARM



STYLES		
CNA820	HNA820 [SHOWN]	USA820

IMPORTANT:

- To ensure this product is installed properly, you must read and follow these guidelines.
- The owner/user of this product must keep this information for future reference.
- This product must be installed by a professional licensed contractor.
- Be sure your installation conforms to federal, state, and local codes. In the State of Massachusetts, all installations must comply with the rules and regulations set forth within 248 CMR.
- Inspect this product to ensure you have all the parts required for proper installation.
- Product is sold partially assembled but shown fully disassembled for illustrative and service purposes only.
- **CAUTION:** Use only a strap wrench or protected/smooth-jaw wrench on ANY finished surface.
- The use of certain plumber's putty may stain stone or tile surfaces.
- If further assistance is required, please contact Product Support at 1-800-927-2120 Monday through Friday, 8am - 6pm EST.
- Refer to the separate Service Parts Documents for available replacement parts.

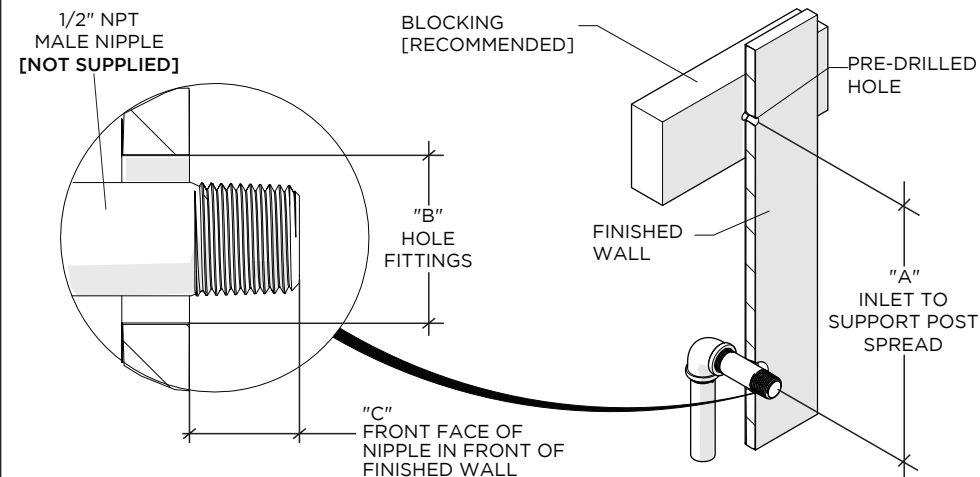
TECHNICAL DETAILS:

DETAIL	SPECIFICATION
INLET CONNECTION	1/2" FEMALE THREADS WITH RUBBER WASHER
INTEGRATED DIVERTER	NO
WATER PRESSURE RANGE	20psi [1.5 bar] MIN -85psi [6.0 bar] MAX
WATER PRESSURE RECOMMENDED	45psi [3.0 bar]

ROUGH-IN:

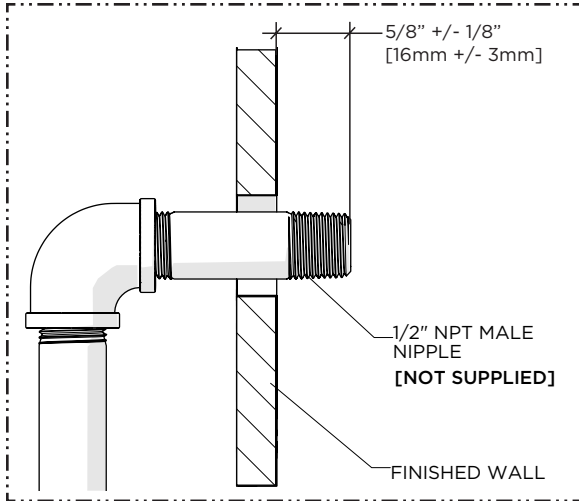
- Determine the ideal location for the SHOWER ARM and rough-in a well supported 1/2" NPT MALE NIPPLE (not supplied) of appropriate length.
- Adequate blocking in the wall is recommended for mounting the SUPPORT POST using the 1-1/2" length WOOD SCREW provided.
- A DRYWALL ANCHOR, intended for use in a typical 1/2" drywall installation, is provided for situations where blocking is not installed.

DIMENSION	VALUE
A	10-1/2" [267mm] RECOMMENDED
B	1-1/4" [32mm]
C	5/8" [16mm] +/- 1/8" [3mm]

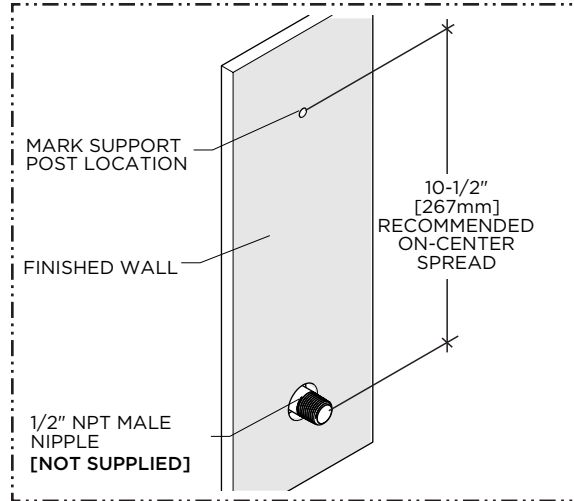


INSTALLATION GUIDELINES

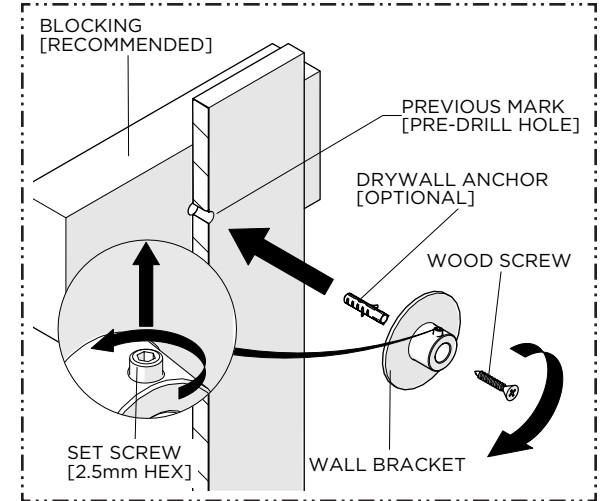
GOOSENECK SHOWER ARM



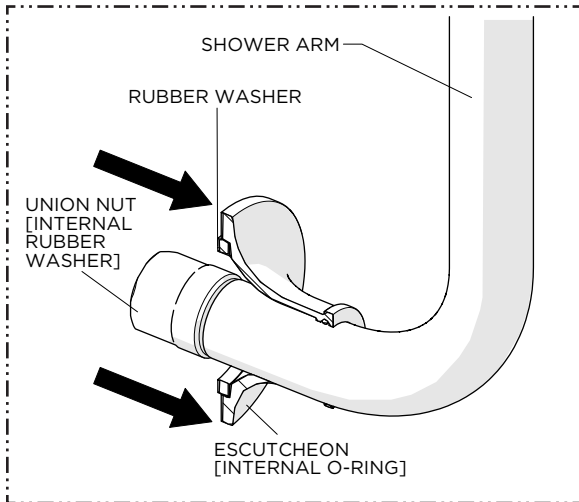
1. Ensure the front face of the 1/2" NPT MALE NIPPLE (not supplied) is 5/8" [16mm] to +/- 1/8" [3mm] in front of the finished wall.



2. Mark the location for the SUPPORT POST from the center of the NIPPLE to the desired on-center spread.
IMPORTANT: The **MAXIMUM** spread is 10-3/4" [273mm]. **RECOMMENDED** on-center spread is 10-1/2" [267mm].

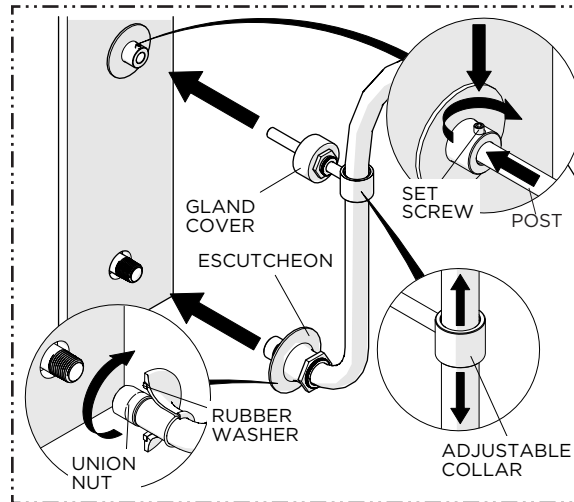


3. Using the previous mark, install the WALL BRACKET by loosening the SET SCREW and using the WOOD SCREW provided.
NOTE: Adequate blocking is recommended, but a DRYWALL ANCHOR is provided for installations where blocking is not installed.



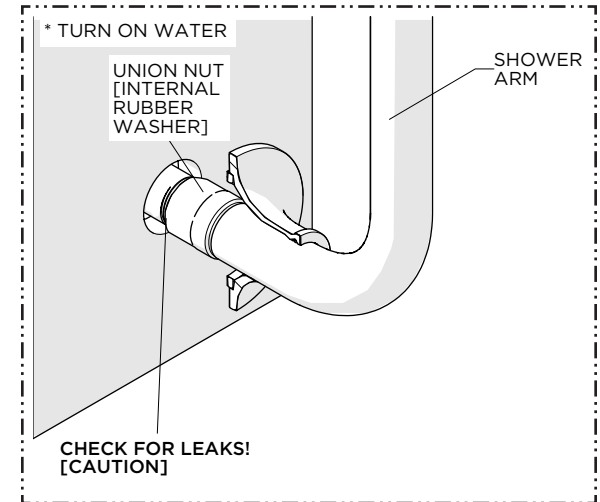
4. Slide the INLET ESCUTCHEON and RUBBER WASHER up the SHOWER ARM to expose the UNION NUT.

NOTE: Do NOT remove or discard the RUBBER WASHER inside the UNION NUT.



5. Align the NUT to the NIPPLE and the POST to the WALL BRACKET then thread and securely tighten the NUT onto the NIPPLE making sure the POST fits properly into the WALL BRACKET. Secure the POST to the BRACKET by tightening the SET SCREW.

NOTE: Ensure the RUBBER WASHER is behind the INLET ESCUTCHEON.

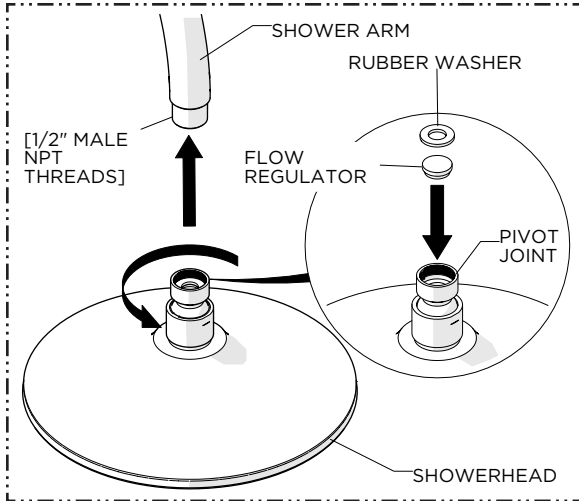


6. Turn on the water and a diverter/wall valve (sold separately) to flush out any debris in the supply line and inspect all connections for leaks then turn the water off.

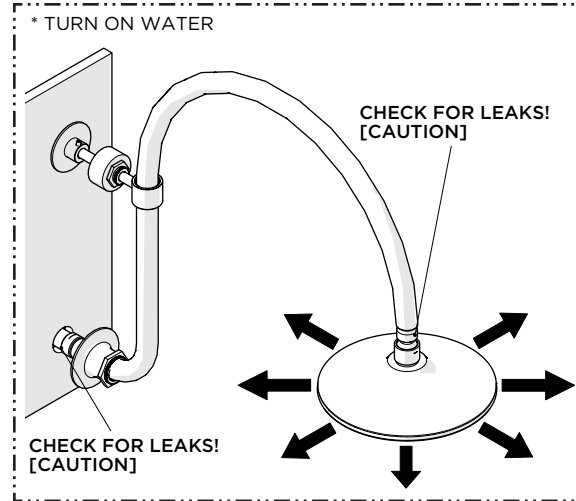
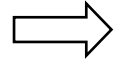
INSTALLATION GUIDELINES

GOOSENECK SHOWER ARM

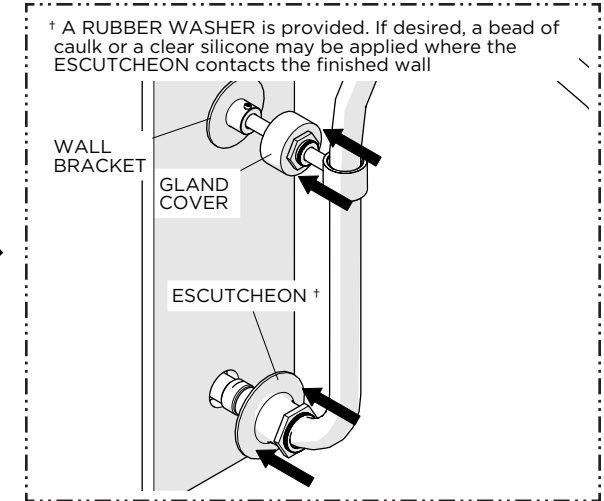
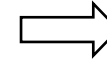
WATERWORKS



7. Insert the RUBBER WASHER into the PIVOT JOINT on the SHOWER HEAD then thread and securely tighten the PIVOT JOINT onto the SHOWER ARM.
NOTE: A FLOW REGULATOR is located in the PIVOT JOINT.



8. Turn on the water and operate the SHOWER HEAD to ensure it pivots and functions properly. Inspect all connections for leaks then turn the water off.



9. Slide the ESCUTCHEON down the SHOWER ARM until it contacts the finished wall and slide the GLAND COVER down the SUPPORT POST until it contacts the WALL BRACKET.