

Ludlow

LDTHSE

Ludlow Shinola Edition Thermostatic Control Valve Trim with Two-Tone Lever Handle



SHOWN IN LUDLOW SHINOLA EDITION THERMOSTATIC CONTROL VALVE TRIM WITH TWO-TONE LEVER HANDLE | LDTHSE

TECHNICAL DETAILS

ADA Compliance: Yes
Depth/Width: 84 mm
Fittings Hole Diameter: 114 mm
Height: 171 mm
Length: 165 mm
Number Of Handles: One
Primary Material: Brass

INSPIRATION

Our fresh take on American industrial design comes in three styles, each of them clean-lined, and distinct to Waterworks.

CODES & STANDARDS

ASME A112.18.1/CSA B125.1, State of MA

PRODUCT FEATURES

Lever Handle

This style is stocked in Nickel/Shinola Steel

Requires 1/2" valve rough GUTH56 (USA) or GU56TH (UK) sold separately

Allows bather to adjust temperature of all waterway outlets, features anti-scald protection through an integrated high limit safety stop

CERTIFICATIONS

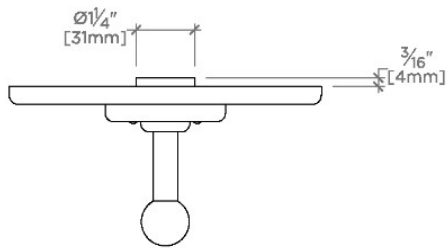


PRODUCT (NOTES)

Ludlow

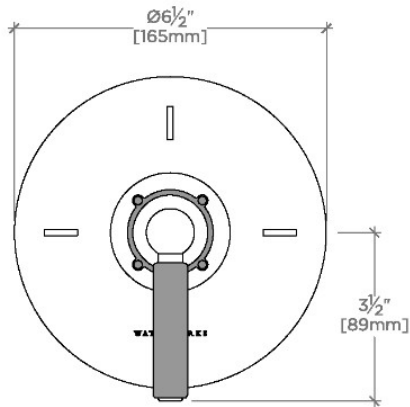
LDTHSE

Ludlow Shinola Edition Thermostatic Control Valve Trim with Two-Tone Lever Handle



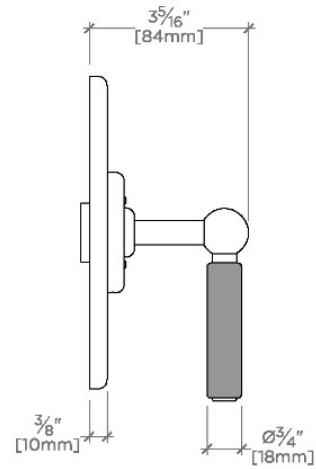
TOP VIEW

SCALE: 3"=1'-0"



FRONT VIEW

SCALE: 3"=1'-0"



SIDE VIEW

SCALE: 3"=1'-0"