

RONDELLE

Rondelle 6" Pull

ROHW06



TECHNICAL DETAILS

Hardware Primary Material: Solid Brass
Hardware Shape: Pull
Length From Centers: 6"
Projection: 1 3/4"
Depth / Width: 22 mm
Length: 194 mm
Primary Material: Brass

INSPIRATION

Captivating Rondelle is reminiscent of the classic circle pin that embodies a striking simplicity. Its curves and contours whisper with enduring elegance.

PRODUCT FEATURES

Solid Brass

Made in USA

Includes per fixing: 8-32 Truss head machine screw in 1" and 1 1/2" lengths

WATERWORKS

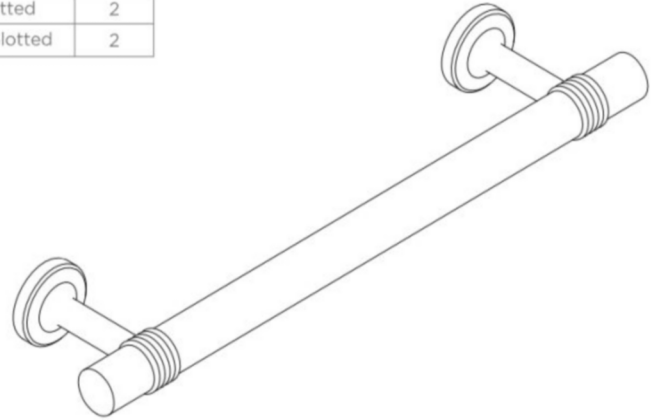
RONDELLE

ROHW06

Rondelle 6" Pull

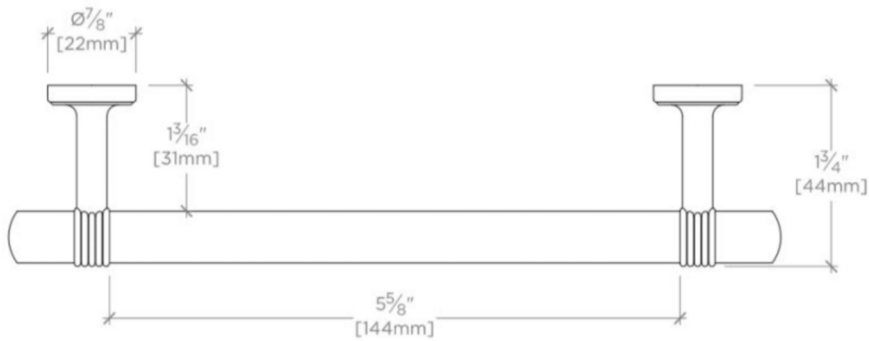
MOUNTING HARDWARE INCLUDED

STYLE #	DESCRIPTION	QTY
998945	Service Parts 8-32 x 1" Truss Head Machine Screw, Combo, Slotted	2
998946	Service Parts 8-32 x 1-1/2" Truss Head Machine Screw, Combo, Slotted	2



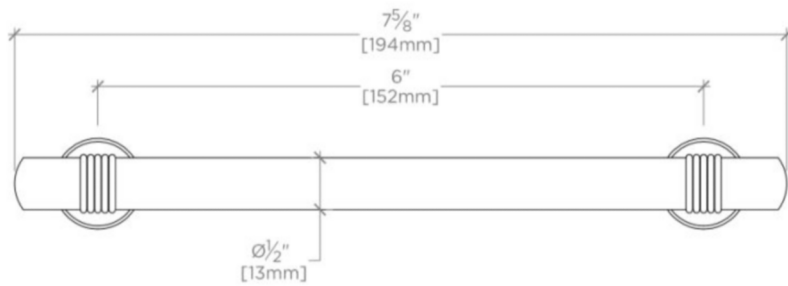
ISO VIEW

SCALE: 6"=1'-0"



TOP VIEW

SCALE: 6"=1'-0"



FRONT VIEW

SCALE: 6"=1'-0"



SIDE VIEW

SCALE: 6"=1'-0"