

HENRY

HPF101

Henry Wall Mounted Articulated Pot Filler with Cross Handle



SHOWN IN HENRY WALL MOUNTED ARTICULATED POT FILLER WITH CROSS HANDLE | HPF101

TECHNICAL DETAILS

Fittings Hole Diameter: 1 1/4"
Handle Turn Angle: Quarter Turn
Inlet Connection Size: 1/2"
Inlet Connection Type: Female NPT
Spout Swivel: Y
Valve Material: Brass and Ceramic
Water Pressure Maximum: 85.0 psi
Water Pressure Minimum: 20.0 psi
Water Pressure Recommended: 45.0 psi

INSPIRATION

Celebrating the connection of industry and art, Henry transitions effortlessly between modern, traditional, and classic settings. These iconic fittings blend 19th-century industrial and artistic references for a look that's forever of the moment—familiar yet wholly original.

CODES & STANDARDS

HPF101X, NSF/ANSI/CAN 61:Q < 1, NSF/ANSI/CAN 372, ASME A112.18.1/CSA B125.1

PRODUCT FEATURES

Features Cross Handle

Stocked In Chrome, Nickel, Brass and Dark Nickel

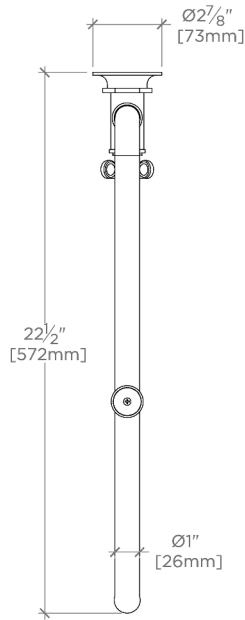
Wall Mounted Articulated spout offers cold water only

CERTIFICATIONS

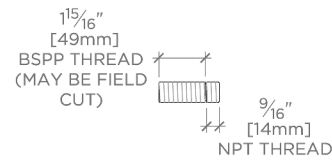


PRODUCT (NOTES)

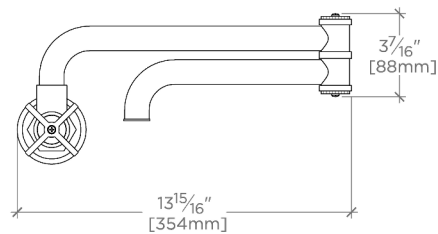
Henry Wall Mounted Articulated Pot Filler with Cross Handle



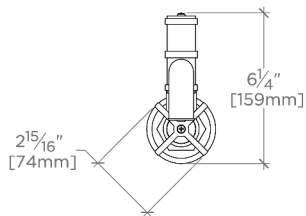
TOP VIEW SCALE: 1/2"=1'-0"



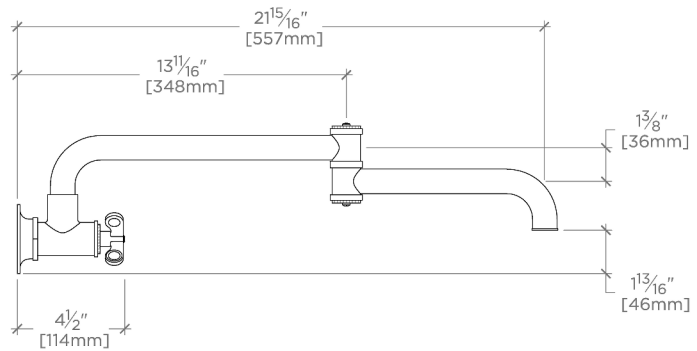
ADAPTER INCLUDED - INTERNATIONAL USE ONLY



FOLDED VIEW SCALE: 1/2"=1'-0"



FRONT VIEW SCALE: 1/2"=1'-0"



SIDE VIEW SCALE: 1/2"=1'-0"