

Riverun

RRXT60

Riverun Floor Mounted Exposed Tub Filler with Handshower and Two-Tone Tri-Spoke Handles



SHOWN IN RIVERUN FLOOR MOUNTED EXPOSED TUB FILLER WITH HANDSHOWER AND TWO-TONE TRI-SPOKE HANDLES | RRXT60

TECHNICAL DETAILS

ADA Compliance: No
 Adjustable Versus Fixed Spray: Fixed
 Diameter Of Legs Tubes: 40 mm
 Fittings Hole Diameter: 29 mm
 Handle Spread Maximum: 194 mm
 Handle Spread Minimum: 194 mm
 Handle Turn Angle: Quarter Turn
 Handshower Spray Hose Length: 1.5 m
 Inlet Connection Size: 3/4"
 Inlet Connection Type: Copper Sweat
 Inlet Supply Spread Maximum: 194 mm
 Inlet Supply Spread Minimum: 194 mm
 Integrated Diverter: Y
 Integrated Spray: N
 Number Of Holes: Two Hole
 Pivot: N
 Primary Material: Brass
 Restricted Maximum Flow Rate: 6.6 liters/min
 Spout Swivel: N
 Spray Included In Unit: Y
 Valve Material: Ceramic
 Water Pressure Maximum: 6.0 bar
 Water Pressure Minimum: 1.5 bar
 Water Pressure Recommended: 3.0 bar

INSPIRATION

This new American classic was designed with simplicity in mind. Featuring streamlined forms and honest details, it's the epitome of quiet elegance.

CODES & STANDARDS

ASME A112.18.1/CSA B125.1, Waterworks Handshowers use check valves compliant to ASME A112.18.3 for backflow protection. CEC, DOE, State of MA

PRODUCT FEATURES

Features Two-Tone Tri-Spoke Handle

Diverter handle allows bather to move water from spout to handshower.

The Handshower offers a fixed spray pattern

Stocked in Nickel/Matte Black and Brass/Matte Black

Unrestricted flow for tub spout. Handshower available in 1.75gpm (6.6L/min) flow rate

CERTIFICATIONS



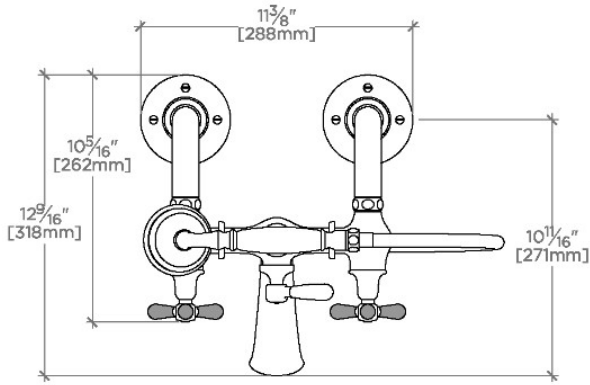
PRODUCT (NOTES)

WATERWORKS

Riverun

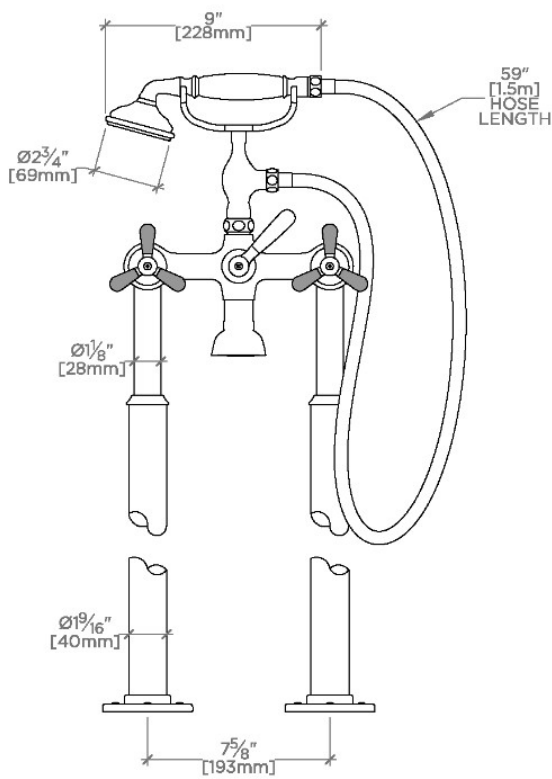
RRXT60

Riverun Floor Mounted Exposed Tub Filler with Handshower and Two-Tone Tri-Spoke Handles



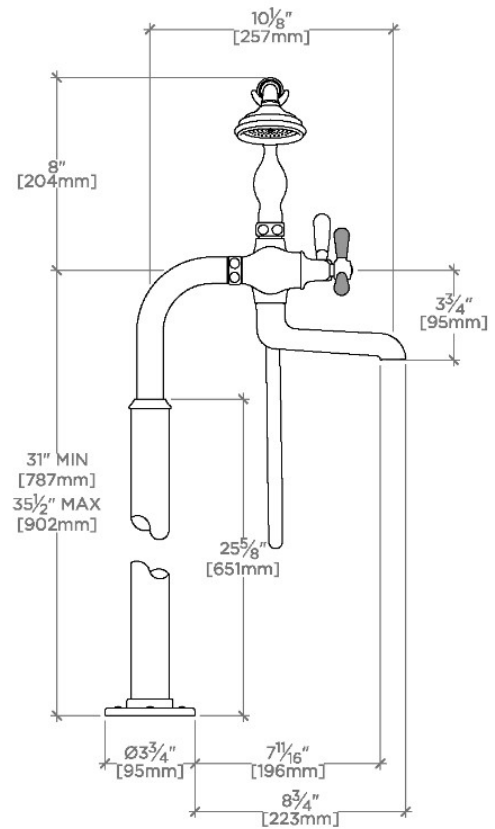
TOP VIEW

SCALE: 1/2"=1'-0"



FRONT VIEW

SCALE: 1/2"=1'-0"



SIDE VIEW

SCALE: 1/2"=1'-0"