

Finot

NOHS10

Finot Handshower on Bar



SHOWN IN FINOT HANDSHOWER ON BAR | NOHS10

TECHNICAL DETAILS

ADA Compliance: When installed per ADA guidelines
 Adjustable Versus Fixed Spray: Fixed Spray
 Fittings Hole Diameter: 35 mm
 Handshower Spray Hose Length: 1.5 m
 Inlet Connection Size: 1/2"
 Inlet Connection Type: Female NPT
 Integrated Diverter: N
 Pivot: Y
 Primary Material: Brass
 Restricted Maximum Flow Rate: 6.6 liters/min
 Water Pressure Maximum: 6.0 bar
 Water Pressure Minimum: 1.5 bar
 Water Pressure Recommended: 3.0 bar

INSPIRATION

Finot seamlessly blends meticulous details with contemporary sensibility. A true integration of design and engineering expertise, this collection is comprised of parts that are decisively cast and forged to achieve painstaking precision and refinement.

CODES & STANDARDS

NOHS10-F.RX, ASME A112.18.1/CSA B125.1, Waterworks Handshowers use check valves compliant to ASME A112.18.3 for backflow protection. CEC(1.5GPM & 1.75GPM Only), DOE, State of MA

PRODUCT FEATURES

Features a Fixed Spray Pattern

Available in 1.75gpm (6.6L/min) Flow Rate

Stocked In Chrome, Nickel, Brass and Dark Nickel

CERTIFICATIONS

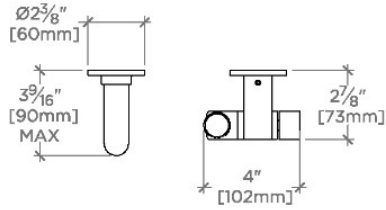


PRODUCT (NOTES)

Finot

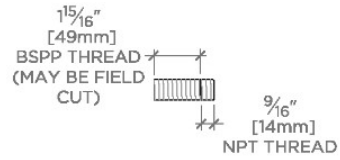
NOHS10

Finot Handshower on Bar

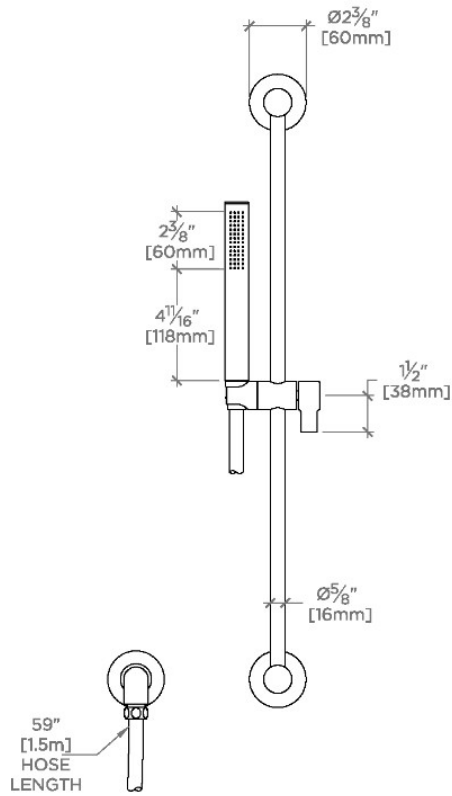


TOP VIEW

SCALE: 1/2"=1'-0"

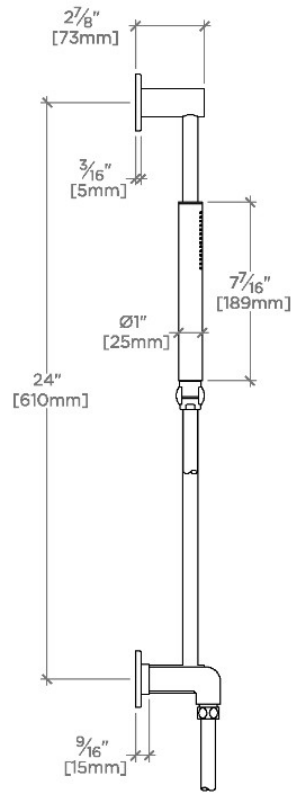


ADAPTER INCLUDED-
INTERNATIONAL USE ONLY



FRONT VIEW

SCALE: 1/2"=1'-0"



SIDE VIEW

SCALE: 1/2"=1'-0"