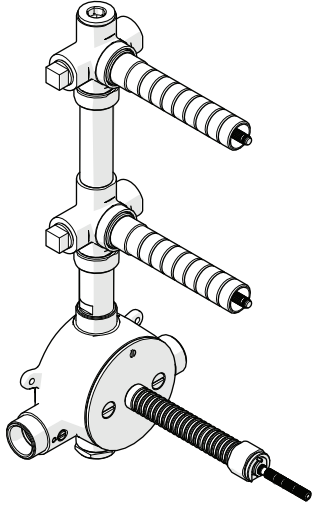


# WATERWORKS

## INSTALLATION GUIDELINES

### STYLE NO. GUTH74, GU74TH†



#### IMPORTANT:

- To ensure this VALVE is installed properly, you must read and follow these guidelines.
- The owner/user of this VALVE must keep this information for future reference.
- This VALVE and associated TRIM (SOLD SEPARATELY) must be installed by a professional licensed contractor and must be on-site prior to rough-in. This allows the installer to visualize the installation.
- **CAUTION:** The VALVE rough-in depth is measured from the center of the inlets to the surface of the finished wall and **VARIABLES** depending on the TRIM being used.
- This VALVE is sold partially assembled but shown fully disassembled for illustrative and service purposes only. Inspect the VALVE to ensure you have all the parts required for proper installation.
- This VALVE features anti-scald protection. The risk of scalding exists until the installer has properly calibrated/adjusted the temperature setting during final TRIM installation.
- Be sure your installation conforms to all federal, state, and local codes. In the State of Massachusetts, all installations must comply with the rules and regulations set forth within 248 CMR.
- Supply fittings are designed in accordance with pressure and temperature ratings specified in ASME A112.18.1/B125.

STYLE No. GUTH74, GU74TH

ViaWorks 3/4" Thermostatic Valve with Integrated Bypass Dual Volume Controls

- If this VALVE will remain unused for an extended period of time (over 3 months), then the water to the VALVE should be shut off (via service stops or system control valve) and a diverter or wall valve(s) should be opened to allow the water in the THERMOSTATIC VALVE to evaporate. This is to keep the CARTRIDGE from being exposed to stagnant or hard water, which can cause the VALVE to malfunction.
- If further assistance is required, please contact Product Support at 1-800-927-2120 Monday through Friday, 8am - 6pm EST.
- Refer to the separate Service Parts Documents for available replacement parts.

#### VALVE FUNCTION:

- The THERMOSTATIC VALVE only mixes hot and cold water, it does not have an on/off/volume control function. Mixed water flows out at a fixed volume to the INTEGRATED VOLUME CONTROL VALVES which control on/off/volume.
- This THERMOSTATIC VALVE has an optional 3/4" Female NPT bottom outlet port that can be used to supply water to additional fittings which will **REQUIRE** a separate diverter or wall valves and trims.
- **ALL VALVES AND TRIMS SOLD SEPARATELY.**

#### TECHNICAL DETAILS:

DETAIL	SPECIFICATION
INLET CONNECTION	3/4" FEMALE NPT †
OUTLET CONNECTION	1/2" FEMALE NPT †
OUTLET CONNECTION [OPTIONAL BOTTOM OUTLET]	3/4" FEMALE NPT†
UNRESTRICTED MAX FLOW RATE @ 45 PSI [3 bar]	9.7 GPM [36L/min]
WATER PRESSURE MAXIMUM	85psi [6.0 bar]
WATER PRESSURE MINIMUM	20psi [1.5 bar]
WATER PRESSURE RECOMMENDED	45psi [3.0 bar]

† Style No. **GU74TH** is provided with 7 **BSPP** ADAPTERS. ADAPTERS are packaged separately and assembly is required. Replacement ADAPTERS can be ordered separately.

- Universal 3/4" Male NPT x 3/4" Female BSPP Adapter  
Style No. UNUK01
- Universal 1/2" Male NPT x 1/2" Female BSPP Adapter  
Style No. UNUK02

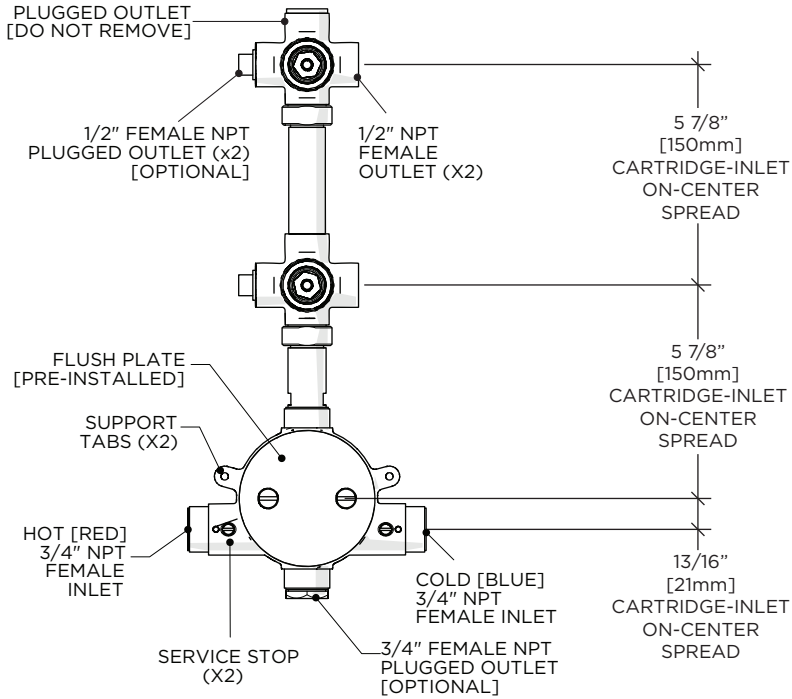
# WATERWORKS

## INSTALLATION GUIDELINES

STYLE No. GUTH74, GU74TH

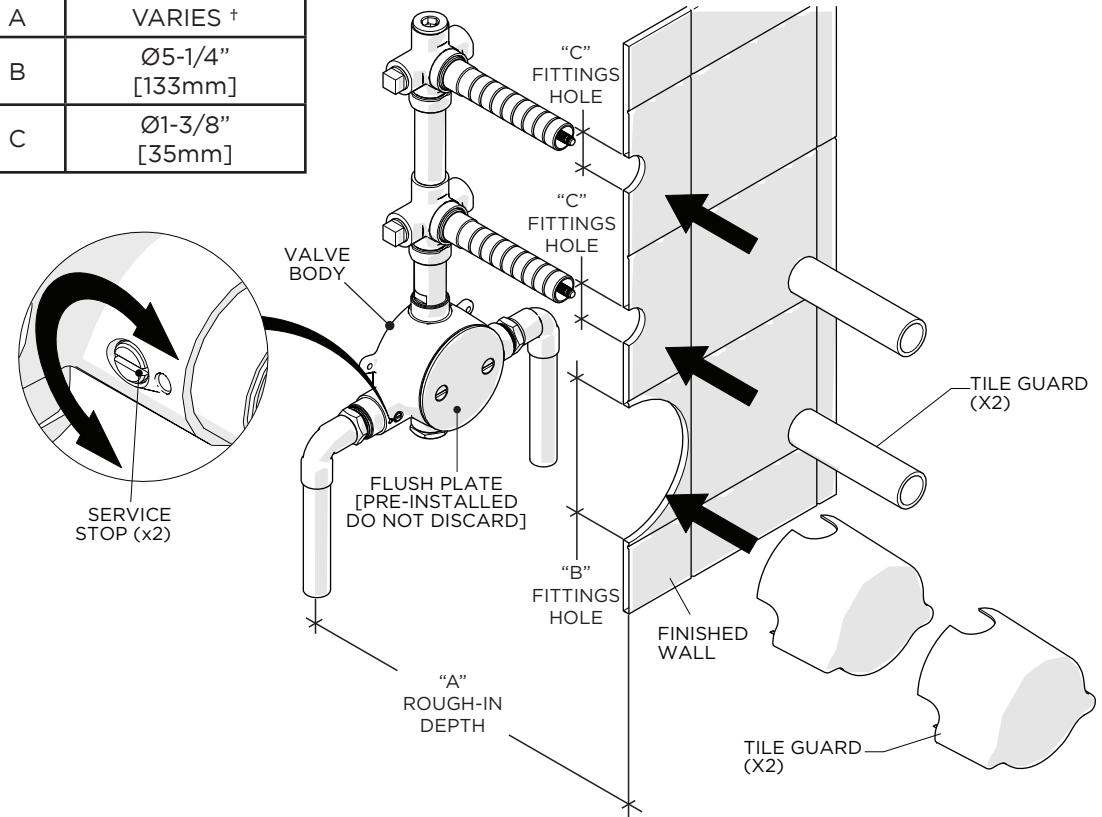
ViaWorks 3/4" Thermostatic Valve with Integrated Bypass Dual Volume Controls

### ROUGH-IN AND VALVE PREPARATION:

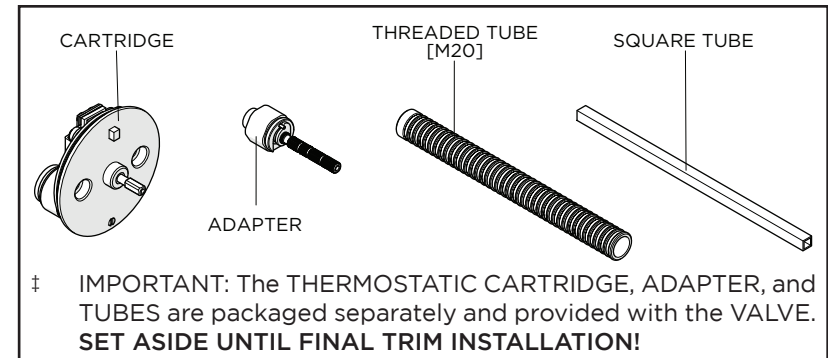


- Check incoming water pressure.
- The rough-in depth is measured from the centerline of the inlets to the surface of the finished wall and **VARIES** depending on the TRIM being used.
- **CAUTION: DO NOT APPLY DIRECT HEAT TO THE VALVE.** Pre-solder any connections to prevent damage to the SERVICE STOP SEALS, THERMOSTATIC CARTRIDGE, and other internal components.
- This VALVE is shipped with a pre-installed FLUSH PLATE and is ready for flushing the lines.
- Before installing the THERMOSTATIC CARTRIDGE, the supply lines MUST BE flushed out to prevent clogging of the FILTER SCREENS.
- Failure to flush the lines will permanently damage the CARTRIDGE and **VOID** the warranty. Repeat the flushing process as needed prior to final TRIM installation.
- This VALVE includes integrated SERVICE STOPS. Make sure the TILE GUARDS are in place prior to finished wall installation to ensure future access for servicing.

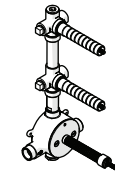
DIM	VALUE
A	VARIES †
B	Ø5-1/4" [133mm]
C	Ø1-3/8" [35mm]



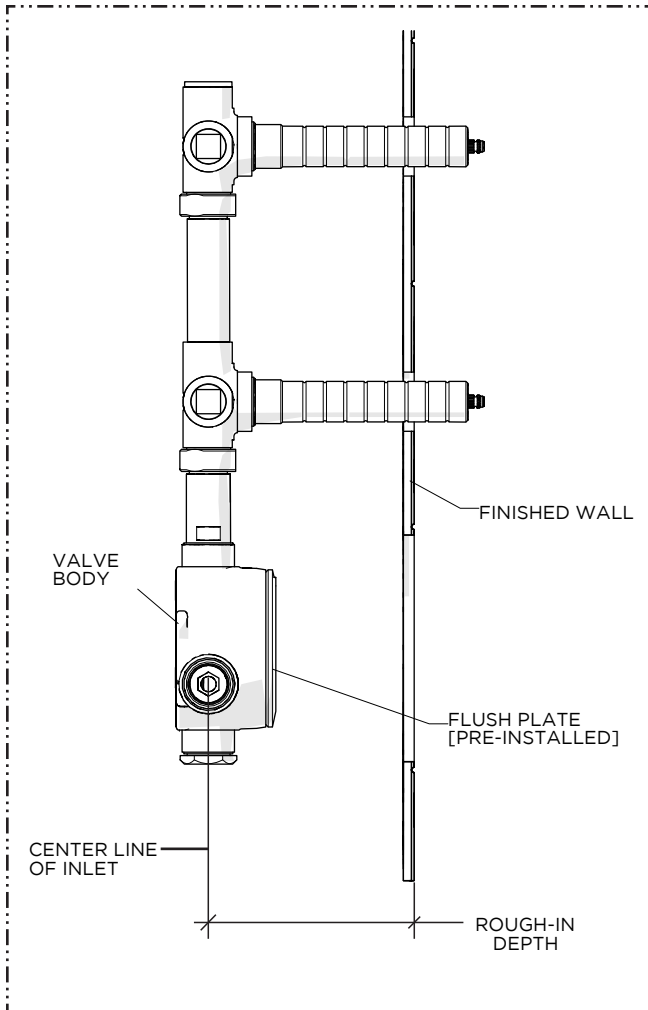
† Refer to the Installation Guidelines of the specific TRIM being used for the **MAXIMUM** and **MINIMUM** rough-in depth dimensions.



# WATERWORKS INSTALLATION GUIDELINES

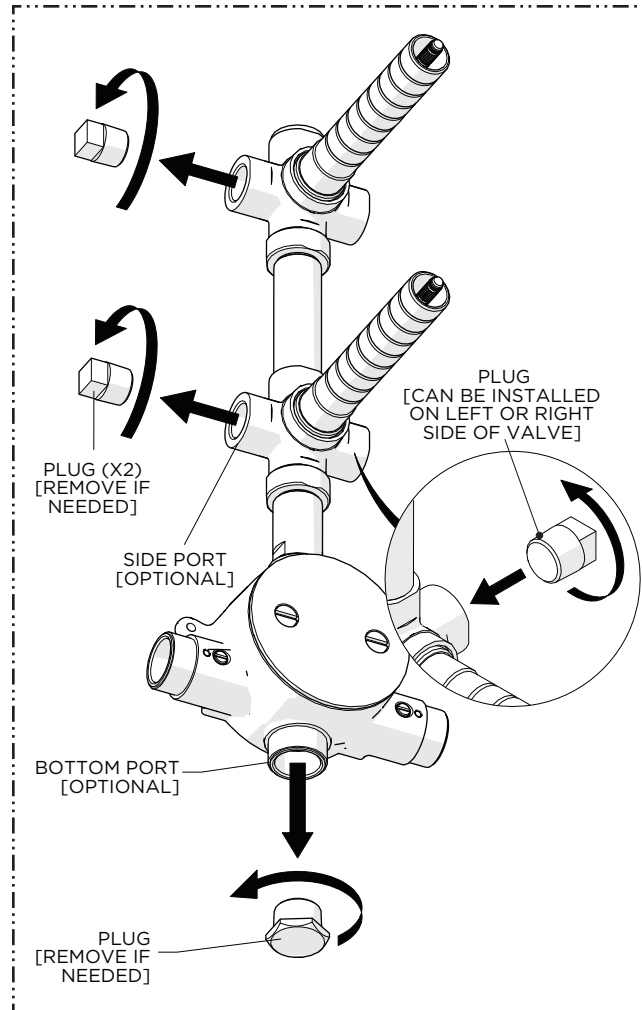


STYLE No. GUTH74, GU74TH  
ViaWorks 3/4" Thermostatic Valve with  
Integrated Bypass Dual Volume Controls



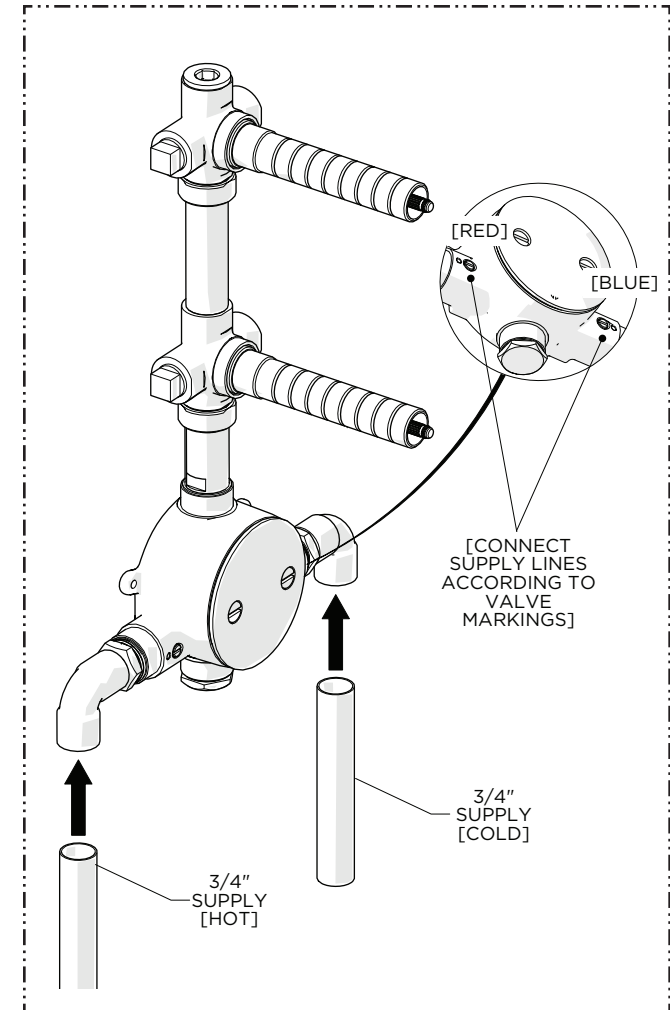
1. See the Installation Guidelines of the specific TRIM (sold separately) being used for the **MAX** and **MIN** rough-in depth dimensions.

**NOTE:** The rough-in depth is measured from the centerline of the inlets to the surface of the finished wall.



2. **OPTIONAL BOTTOM AND SIDE PORTS**

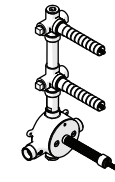
- If port(s) **WILL BE** used to supply water to an additional fitting, remove the PLUG(S) or,
- If port(s) **WILL NOT BE** used, make sure the PLUG(S) are securely tightened into the VALVE BODY using a pipe thread sealant.



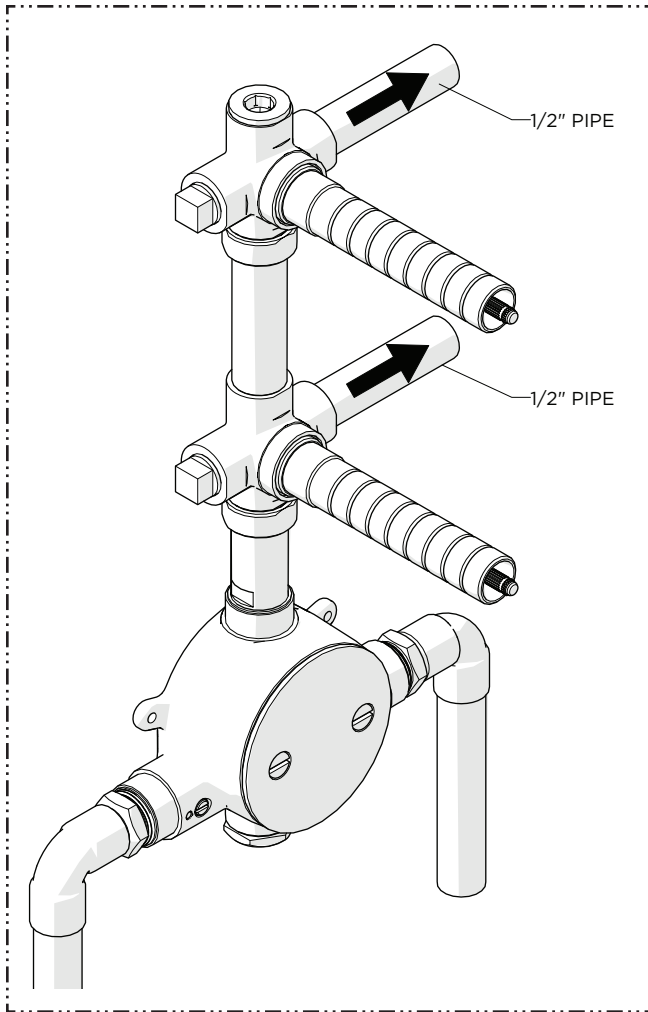
3. Run 3/4" supply lines to the proper height and depth of the VALVE INLETS making sure they are piped according to the VALVE markings and all piping and fittings are properly secured.

**NOTE:** Style No. **GU74TH** is provided with 3/4" BSSP ADAPTERS.

# WATERWORKS INSTALLATION GUIDELINES

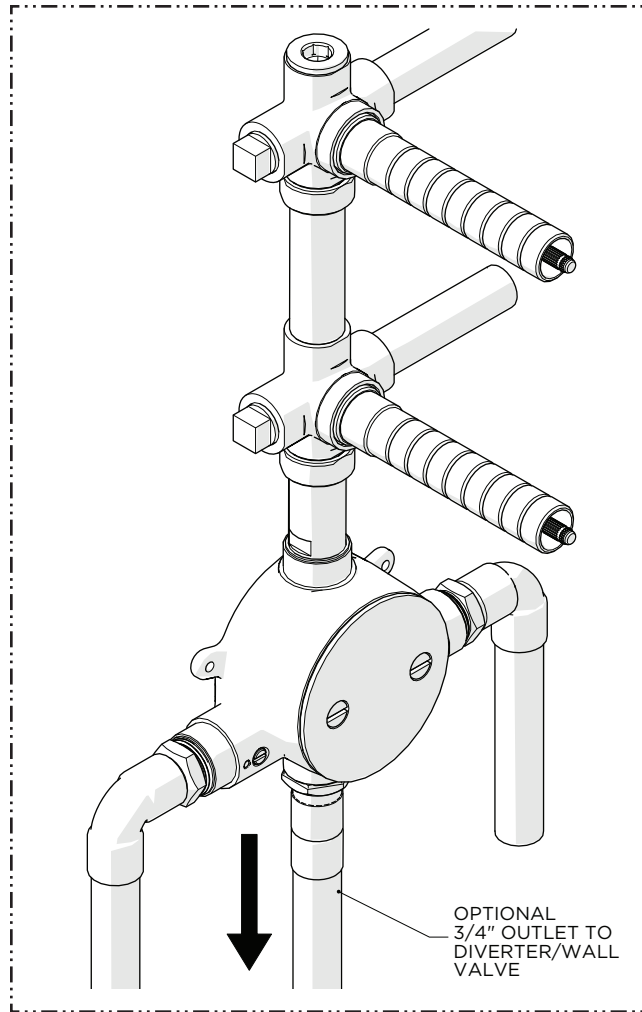


STYLE No. GUTH74, GU74TH  
ViaWorks 3/4" Thermostatic Valve with  
Integrated Bypass Dual Volume Controls



- Run 1/2" piping from the side outlets being used to the desired end fittings (sold separately) making sure to secure all piping and fittings.

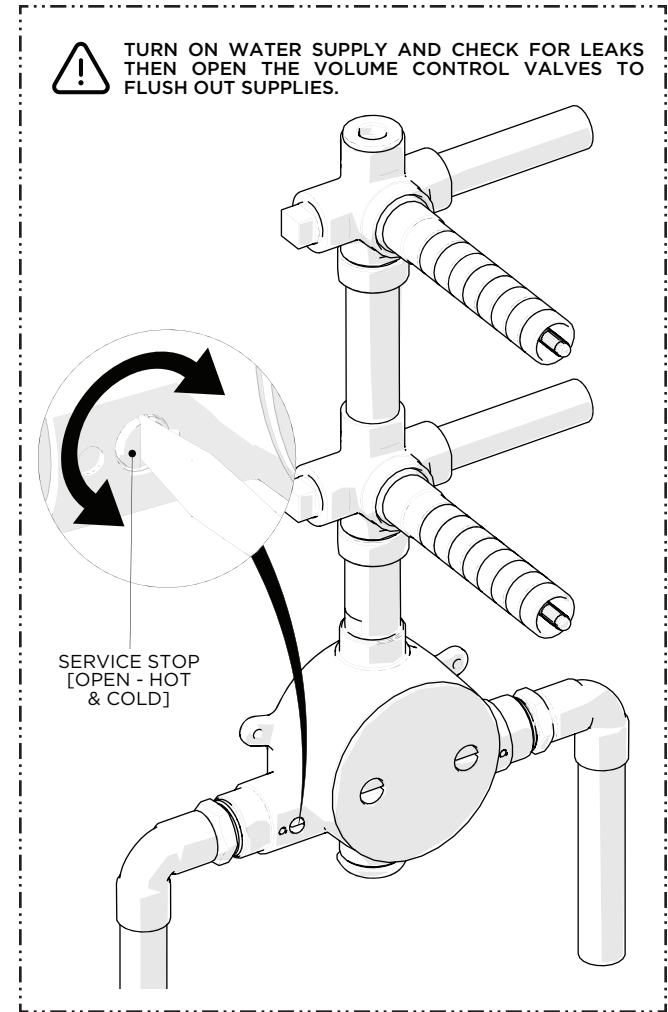
**NOTE:** Style No. GU74TH is provided with 1/2" BSPP ADAPTERS.



## OPTIONAL OUTLET

- Run 3/4" piping from the bottom outlet, if being used, to a separate diverter/wall valve (sold separately) making sure to secure all piping and fittings.

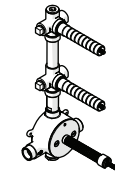
**NOTE:** A diverter/wall valve **must be** installed for each fitting that will have water flowing to it.



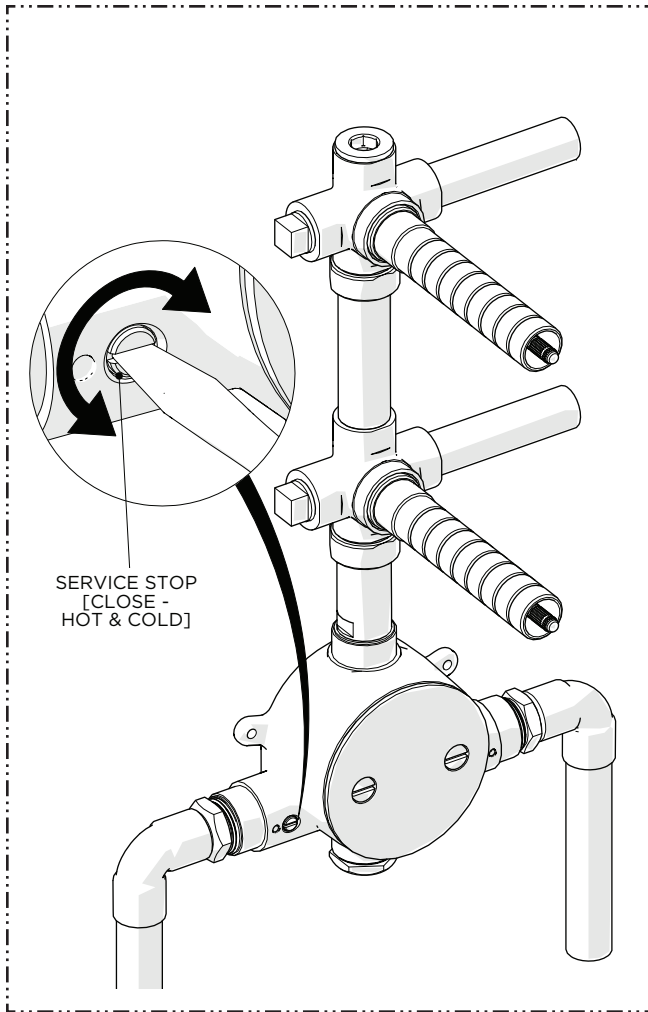
- Turn on the water supplies then open the SERVICE STOPS (hot & cold) and open the VOLUME CONTROL VALVES to flush out the lines and check for leaks.

**CAUTION: FAILURE TO FLUSH THE SUPPLY LINES WILL PERMANENTLY DAMAGE THE CARTRIDGE AND VOID THE WARRANTY!**

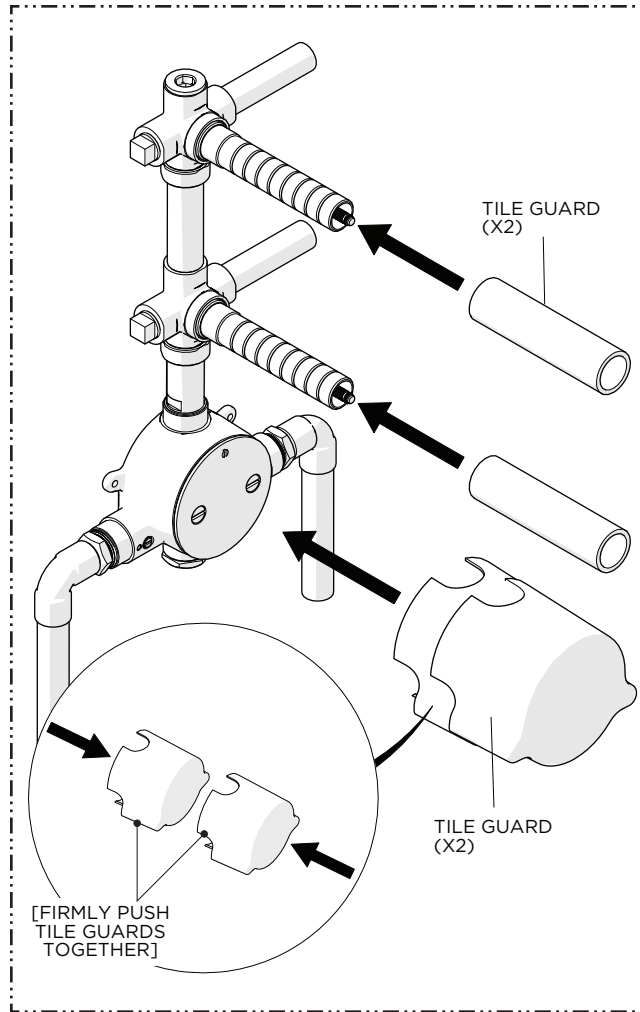
# WATERWORKS INSTALLATION GUIDELINES



STYLE No. GUTH74, GU74TH  
ViaWorks 3/4" Thermostatic Valve with  
Integrated Bypass Dual Volume Controls



7. After the supply lines have been fully flushed, turn off the water and close the SERVICE STOPS (hot & cold).

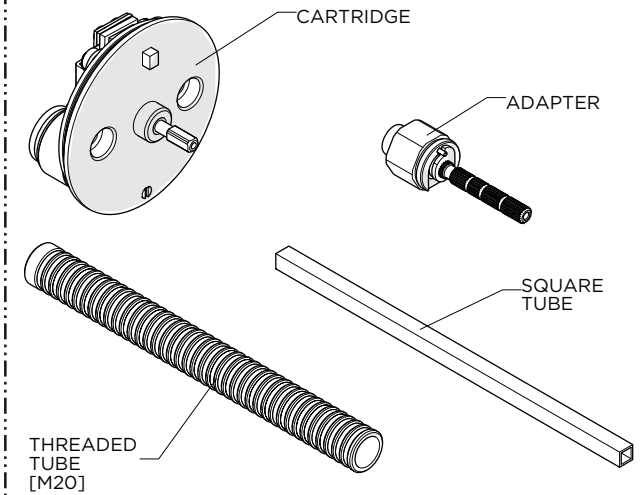


8. Place the TILE GUARDS onto the VALVE making sure they are FULLY seated and do **NOT** remove until construction is completed. Ensure the TILE GUARDS for the THERMOSTATIC VALVE are firmly push together before attaching them to the VALVE.

**NOTE:** This will ensure the exact opening to allow access to the SERVICE STOPS for future servicing.



SET ASIDE UNTIL FINAL TRIM INSTALLATION!  
FLUSH SUPPLY LINES BEFORE INSTALLING CARTRIDGE.



## IMPORTANT

9. SET ASIDE THE THERMOSTATIC CARTRIDGE, ADAPTER, AND TUBES UNTIL FINAL TRIM INSTALLATION MAKING SURE TO REPEAT THE FLUSHING PROCESS AS NEEDED BEFORE INSTALLING THE CARTRIDGE.