

## Riverun

RR41XT

Riverun Deck Mounted Exposed Tub Filler with Handshower and Tri-Spoke Handles



SHOWN IN RIVERUN DECK MOUNTED EXPOSED TUB FILLER WITH HANDSHOWER AND TRI-SPOKE HANDLES | RR41XT

### TECHNICAL DETAILS

ADA Compliance: No  
 Adjustable Versus Fixed Spray: Fixed  
 Deck Thickness Maximum: 29 mm  
 Diameter Of Legs Tubes: 29 mm  
 Fittings Hole Diameter: 32 mm  
 Handle Spread Maximum: 194 mm  
 Handle Spread Minimum: 194 mm  
 Handle Turn Angle: Quarter Turn  
 Handshower Spray Hose Length: 1.5 m  
 Inlet Connection Size: 3/4"  
 Inlet Connection Type: Male BSPP  
 Inlet Supply Spread Maximum: 194 mm  
 Inlet Supply Spread Minimum: 194 mm  
 Integrated Diverter: Y  
 Integrated Spray: N  
 Number Of Holes: Two Hole  
 Pivot: N  
 Primary Material: Brass  
 Restricted Maximum Flow Rate: 6.6 liters/min  
 Spout Swivel: N  
 Spray Included In Unit: Y  
 Valve Material: Ceramic  
 Water Pressure Maximum: 6.0 bar  
 Water Pressure Minimum: 1.5 bar  
 Water Pressure Recommended: 3.0 bar

### INSPIRATION

This new American classic was designed with simplicity in mind. Featuring streamlined forms and honest details, it's the epitome of quiet elegance.

### CODES & STANDARDS

### PRODUCT FEATURES

Features All Metal Tri-Spoke Handle.

Diverter handle allows bather to move water from spout to handshower.

The Handshower offers a fixed spray pattern

Stocked in Nickel and Brass

Unrestricted flow for tub spout. Handshower available in 1.75gpm (6.6L/min) flow rate

### CERTIFICATIONS

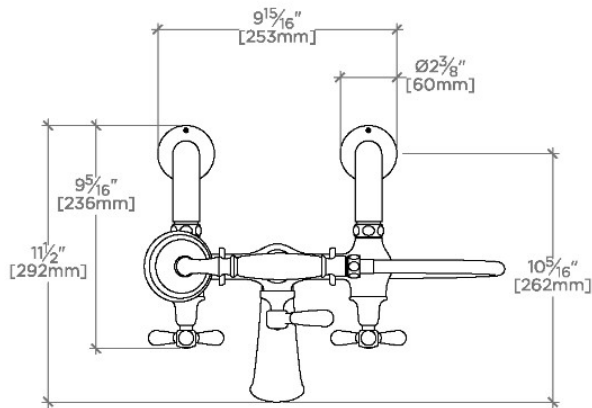
### PRODUCT (NOTES)

# WATERWORKS

## Riverun

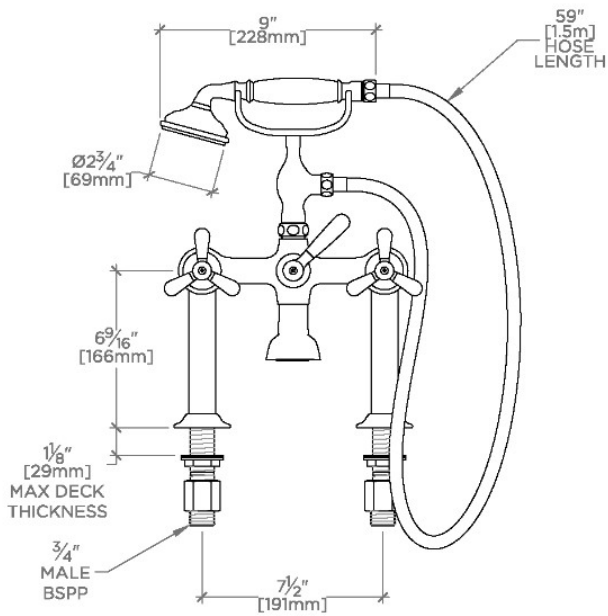
RR41XT

Riverun Deck Mounted Exposed Tub Filler with Handshower and Tri-Spoke Handles



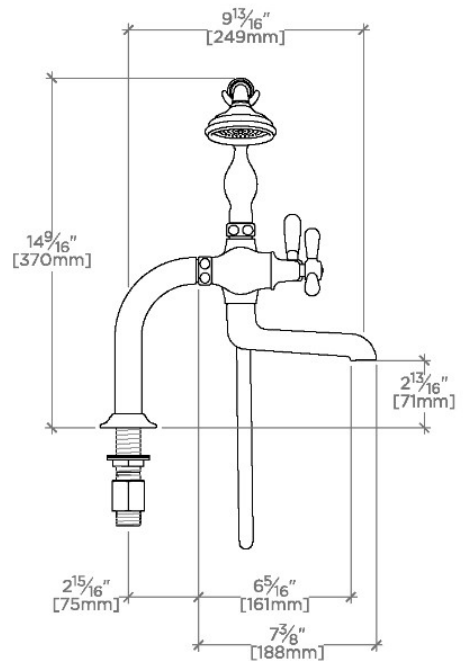
TOP VIEW

SCALE: 1/2"=1'-0"



FRONT VIEW

SCALE: 1/2"=1'-0"



SIDE VIEW

SCALE: 1/2"=1'-0"