

DASH

DSXT30

Dash Wall Mounted Exposed Tub Filler with Metal Handshower and Lever Handles



SHOWN IN DASH WALL MOUNTED EXPOSED TUB FILLER WITH METAL HANDSHOWER AND LEVER HANDLES | DSXT30

TECHNICAL DETAILS

ADA Compliance: No
 Adjustable Versus Fixed Spray: Fixed Spray
 Depth/Width: 10 11/16"
 Diameter Of Head: 2 3/8"
 Escutcheon Primary Material: Brass
 Fittings Hole Diameter: 1 1/8"
 Flow Restriction Options: 2.5, 2.2, 2.0, 1.75, 1.5, 1.2, 0.92
 Handle Spread Maximum: 8"
 Handle Spread Minimum: 8"
 Handle Turn Angle: Quarter Turn
 Handshower Spray Hose Length: 59"
 Height: 14 1/8"
 Inlet Connection Size: 3/4"
 Inlet Connection Type: Copper Sweat
 Inlet Supply Spread Maximum: 8"
 Inlet Supply Spread Minimum: 8"
 Installation Type: Wall Mounted
 Integrated Diverter: N
 Integrated Spray: N
 Length: 17 1/16"
 Number Of Handles: Two
 Number Of Holes: Two Hole
 Pivot: Y
 Primary Material: Brass
 Spout Swivel: N
 Spray Included In Unit: Y
 Suggested Application: Bath
 Valve Material: Ceramic
 Water Pressure Maximum: 85.0 psi
 Water Pressure Minimum: 20.0 psi
 Water Pressure Recommended: 45.0 psi

INSPIRATION

A blend of art and function, Dash pays homage to design elements of the 1930s with pared-down shapes, softened curves and minimal details.

CODES & STANDARDS

State of MA

PRODUCT FEATURES

Metal Lever Handle

Includes Required Unions for Mounting

Handshower hook features adjustability to pivot the handshower forwards or backwards

Stocked in Nickel, Chrome, Unlacquered Brass, and Matte Nickel finishes

Stocked in 2.5gpm (9.5 L/min) and 1.75gpm (6.6 L/min) for handshower. State of California requires 1.75gpm (6.6 L/min) to comply with their water conservation requirements. Other flow options are available to order, contact your sales associate or call 1 (800) 899-6757 for details.

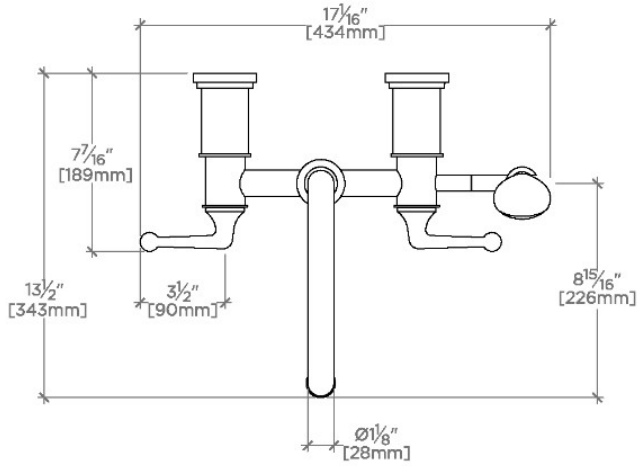
CERTIFICATIONS

PRODUCT (NOTES)

DASH

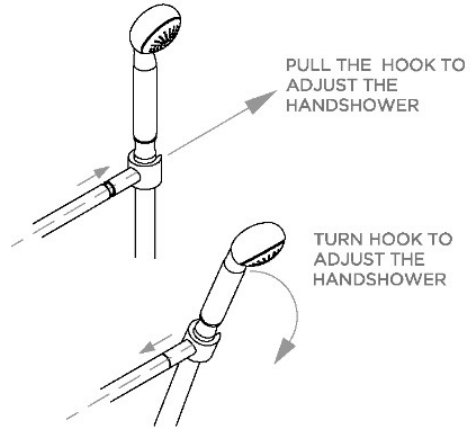
DSXT30

Dash Wall Mounted Exposed Tub Filler with Metal Handshower and Lever Handles



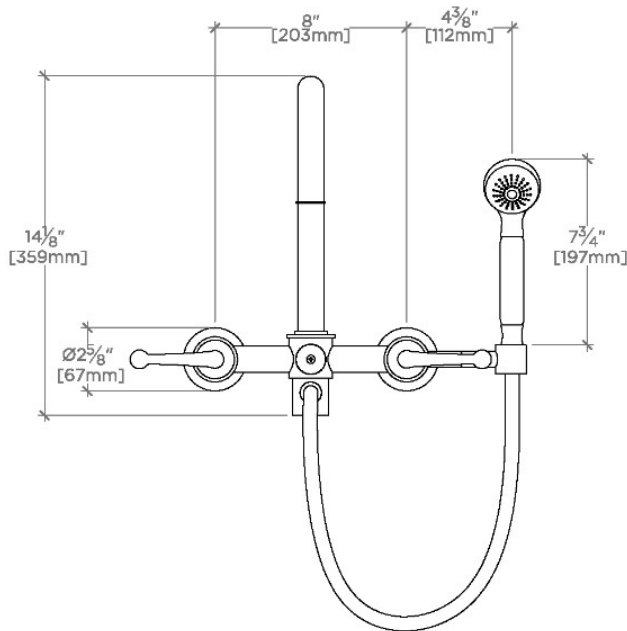
TOP VIEW

SCALE: 1/2"=1'-0"



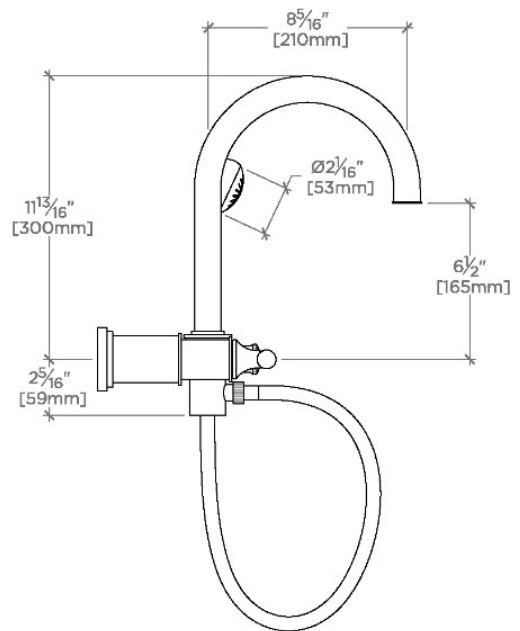
HANDSHOWER ADJUSTMENT

SCALE: 1/2"=1'-0"



FRONT VIEW

SCALE: 1/2"=1'-0"



SIDE VIEW

SCALE: 1/2"=1'-0"