

## JULIA

Julia Three Hole High Profile Kitchen Faucet, Metal Lever Handles and Spray

## JUKM19



### TECHNICAL DETAILS

ADA Compliance: Yes  
Adjustable versus Fixed Spray: Fixed Spray  
Deck Thickness Maximum: 1 1/2"  
Deck Thickness Minimum: 0"  
Escutcheon Primary Material: Brass  
Fittings Hole Diameter: 1 1/4"  
Flow Restriction Options: 2.0, 1.75, 1.5  
Handle Spread Maximum: 12"  
Handle Spread Minimum: 8"  
Handle Turn Angle: Quarter Turn  
Index Color / Finish and Material: Architectural Bronze  
Depth / Width: 11 1/2"  
Height: 9 5/8"  
Index Marking: H/C  
Inlet Connection Size: 1/2"  
Inlet Connection Type: Male With Supply Nut  
Inlet Supply Spread Maximum: 12"  
Inlet Supply Spread Minimum: 8"  
Integrated Diverter: Y  
Length: 18 1/4"  
Number of Handles: Two  
Number of Holes: Four Hole  
Primary Material: Brass  
Restricted Maximum Flow Rate: 2.2 gpm  
Spout Swivel: Y  
Spray Included in Unit: Y  
Suggested Application: Bar, Kitchen, Laundry  
Valve Material: Ceramic  
Water Pressure Maximum: 85.0 psi  
Water Pressure Minimum: 20.0 psi  
Water Pressure Recommended: 45.0 psi

### INSPIRATION

An interpretation of 1920s French country, Julia speaks to decoration and intricate design displayed through beautifully composed turnings. These details embody the robust, signature high profile spout enabling Julia to transition fluidly from informal to formal environments.

### CODES & STANDARDS

Code # JUKM19: Complies with ASME A112.18.1/CSA B125.1, NSF, CEC, ADA and 0.25% Weighted Average Lead Content. Certified with CEC, DOE and State of MA.

### PRODUCT FEATURES

Metal lever handles  
Integrated diverter to divert water between spout and side spray  
Features signature detail of the graceful, high profile swivel spout  
Stocked in Chrome, Nickel, Matte Nickel, and Unlacquered Brass  
Stocked in 2.5gpm (9.5L/min) flow rate. Alternate flow regulation of 1.75gpm (6.6/min) also available as special order

### CERTIFICATIONS

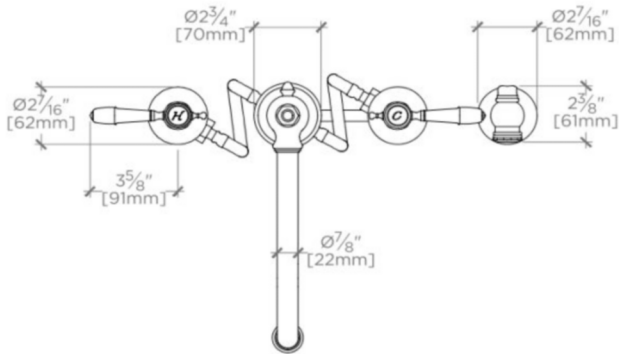


# WATERWORKS

## JULIA

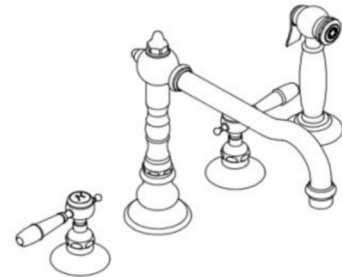
## JUKM19

Julia Three Hole High Profile Kitchen Faucet, Metal Lever Handles and Spray



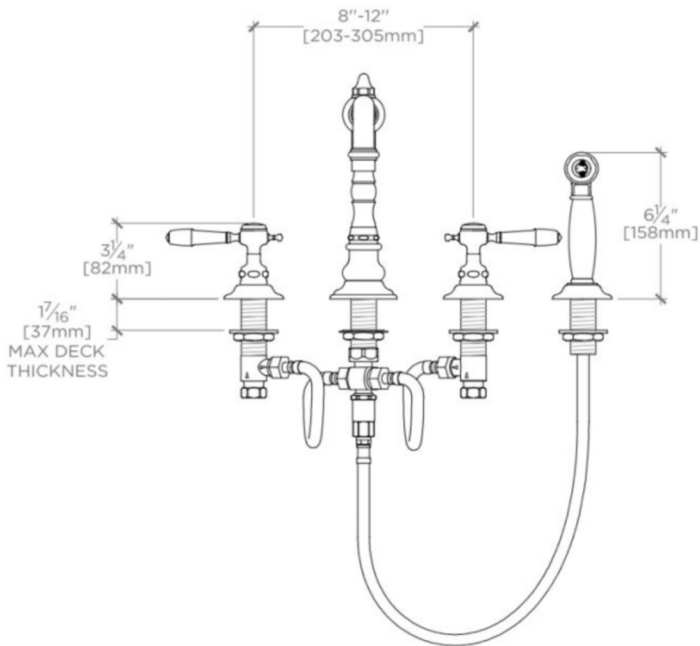
TOP VIEW

SCALE: 1 1/2"=1'-0"



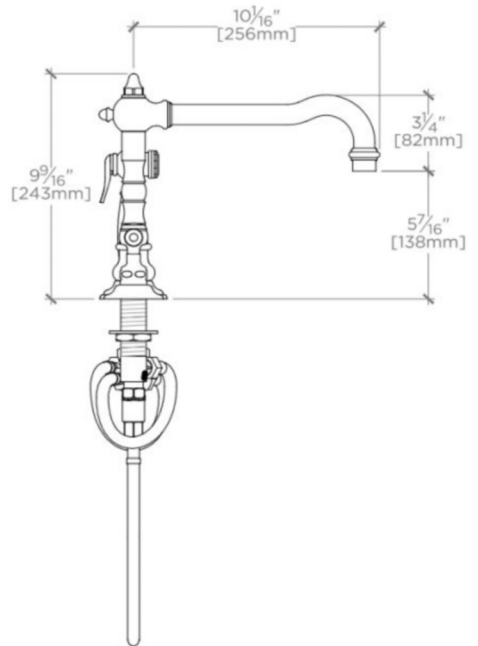
ISO VIEW

SCALE: 1 1/2"=1'-0"



FRONT VIEW

SCALE: 1 1/2"=1'-0"



SIDE VIEW

SCALE: 1 1/2"=1'-0"