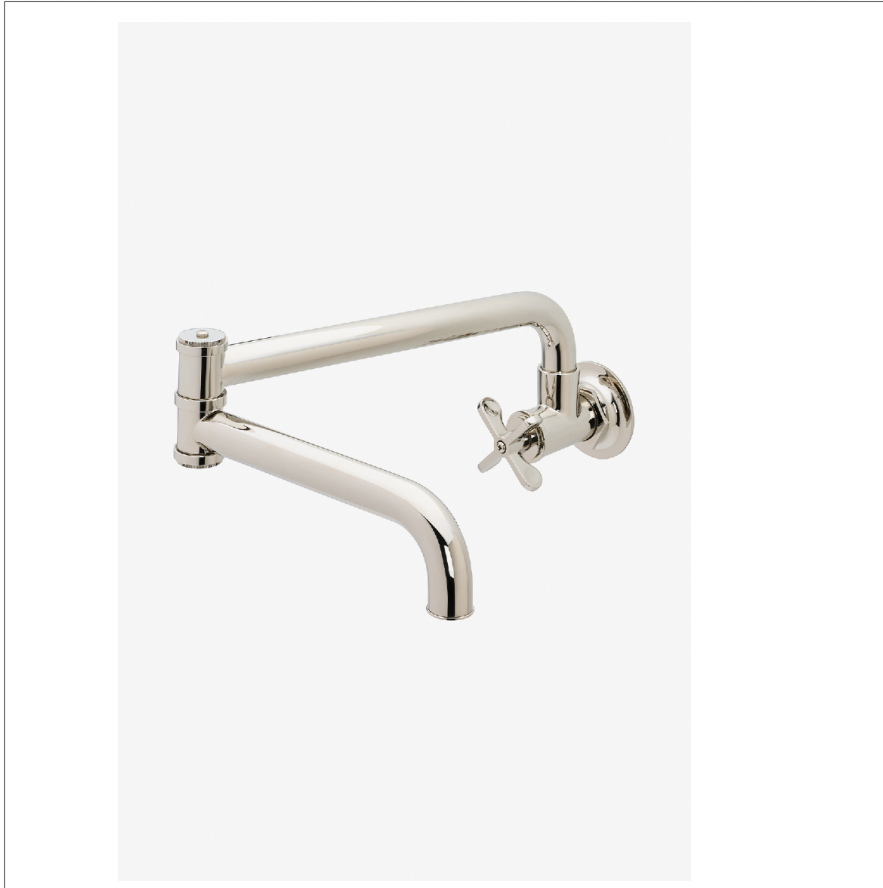


## Henry

HPF101

Henry Wall Mounted Articulated Pot Filler with Cross Handle



SHOWN IN HENRY WALL MOUNTED ARTICULATED POT FILLER WITH CROSS HANDLE | HPF101

### TECHNICAL DETAILS

Fittings Hole Diameter: 32 mm  
Handle Turn Angle: Quarter Turn  
Inlet Connection Size: 1/2"  
Inlet Connection Type: Female NPT  
Spout Swivel: Y  
Valve Material: Brass and Ceramic  
Water Pressure Maximum: 6.0 bar  
Water Pressure Minimum: 1.5 bar  
Water Pressure Recommended: 3.0 bar

### INSPIRATION

Celebrating the connection of industry and art, Henry transitions effortlessly between modern, traditional, and classic settings. These iconic fittings blend 19th-century industrial and artistic references for a look that's forever of the moment—familiar yet wholly original.

### CODES & STANDARDS

HPF101X, NSF/ANSI/CAN 61:Q < 1, NSF/ANSI/CAN 372, ASME A112.18.1/CSA B125.1

### PRODUCT FEATURES

Features Cross Handle

Stocked In Chrome, Nickel, Brass and Dark Nickel

Wall Mounted Articulated spout offers cold water only

### CERTIFICATIONS

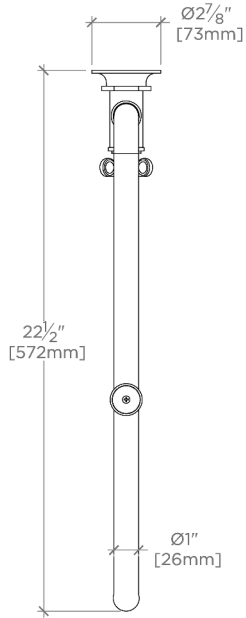


### PRODUCT (NOTES)

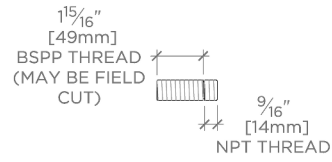
## Henry

## HPF101

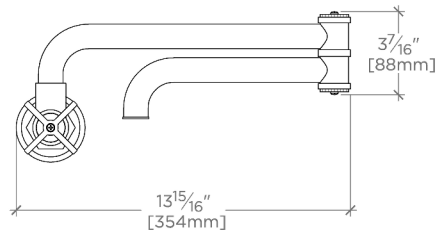
Henry Wall Mounted Articulated Pot Filler with Cross Handle



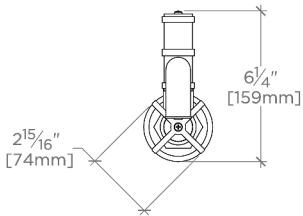
TOP VIEW SCALE: 1/2"=1'-0"



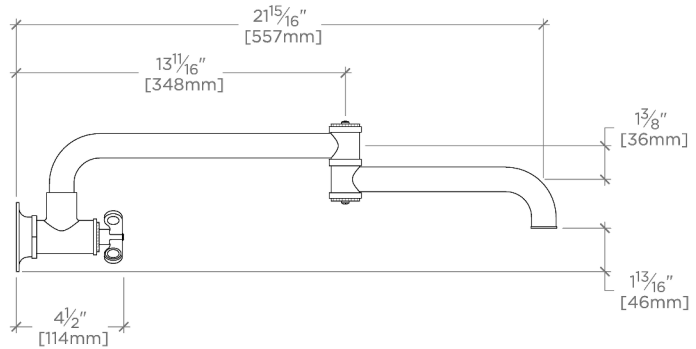
ADAPTER INCLUDED - INTERNATIONAL USE ONLY



FOLDED VIEW SCALE: 1/2"=1'-0"



FRONT VIEW SCALE: 1/2"=1'-0"



SIDE VIEW SCALE: 1/2"=1'-0"