

ViaWorks 1/2" Pressure Balance Valve



SHOWN IN VIAWORKS 1/2" PRESSURE BALANCE VALVE | GUPB01

TECHNICAL DETAILS

Fittings Hole Diameter: 3 1/2"
 Inlet Connection Size: 1/2"
 Inlet Connection Type: Male NPT or Copper Sweat
 Integrated Diverter: N
 Outlet Connection Size: 1/2"
 Outlet Connection Type: Male NPT or Copper Sweat
 Primary Material: Brass
 Safety Warnings: The risk of scalding exists until the installer has properly set the temperature high limit stop screw.
 Valve Material: Brass/Stainless Steel/Rubber
 Water Pressure Maximum: 85.0 psi
 Water Pressure Minimum: 20.0 psi
 Water Pressure Recommended: 45.0 psi

INSPIRATION

The ViaWorks collection encompasses all Waterworks valves, which are just as impeccably engineered as our legendary fittings and the finest the industry has to offer in terms of performance, features and functionality. ViaWorks valves are engineered with more than three generations of bath and kitchen expertise, each with installers and lifelong service in mind.

CODES & STANDARDS

CSA Model Number GUPB01 - ASSE 1016/ASME
 A112.1016/CSA B125.16

PRODUCT FEATURES

- Integrated anti-scald protection
- Dual 1/2" Male NPT or 1/2" Copper Sweat inlets and outlet
- 4gpm [15L/min] at 60psi [4bar]
- For use with showerhead rate at 1.0gpm [3.8L/min] or higher
- Single handle ON/OFF with tempature control

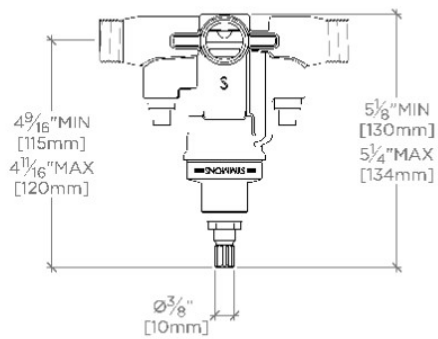
CERTIFICATIONS



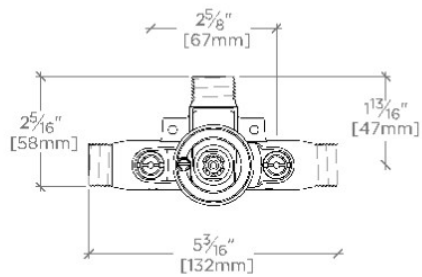
PRODUCT (NOTES)

The risk of scalding exists until the installer has properly set the temperature high limit stop screw.

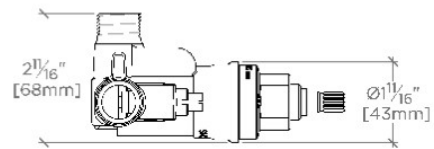
ViaWorks 1/2" Pressure Balance Valve



TOP VIEW SCALE: 3"=1'-0"



FRONT VIEW SCALE: 3"=1'-0"



SIDE VIEW SCALE: 3"=1'-0"