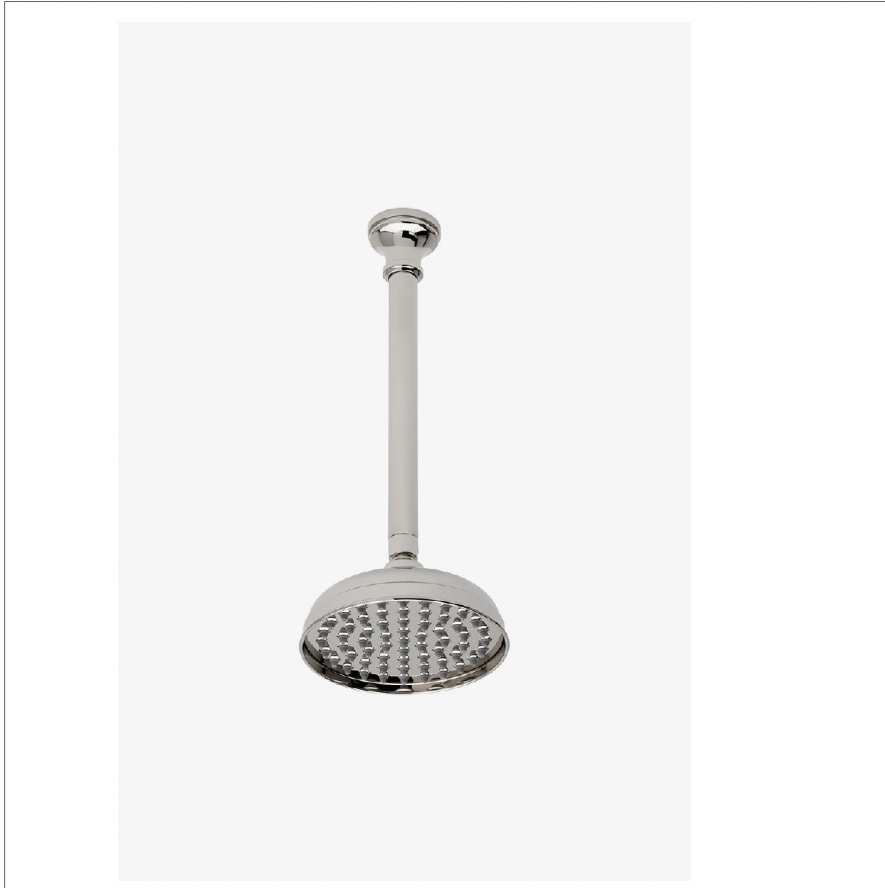


Etoile

ETS161

Etoile 6" Showerhead with 12" Ceiling Mounted Shower Arm



SHOWN IN ETOILE 6" SHOWERHEAD WITH 12" CEILING MOUNTED SHOWER ARM | ETS161

TECHNICAL DETAILS

Adjustable Versus Fixed Spray: Fixed
Fittings Hole Diameter: 32 mm
Flow Restriction Options: 1.5, 1.75, 2.0
Inlet Connection Size: 1/2"
Inlet Connection Type: Male NPT
Pivot: Y
Primary Material: Brass
Restricted Maximum Flow Rate: 6.6 liters/min
Water Pressure Maximum: 6.0 bar
Water Pressure Minimum: 1.5 bar
Water Pressure Recommended: 3.0 bar

INSPIRATION

Defined elegance. Etoile has a European sophistication with a timeless sense of chic.

CODES & STANDARDS

ETS161X, ASME A112.18.1/CSA B125.1, CEC(1.5GPM & 1.75GPM Only), WaterSense(1.5GPM, 1.75GPM & 2.0GPM Only), DOE, State of MA

PRODUCT FEATURES

Made of Brass

Features a swivel 6" showerhead with easy clean rubber nozzles

Includes a 12" ceiling mounted shower arm

Stocked in Brass, Chrome, Nickel and Matte Nickel

Showerhead available in 1.75gpm (6.6L/min) flow rate

CERTIFICATIONS



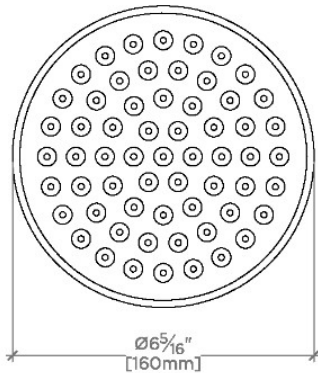
PRODUCT (NOTES)

WATERWORKS

Etoile

ETS161

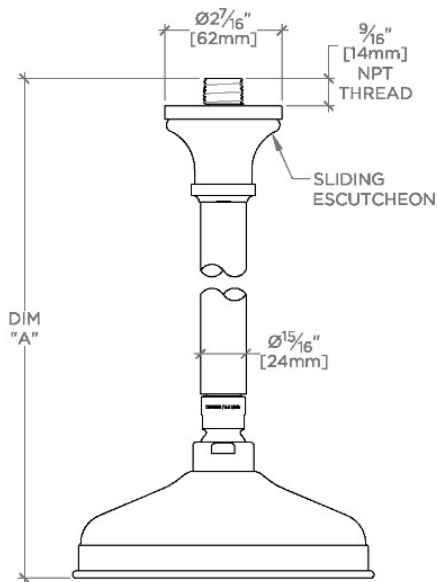
Etoile 6" Showerhead with 12" Ceiling Mounted Shower Arm



CEILING VIEW

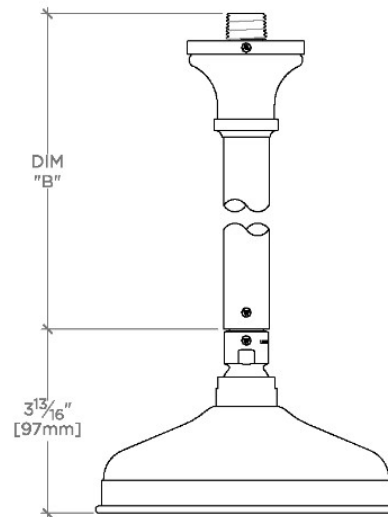
SCALE: 3"=1'-0"

| STYLE NO. | DIM "A" | DIM "B" |
|-----------|---|--|
| ETS160 | 10 ³ / ₈ " [264mm] | 6 ⁹ / ₁₆ " [167mm] |
| FRS160 | | |
| JUS160 | | |
| ETS161 | 16 ³ / ₈ " [417mm] | 12 ⁹ / ₁₆ " [319mm] |
| FRS161 | | |
| JUS161 | | |



FRONT VIEW

SCALE: 3"=1'-0"



SIDE VIEW

SCALE: 3"=1'-0"