

JULIA

JUKM19

Julia Three Hole High Profile Kitchen Faucet, Metal Lever Handles and Spray



TECHNICAL DETAILS

ADA Compliance: Yes
 Adjustable versus Fixed Spray: Fixed Spray
 Deck Thickness Maximum: 38 mm
 Deck Thickness Minimum: 0 mm
 Escutcheon Primary Material: Brass
 Fittings Hole Diameter: 32 mm
 Flow Restriction Options: 2.0, 1.75, 1.5
 Handle Spread Maximum: 305 mm
 Handle Spread Minimum: 203 mm
 Handle Turn Angle: Quarter Turn
 Index Color / Finish and Material: Architectural Bronze
 Depth / Width: 292 mm
 Height: 244 mm
 Index Marking: H/C
 Inlet Connection Size: 1/2"
 Inlet Connection Type: Male With Supply Nut
 Inlet Supply Spread Maximum: 305 mm
 Inlet Supply Spread Minimum: 203 mm
 Integrated Diverter: Y
 Length: 464 mm
 Number of Handles: Two
 Number of Holes: Four Hole
 Primary Material: Brass
 Restricted Maximum Flow Rate: 8.3 liters/min
 Spout Swivel: Y
 Spray Included in Unit: Y
 Suggested Application: Bar, Kitchen, Laundry
 Valve Material: Ceramic
 Water Pressure Maximum: 6.0 bar
 Water Pressure Minimum: 1.5 bar
 Water Pressure Recommended: 3.0 bar

INSPIRATION

An interpretation of 1920s French country, Julia speaks to decoration and intricate design displayed through beautifully composed turnings. These details embody the robust, signature high profile spout enabling Julia to transition fluidly from informal to formal environments.

CODES & STANDARDS

Code # JUKM19: Complies with ASME A112.18.1/CSA B125.1, NSF, CEC, ADA and 0.25% Weighted Average Lead Content. Certified with CEC, DOE and State of MA.

PRODUCT FEATURES

Metal lever handles
 Integrated diverter to divert water between spout and side spray
 Features signature detail of the graceful, high profile swivel spout
 Stocked in Chrome, Nickel, Matte Nickel, and Unlacquered Brass
 Stocked in 2.5gpm (9.5L/min) flow rate. Alternate flow regulation of 1.75gpm (6.6/min) also available as special order

CERTIFICATIONS

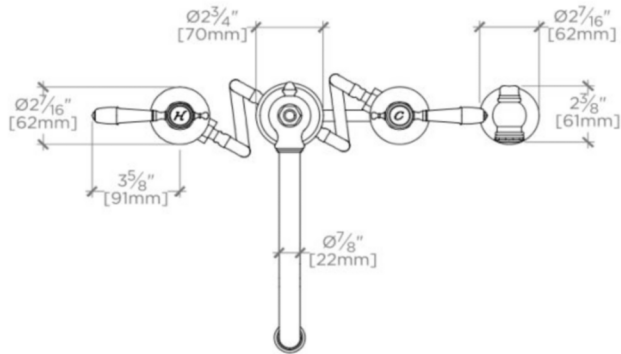


WATERWORKS

JULIA

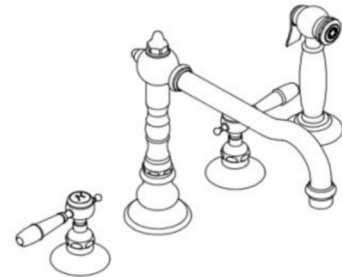
JUKM19

Julia Three Hole High Profile Kitchen Faucet, Metal Lever Handles and Spray



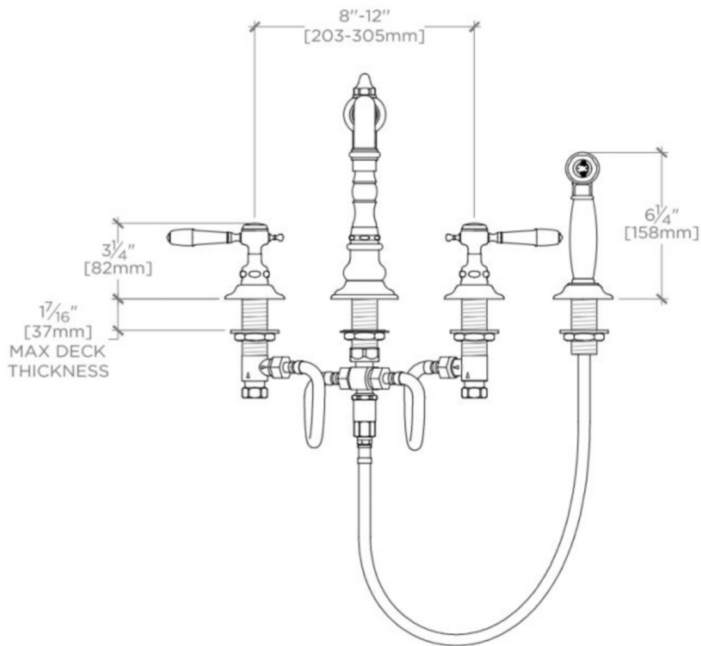
TOP VIEW

SCALE: 1 1/2"=1'-0"



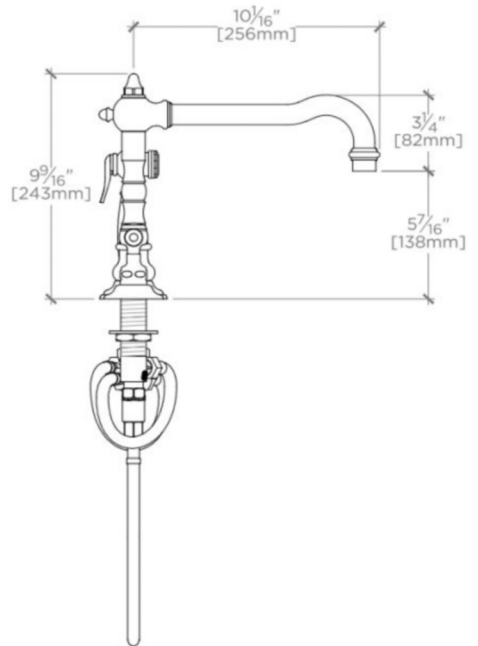
ISO VIEW

SCALE: 1 1/2"=1'-0"



FRONT VIEW

SCALE: 1 1/2"=1'-0"



SIDE VIEW

SCALE: 1 1/2"=1'-0"