

MUIR

Muir 4" Metal and Walnut Pull

MUHW04

TECHNICAL DETAILS

Length From Centers: 4"
Projection: 1 1/4"
Height: 19 mm
Length: 113 mm



SHOWN IN MUIR 4" METAL AND WALNUT PULL MUHW04

INSPIRATION

At home in the mountains, by the sea or in an urban loft, Muir's solid walnut pairs with hand-finished solid brass to create a modern, casual effect recalling vintage modern artist-made furniture and jewelry.

PRODUCT FEATURES

American Walnut paired with Brass

Walnut is protected with primer and wood lacquer

Solid brass is hand-polished

Made in the USA

Includes per fixing: 8-32 Truss Head Machine Screw-Combo-Slotted

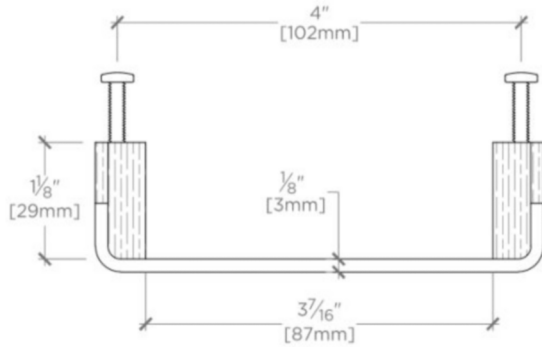
WATERWORKS

MUIR

MUHW04

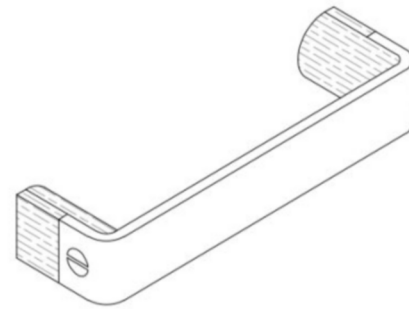
Muir 4" Metal and Walnut Pull

MOUNTING HARDWARE INCLUDED		
STYLE #	DESCRIPTION	QTY
998945	Service Parts 8-32 1" Truss Head Machine Screw, Combo, Slotted	2
998946	Service Parts 8-32 1½" Truss Head Machine Screw, Combo, Slotted	2



TOP VIEW

SCALE: 6"=1'-0"



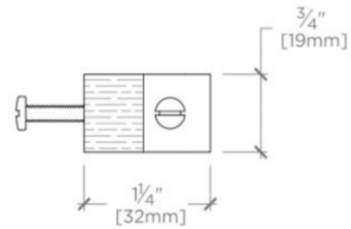
ISO VIEW

SCALE: 6"=1'-0"



FRONT VIEW

SCALE: 6"=1'-0"



SIDE VIEW

SCALE: 6"=1'-0"