

EASTON

EAPB85

Easton Classic Pressure Balance Control Valve Trim with Oak Lever Handle



SHOWN IN EASTON CLASSIC PRESSURE BALANCE CONTROL VALVE TRIM WITH OAK LEVER HANDLE| EAPB85

TECHNICAL DETAILS

ADA Compliance: Yes
Control Valve Rough-in Depth Maximum: 76 mm
Control Valve Rough-in Depth Minimum: 57 mm
Diverter Valve Rough-in Depth Maximum: 96 mm
Diverter Valve Rough-in Depth Minimum: 72 mm
Index Color / Finish and Material: White Porcelain
Integrated Diverter: N
Primary Material: Brass
Suggested Application: Bath

INSPIRATION

Drawing on Edwardian style, Easton is the most extensive Waterworks family; a range of moods and a selection of products from fittings to furniture.

CODES & STANDARDS

Code # EASV85: ASME A112.18.1, CSA B125, IAPMO

PRODUCT FEATURES

Brass metal is used for all trim and valve components.
The manufacturing process encompasses casting, turning, forging, hand-fitting and hand polishing.
Easton is our most comprehensive fittings family.
Easton has a clean-lined utilitarian profile, with a slightly elongated spout.

CERTIFICATIONS



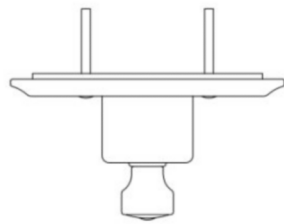
PRODUCT (NOTES)

Valve sold separately.

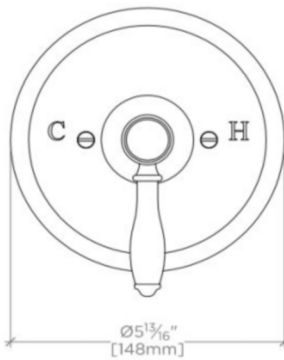
EASTON

EAPB85

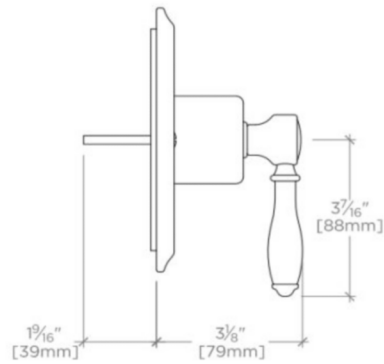
Easton Classic Pressure Balance Control Valve Trim with Oak Lever Handle



TOP VIEW SCALE: 3"=1'-0"



FRONT VIEW SCALE: 3"=1'-0"



SIDE VIEW SCALE: 3"=1'-0"