

.25

PTKM15

.25 One Hole High Profile Kitchen Faucet, Short Metal Handle and Metal Spray



SHOWN IN .25 ONE HOLE HIGH PROFILE KITCHEN FAUCET, SHORT METAL HANDLE AND METAL SPRAY | PTKM15

TECHNICAL DETAILS

Deck Thickness Maximum: 1 3/8"
 Deck Thickness Minimum: 1/4"
 Depth/Width: 9 1/2"
 Escutcheon Primary Material: Brass
 Fittings Hole Diameter: 1 1/2"
 Flow Restriction Options: 2.2, 1.5
 Handle Turn Angle: Quarter Turn Each Way
 Handshower Spray Hose Length: 59"
 Height: 10 13/16"
 Inlet Connection Size: 3/8"
 Inlet Connection Type: Compression Connection Adapters
 Integrated Diverter: Y
 Integrated Spray: N
 Number Of Holes: Two Hole
 Primary Material: Brass
 Restricted Maximum Flow Rate: 2.2 gpm
 Spout Swivel: Y
 Spray Included In Unit: Y
 Suggested Application: Bar, Kitchen, Laundry
 Valve Material: Ceramic
 Water Pressure Maximum: 85.0 psi
 Water Pressure Minimum: 20.0 psi
 Water Pressure Recommended: 45.0 psi

INSPIRATION

Streamlined and understated, the .25 collection grounds modern spaces with effortless simplicity. Every element reflects thoughtful design, from clean lines to softly curved edges and precise quarter-radius turns.

CODES & STANDARDS

PTKM15X, NSF/ANSI/CAN 61:Q < 1, NSF/ANSI/CAN 372, ASME A112.18.1/CSA B125.1, CEC, State of MA

PRODUCT FEATURES

Single Handle Control

Ceramic cartridge provides durability and long life

Built-in Automatic Diverter for Spray Operation.

Pull Handle for volume adjustments and rotate left for hot and right for cold

Standard flow rate is 2.2gpm (8.3 L/min) and State of California requires a maximum of 1.8gpm(6.8 L/min). Also available in high efficiency flow options. Contact a sales associate for details.

CERTIFICATIONS



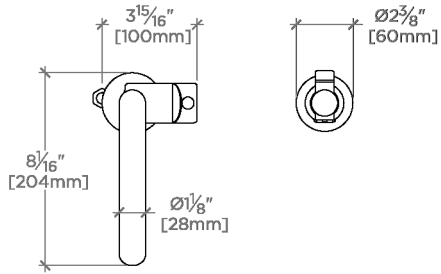
PRODUCT (NOTES)

.25

PTKM15

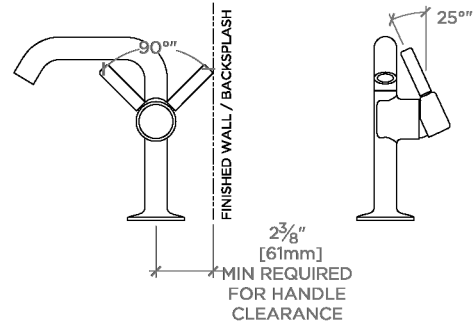
.25 One Hole High Profile Kitchen Faucet, Short Metal Handle and Metal Spray

NOTE: HANDLE CAN BE INSTALLED ON EITHER SIDE OF SPOUT

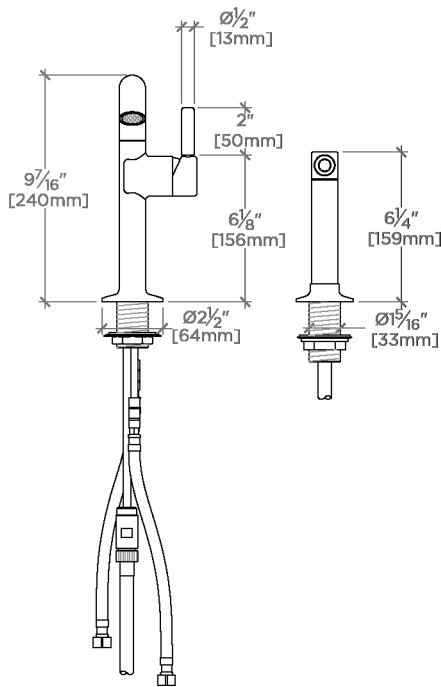


TOP VIEW

SCALE: 1/2"=1'-0"

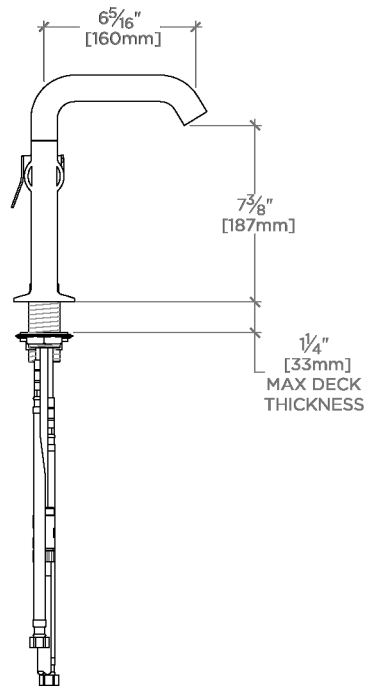


HANDLE OPERATION



FRONT VIEW

SCALE: 1/2"=1'-0"



SIDE VIEW

SCALE: 1/2"=1'-0"