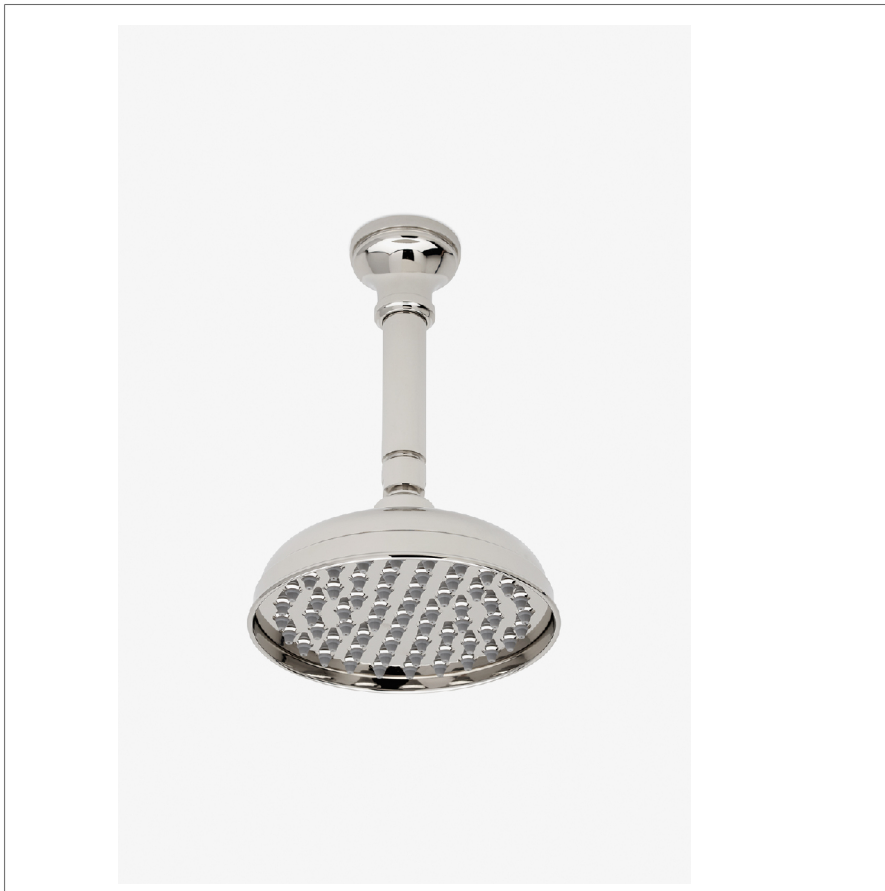


Etoile

ETS160

Etoile 6" Showerhead with 6" Ceiling Mounted Shower Arm



SHOWN IN ETOILE 6" SHOWERHEAD WITH 6" CEILING MOUNTED SHOWER ARM | ETS160

TECHNICAL DETAILS

Adjustable Versus Fixed Spray: Fixed
Fittings Hole Diameter: 32 mm
Flow Restriction Options: 1.5, 1.75, 2.0
Inlet Connection Size: 1/2"
Inlet Connection Type: Male NPT
Pivot: Y
Primary Material: Brass
Restricted Maximum Flow Rate: 6.6 liters/min
Water Pressure Maximum: 6.0 bar
Water Pressure Minimum: 1.5 bar
Water Pressure Recommended: 3.0 bar

INSPIRATION

Defined elegance. Etoile has a European sophistication with a timeless sense of chic.

CODES & STANDARDS

ETS160X, ASME A112.18.1/CSA B125.1, CEC(1.5GPM & 1.75GPM Only), WaterSense(1.5GPM, 1.75GPM & 2.0GPM Only), DOE, State of MA

PRODUCT FEATURES

Made of Brass

Features a swivel 6" showerhead with easy clean rubber nozzles

Includes a 6" ceiling mounted shower arm

Stocked in Brass, Chrome, Nickel and Matte Nickel

Showerhead available in 1.75gpm (6.6L/min) flow rate

CERTIFICATIONS



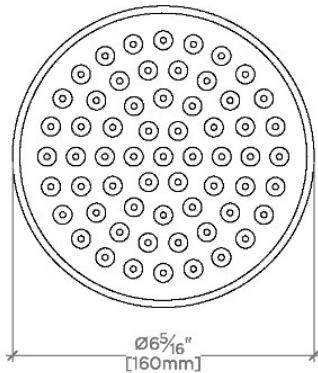
PRODUCT (NOTES)

WATERWORKS

Etoile

ETS160

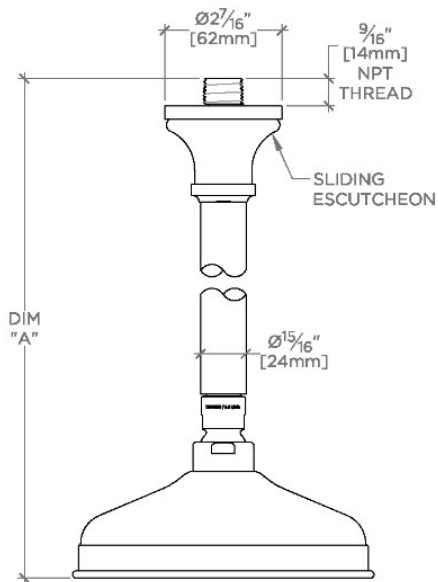
Etoile 6" Showerhead with 6" Ceiling Mounted Shower Arm



CEILING VIEW

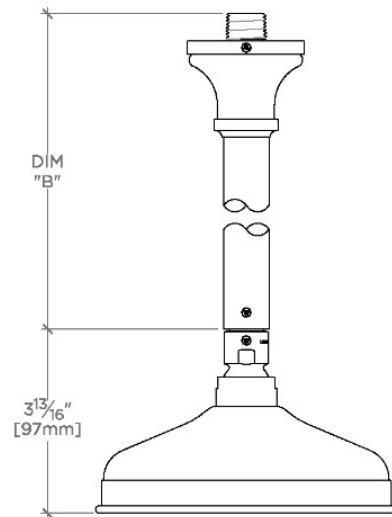
SCALE: 3"=1'-0"

STYLE NO.	DIM "A"	DIM "B"
ETS160	10 ³ / ₈ " [264mm]	6 ⁹ / ₁₆ " [167mm]
FRS160		
JUS160		
ETS161	16 ³ / ₈ " [417mm]	12 ⁹ / ₁₆ " [319mm]
FRS161		
JUS161		



FRONT VIEW

SCALE: 3"=1'-0"



SIDE VIEW

SCALE: 3"=1'-0"