

## Dash

DSLS60

Dash Three Hole Wall Mounted Lavatory Faucet with Metal Cross Handles



SHOWN IN DASH THREE HOLE WALL MOUNTED LAVATORY FAUCET WITH METAL CROSS HANDLES | DSLS60

### TECHNICAL DETAILS

ADA Compliance: Yes  
 Depth/Width: 198 mm  
 Drain Assembly Materials: Brass, Rubber, Plastic  
 Drain Depth Maximum: 67 mm  
 Drain Depth Minimum: 10 mm  
 Drain Hole Diameter: 44 mm  
 Drain Style: Push-Touch  
 Escutcheon Primary Material: Brass  
 Fittings Hole Diameter: 35 mm  
 Flow Restriction Options: 1.75, 1.5, 1.2, 1.0  
 Handle Spread Maximum: 203 mm  
 Handle Spread Minimum: 203 mm  
 Handle Turn Angle: Quarter Turn  
 Height: 73 mm  
 Inlet Connection Size: 1/2"  
 Inlet Connection Type: Male NPT  
 Inlet Supply Spread Maximum: 203 mm  
 Inlet Supply Spread Minimum: 203 mm  
 Installation Type: Wall Mounted  
 Length: 278 mm  
 Number Of Handles: Two  
 Number Of Holes: Three Hole  
 Primary Material: Brass  
 Restricted Maximum Flow Rate: 4.5 liters/min  
 Spout Swivel: N  
 Suggested Application: Bath  
 Water Pressure Maximum: 6.0 bar  
 Water Pressure Minimum: 1.5 bar  
 Water Pressure Recommended: 3.0 bar

### INSPIRATION

A blend of art and function, Dash pays homage to design elements of the 1930s with pared-down shapes, softened curves and minimal details.

### CODES & STANDARDS

DSLS60X, NSF/ANSI/CAN 61:Q < 1, NSF/ANSI/CAN 372, CEC, State of MA

### PRODUCT FEATURES

Metal Cross Handle

Includes European push touch style drain.

Stocked in Nickel, Chrome, Unlacquered Brass, and Matte Nickel finishes

Standard flow rate is 2.2gpm (8.3 L/min) and State of California requires 1.2gpm(4.5 L/min). Also available in other flow options. Contact a sales associate for details

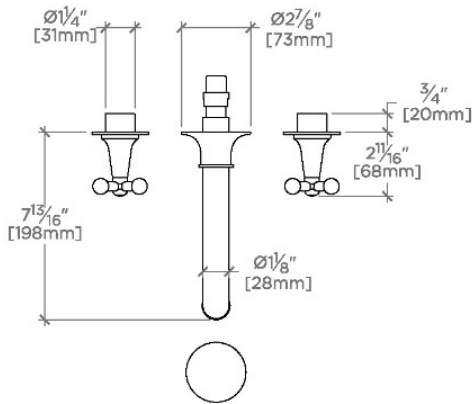
### CERTIFICATIONS

Product Requires Universal Lavatory Wall Mounted Rough **PRODUCT NOTES** and Separately.

## Dash

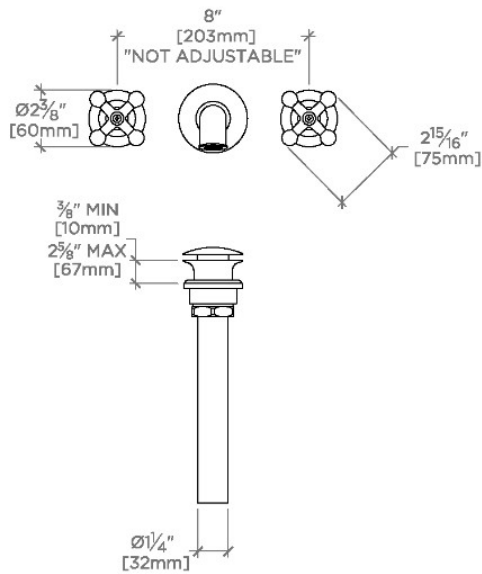
DSLS60

Dash Three Hole Wall Mounted Lavatory Faucet with Metal Cross Handles



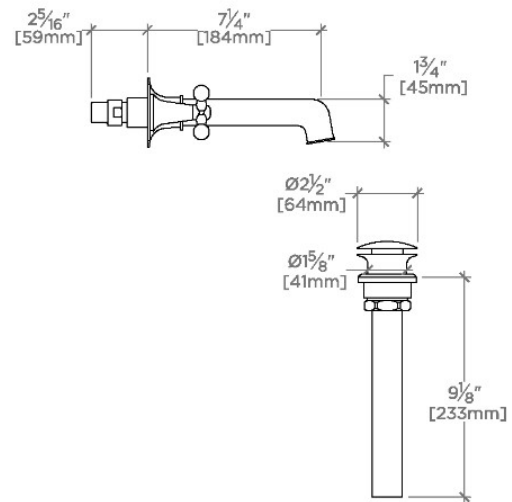
TOP VIEW

SCALE:  $\frac{1}{2}$ "=1'-0"



FRONT VIEW

SCALE:  $\frac{1}{2}$ "=1'-0"



SIDE VIEW

SCALE:  $\frac{1}{2}$ "=1'-0"