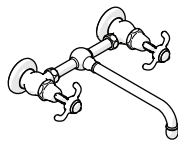
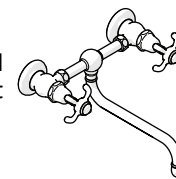


INSTALLATION GUIDELINES



STYLE No. ETLS66

Etoile Low Profile Two Hole Wall Mounted Lavatory Faucet (Straight Spout) with Metal Cross Handles



STYLE No. ETLS69

Etoile Low Profile Two Hole Wall Mounted Lavatory Faucet (Curved Spout) with Metal Cross Handles

IMPORTANT:

- To ensure this product is installed properly, you must read and follow these guidelines.
- The owner/user of this product must keep this information for future reference.
- This product must be installed by a professional licensed contractor and must be on-site prior to rough-in. This allows the installer to visualize the installation and verify the 7-7/8" [200mm] on-center spread. The inlet supply spread on this product is **NOT** adjustable.
- Be sure your installation conforms to federal, state, and local codes. In the State of Massachusetts, all installations must comply with the rules and regulations set forth within 248 CMR.
- Inspect this product to ensure you have all the parts required for proper installation.
- **CAUTION:** This product is supplied with a European sized DRAIN and is **NOT** compatible with SINKS that have a standard US drain hole of 1-1/2" [38mm].
- Product is sold partially assembled but shown fully disassembled for illustrative and service purposes only.
- Use only a strap wrench or protected/smooth-jaw wrench on any finished surface.
- The use of certain plumber's putty may stain stone or tile surfaces.
- If further assistance is required, please contact Product Support at 1-800-927-2120 Monday through Friday, 8am - 6pm EST.
- Refer to the separate Service Parts Documents for available replacement parts.

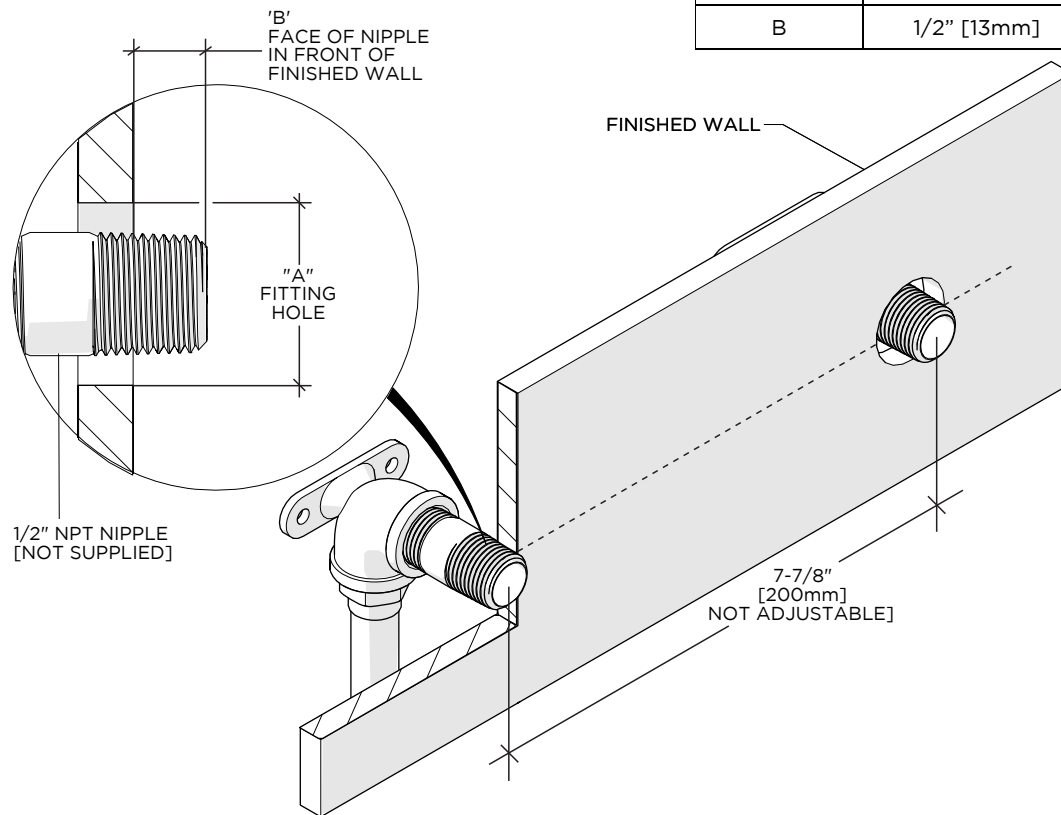
TECHNICAL DETAILS:

DETAIL	SPECIFICATION
DRAIN DEPTH	1" [25mm] MIN 2-3/4" [70mm] MAX
DRAIN HOLE DIAMETER	1-3/4" [44mm]
DRAIN STYLE	LIFT & TURN
HANDLE SPREAD [NOT ADJUSTABLE]	7-7/8" [200mm]
HANDLE TURN ANGLE	QUARTER TURN
INLET CONNECTION	1/2" FEMALE NPT
SPOUT REACH [ETLS66]	9-1/2" [241mm]
SPOUT REACH [ETLS69]	9-1/16" [230mm]
WATER PRESSURE RANGE	20psi [1.5 bar] MIN 85psi [6.0 bar] MAX
WATER PRESSURE RECOMMENDED	45psi [3.0 bar]

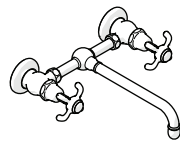
ROUGH-IN AND VALVE PREPARATION:

- **WARNING:** The inlet supply spread on this product is **NOT** adjustable. If the rough-in is **NOT** accurate, it will make the installation difficult or impossible.
- Determine the ideal location of the FAUCET and rough-in well supported 1/2" NPT NIPPLES (not supplied) making sure they are:
 - Securely anchored/strapped
 - Level,
 - Perpendicular to the finished wall,
 - Parallel to each other,
 - At the proper spread and
 - At equal depths.

DIMENSION	VALUE
A	1-1/4" [32mm]
B	1/2" [13mm]

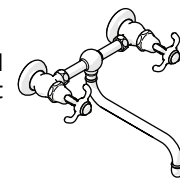


INSTALLATION GUIDELINES



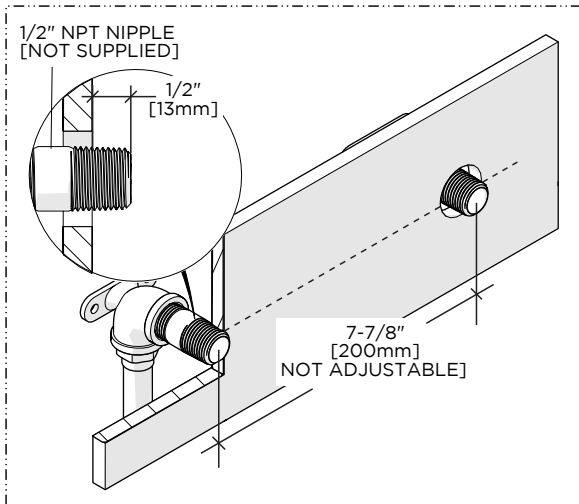
STYLE No. ETL566

Etoile Low Profile Two Hole Wall Mounted Lavatory Faucet (Straight Spout) with Metal Cross Handles

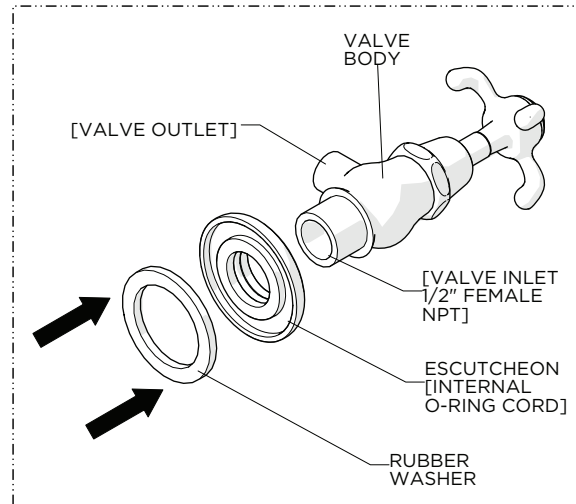


STYLE No. ETL569

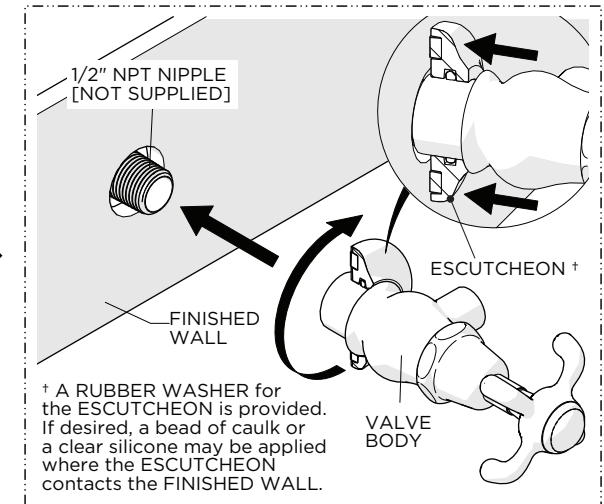
Etoile Low Profile Two Hole Wall Mounted Lavatory Faucet (Curved Spout) with Metal Cross Handles



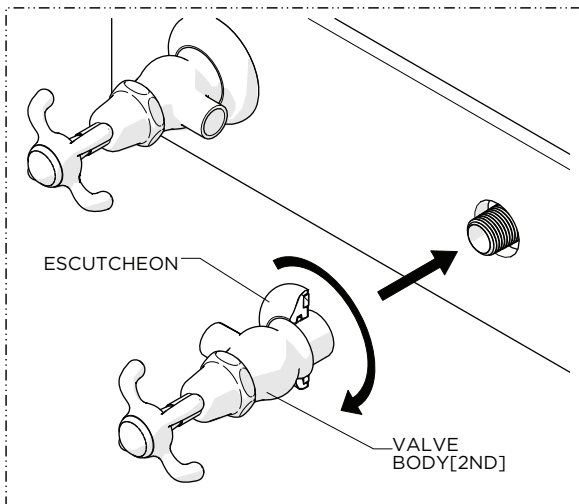
1. Verify the 7-7/8" [200mm] inlet supply spread and that the 1/2" NPT NIPPLES (not supplied) project 1/2" [13mm] in front of the finished wall.



2. Slide the ESCUTCHEON and RUBBER WASHER onto the VALVE BODY.

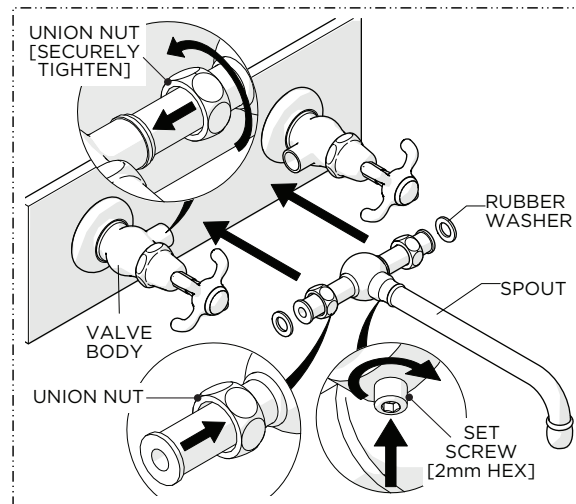


3. Thread and securely tighten the VALVE BODY onto the NIPPLE (not supplied) then, if necessary, slide the ESCUTCHEON down until it contacts the finished wall.

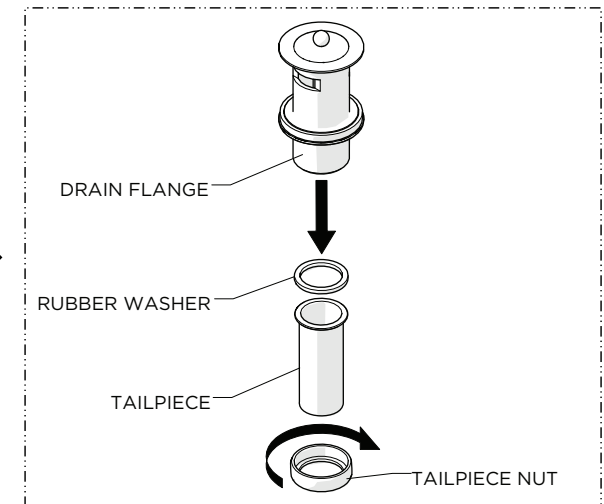


4. Repeat Steps 2 and 3 to install the second (2ND) VALVE BODY.

NOTE: Ensure the outlet of both VALVE BODIES are aligned properly.

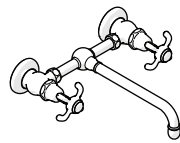


5. Slide the UNION NUTS down the SPOUT inlets then, while holding the SPOUT and RUBBER WASHERS provided between the VALVE BODIES, thread and securely tighten the NUTS onto the VALVES. Ensure the SPOUT is properly aligned then securely tighten the SET SCREW at the base of the SPOUT.



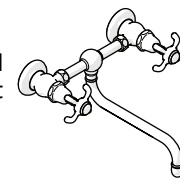
6. Unthread and remove the NUT, TAILPIECE and the RUBBER WASHER from the DRAIN FLANGE.

INSTALLATION GUIDELINES



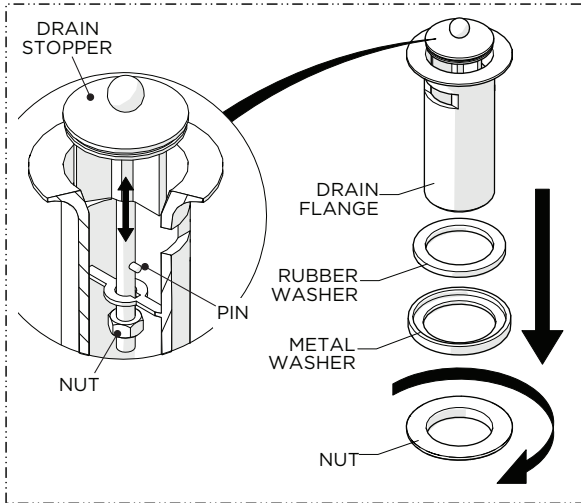
STYLE No. ETL566

Etoile Low Profile Two Hole Wall Mounted Lavatory Faucet (Straight Spout) with Metal Cross Handles

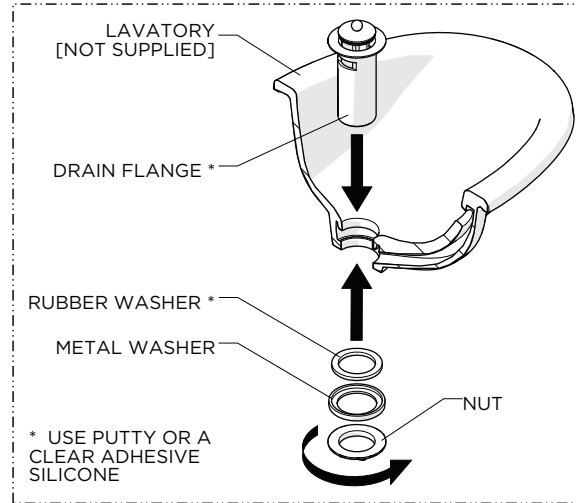


STYLE No. ETL569

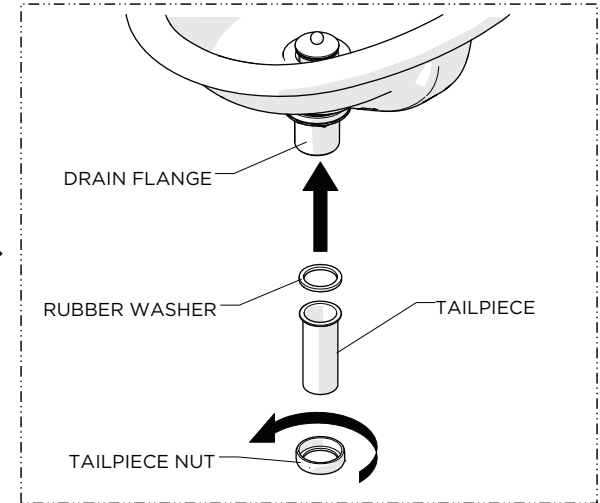
Etoile Low Profile Two Hole Wall Mounted Lavatory Faucet (Curved Spout) with Metal Cross Handles



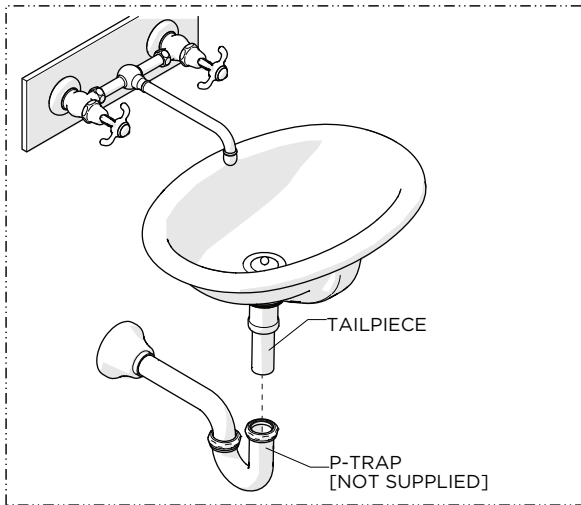
7. Unthread and remove the mounting NUT, METAL WASHER and RUBBER WASHER from the DRAIN FLANGE.



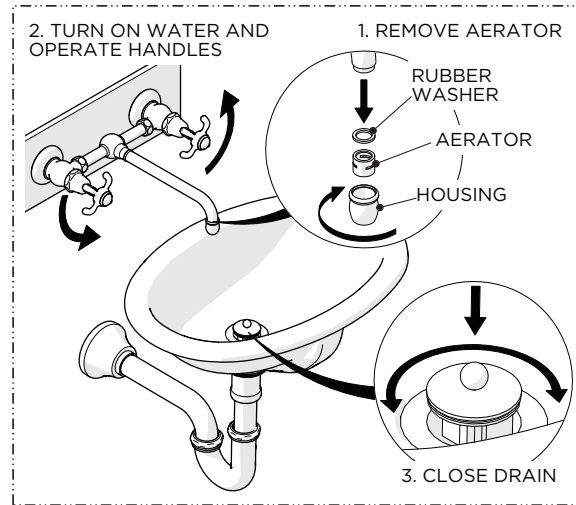
8. Set the DRAIN FLANGE in the lavatory (sold separately) using putty or a clear silicone and attach the RUBBER and METAL WASHERS then thread and securely tighten the NUT.



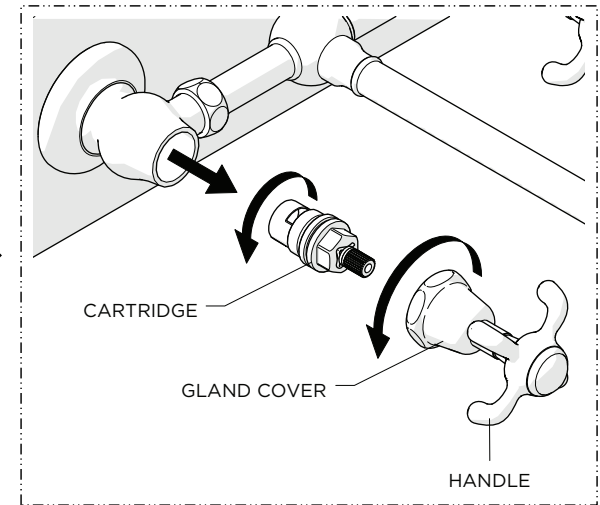
9. Re-install the TAILPIECE using the WASHER and NUT provided.



10. Make final P-TRAP (sold separately) connections.



11. Remove the AERATOR, turn on the water to flush out the supply lines, and inspect all connections for leaks. Close the DRAIN to ensure it functions properly then turn off the water and re-install the AERATOR.



SERVICING THE CARTRIDGE:

1. Unthread the GLAND COVER and pull the HANDLE off to expose the CARTRIDGE. Unthread and removed the CARTRIDGE using a 21/32" [17mm] shower valve socket wrench (not provided).