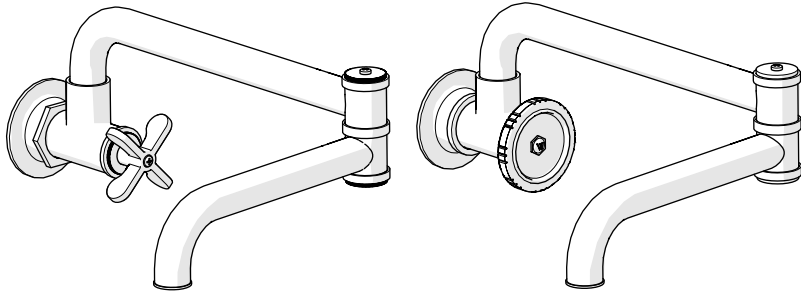


# INSTALLATION GUIDELINES

## WALL MOUNTED ARTICULATED POT FILLER

### HENRY AND CHRONOS WALL MOUNTED ARTICULATED POT FILLER WITH CROSS HANDLE



STYLES	
HPF101	CPF101

#### IMPORTANT:

- To ensure this product is installed properly, you must read and follow these guidelines.
- The owner/user of this product must keep this information for future reference.
- This product must be installed by a professional licensed contractor.
- Be sure your installation conforms to all federal, state, and local codes. In the State of Massachusetts, all installations must comply with the rules and regulations set forth within 248 CMR.
- Inspect this product to ensure you have all the parts required for proper installation. Product is **sold partially** assembled but shown fully disassembled for illustrative and service purposes only.
- Use only a strap wrench or protected/smooth-jaw wrench on any finished surface.
- The use of certain plumber's putty may stain stone or tile surfaces.
- If further assistance is required, please contact Product Support at 1-800-927-2120 Monday through Friday, 8am - 6pm EST.

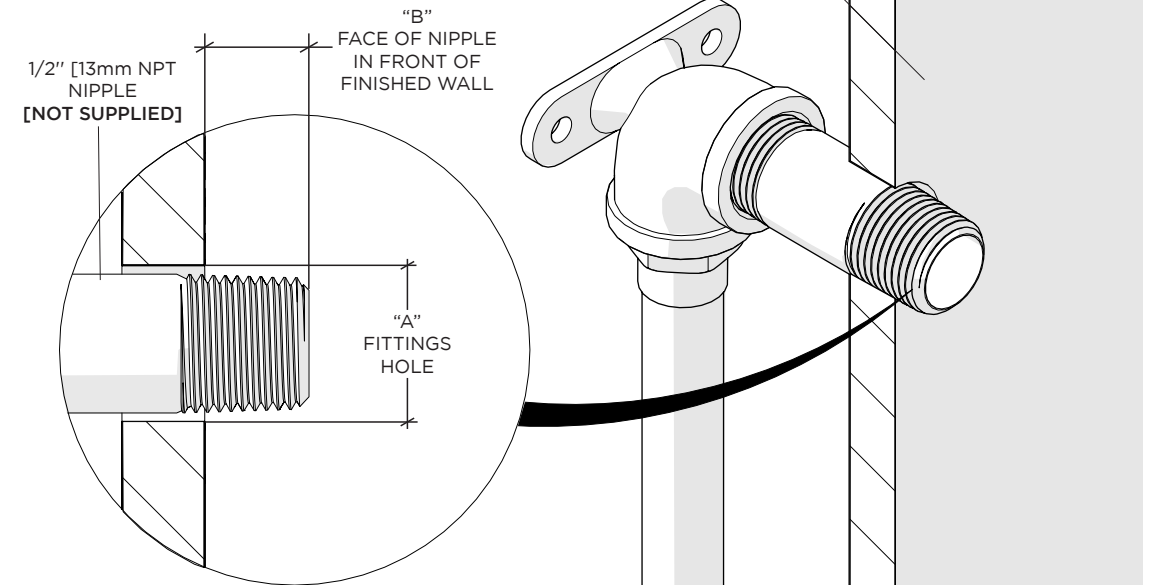
#### TECHNICAL DETAILS:

DETAIL	SPECIFICATION
FITTING HOLE DIAMETER	Ø1-1/4" [32mm]
HANDLE TURN ANGLE	QUARTER TURN
INLET CONNECTION	1/2" [13mm] FEMALE NPT
SPOUT SWIVEL	YES
SPOUT REACH	20-1/16" [510mm]
WATER PRESSURE RANGE	20psi [1.5 bar] <b>MINIMUM</b>
	85psi [6.0 bar] <b>MAXIMUM</b>
	45psi [3.0 bar] <b>RECOMMENDED</b>

#### ROUGH-IN:

- Determine the ideal location based on the client's preference and rough-in a wall supported 1/2" NPT NIPPLE (**not supplied**).
- Adequate blocking in the wall is required to support inlet supply and MOUNTING HARDWARE.

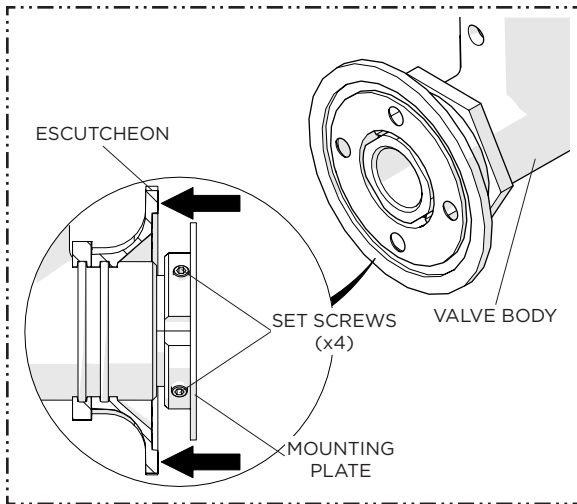
DIMENSIONS	VALUE
A	1-1/4" [32mm]
B	1/2" [13mm]



# INSTALLATION GUIDELINES

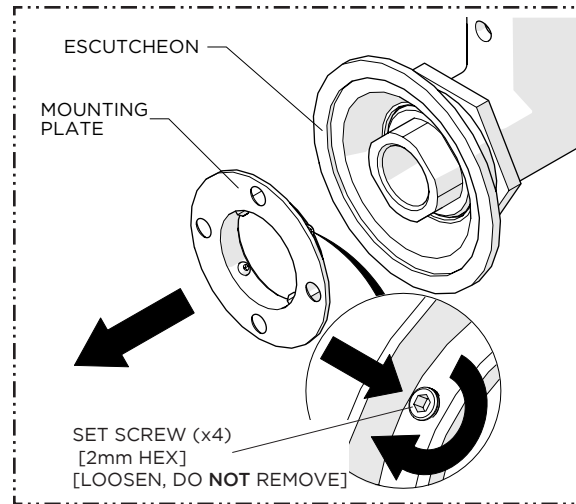
## WALL MOUNTED ARTICULATED POT FILLER

# WATERWORKS

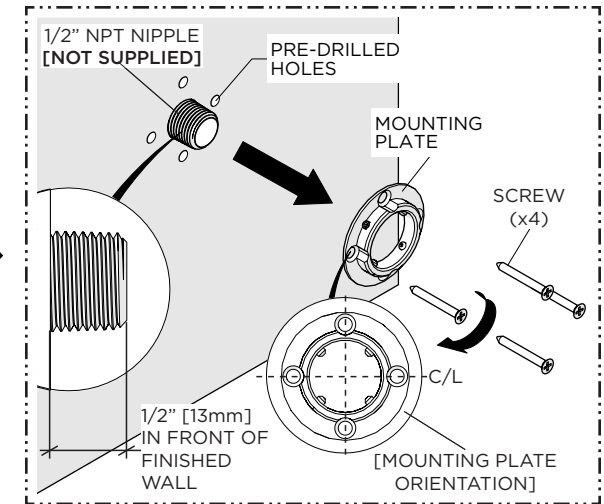


1. Slide the ESCUTCHEON against the VALVE BODY to expose the SET SCREWS.

**NOTE:** Do **NOT** remove the RUBBER WASHER from the ESCUTCHEON.

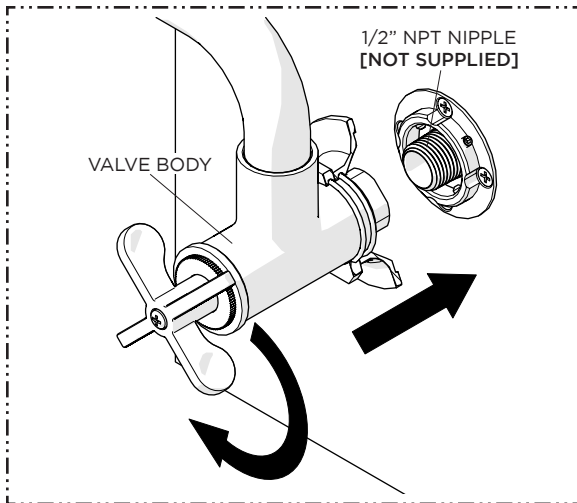


2. Loosen, but do **NOT** remove, the SET SCREWS (x4) using a 2mm HEX KEY then remove the MOUNTING PLATE from the VALVE BODY.

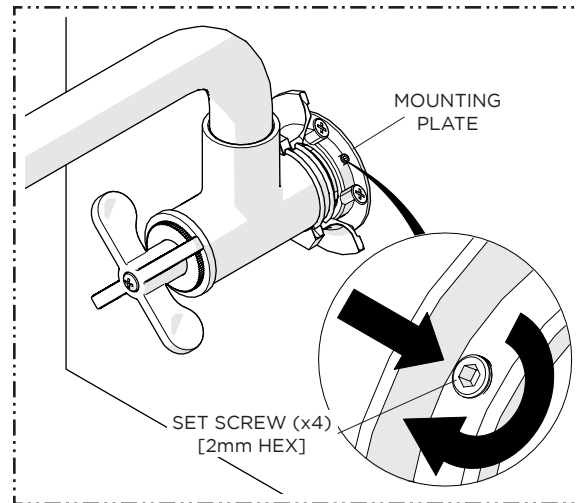


3. Ensure the NIPPLE (**not supplied**) protrudes 1/2" [13mm] in front of the finished wall then install the MOUNTING PLATE, in the proper orientation, using the SCREWS (x4) provided.

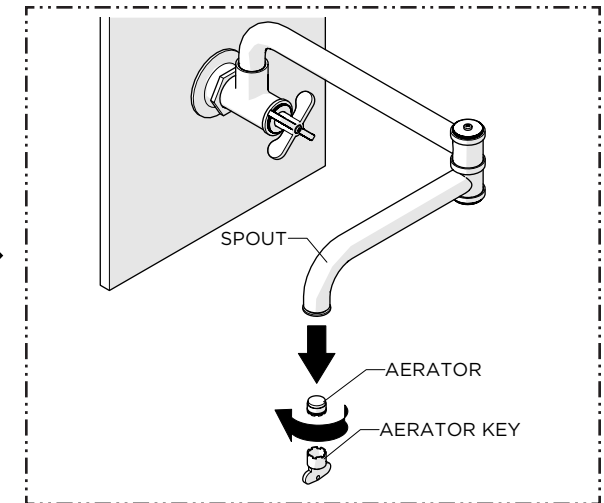
**NOTE:** Adequate **BLOCKING** required.



4. Thread and securely tighten the VALVE BODY onto the NIPPLE (**not supplied**).



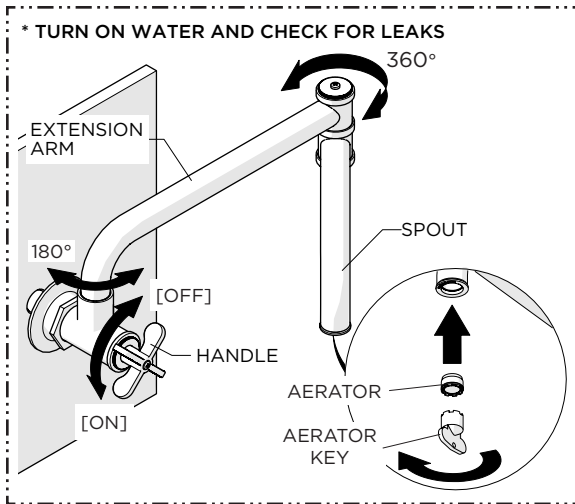
5. Securely tighten the SET SCREWS (x4) on the MOUNTING PLATE using a 2mm HEX KEY to secure the SPOUT and prevent it from rotating.



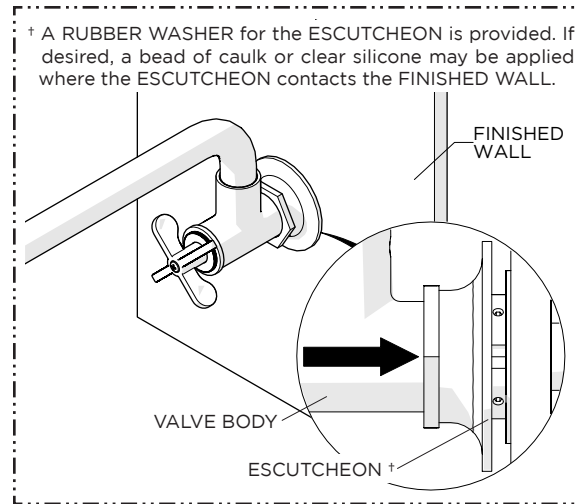
6. Unthread and remove the AERATOR from the SPOUT using the AERATOR KEY provided.

# INSTALLATION GUIDELINES

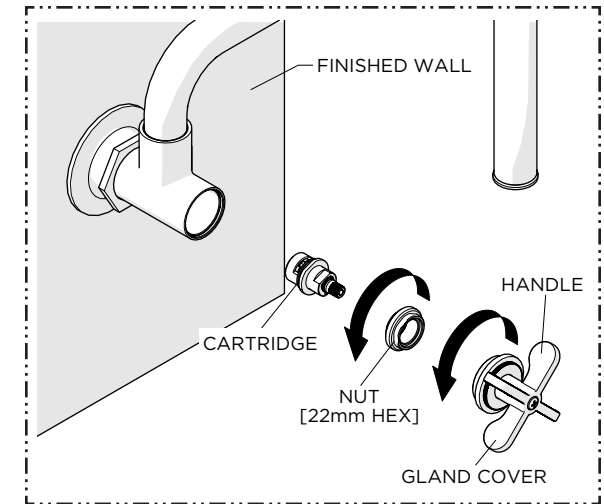
## WALL MOUNTED ARTICULATED POT FILLER



7. Turn on the water and operate the HANDLE to flush out any debris in the SUPPLY LINE and check for **leaks** then turn off water and re-install the AERATOR.

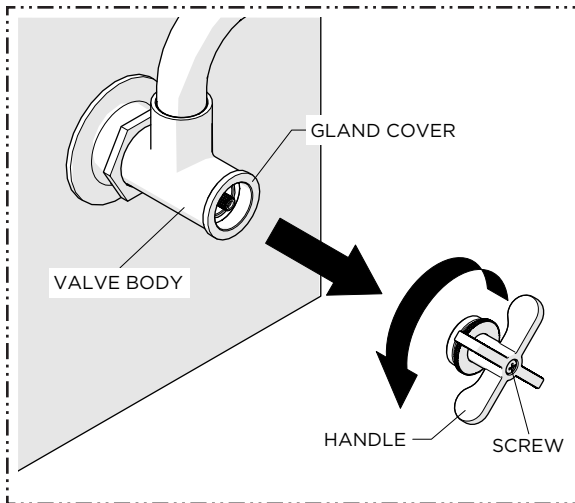


8. Slide the ESCUTCHEON down the VALVE BODY until it contacts the FINISHED WALL.



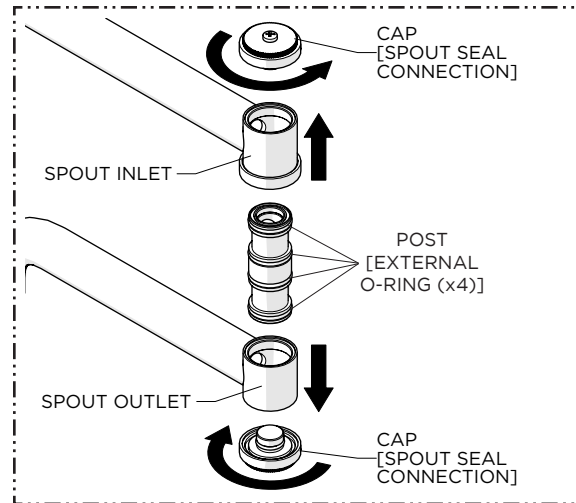
### SERVICING THE CARTRIDGE:

1. Unthread the GLAND COVER and pull the HANDLE assembly then unthread the NUT off to expose the CARTRIDGE.



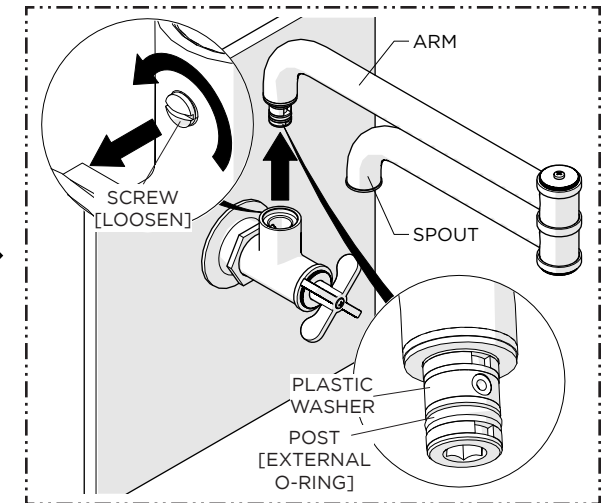
### SERVICING THE HANDLE:

1. Unthread the coin edge GLAND COVER and pull the HANDLE assembly.



### SERVICING THE SPOUT:

1. Unthread both top and bottom CAPS to remove the SPOUT and expose the POST.



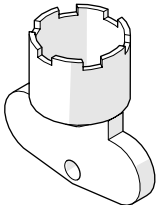
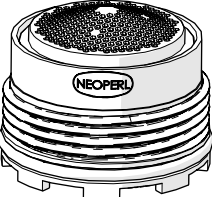

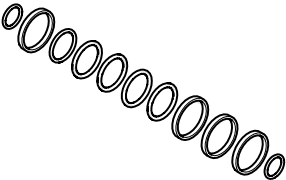
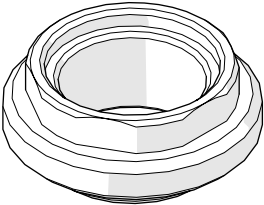
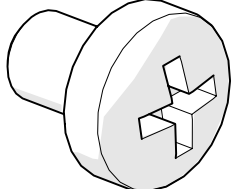
### SERVICING THE ARTICULATED ARM:

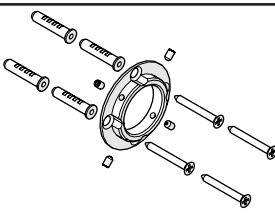
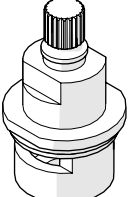
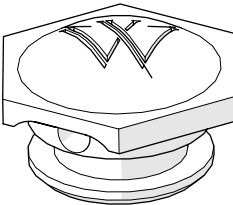
1. LOOSEN, but do **NOT** remove, the SCREW at the base of the ARM then remove the ARM to expose the POST with the PLASTIC BUSHING and external O-RING.

# SERVICE GUIDELINES

## WALL MOUNTED ARTICULATED POT FILLER

### SERVICE PARTS:

	PART No.	DESCRIPTION
	999191	AERATOR KEY
	101107	AERATOR
	101109	LOWER SPOUT SEAL KIT [O-RINGS (x1), BUSHINGS (x2), AND RETAINING CLIP (x1)]
	101111	UPPER SPOUT SEAL KIT [O-RINGS (x7) AND BUSHINGS (x4)]
	101112	CARTRIDGE RETAINING NUT
	101118	SCREW [M4 x 6]

	PART No.	DESCRIPTION
	101117	MOUNTING HARDWARE
	100604	RIGHT TURN CLOSE CARTRIDGE
	CNU002	HEX INDICE

# SERVICE GUIDELINES

## WALL MOUNTED ARTICULATED POT FILLER

# WATERWORKS

