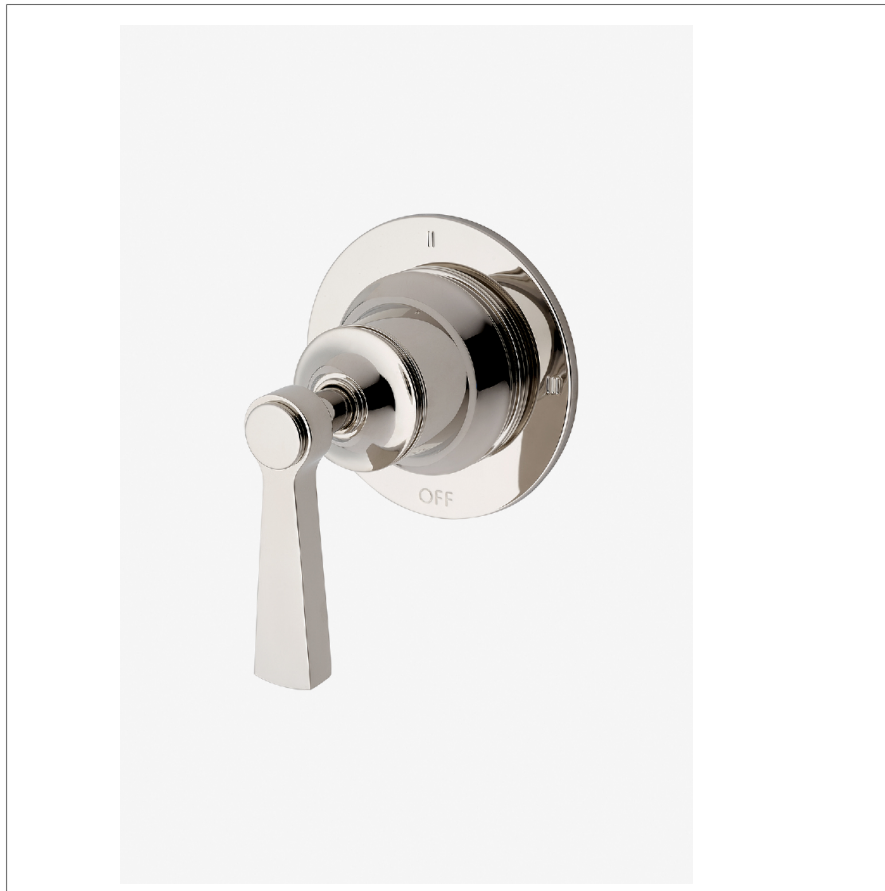


## Transit

TR3T10

Transit Three Way Diverter Valve Trim for Thermostatic with Roman Numerals and Lever Handle



SHOWN IN TRANSIT THREE WAY DIVERTER VALVE TRIM FOR THERMOSTATIC WITH ROMAN NUMERALS AND LEVER HANDLE | TR3T10

### TECHNICAL DETAILS

ADA Compliance: Yes  
Fittings Hole Diameter: 51 mm  
Handle Turn Angle: Full Turn  
Number Of Holes: One Hole  
Primary Material: Brass

### INSPIRATION

Stylish simplicity that fits into any decor. Each design represents a sophisticated mix of modern and traditional influences, streamlined into a sculpted and tapered look.

### CODES & STANDARDS

ASME A112.18.1/CSA B125.1

### PRODUCT FEATURES

Lever Handle

For Use With a Thermostatic Shower System and Three Waterway Outlets

Features Roman Numerals Representing Outlet Position

Stocked in Chrome, Nickel, Brass

Requires Rough Valve, Sold Separately: GUDV3T (US) GU66DV (UK)

### CERTIFICATIONS

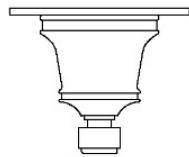


### PRODUCT (NOTES)

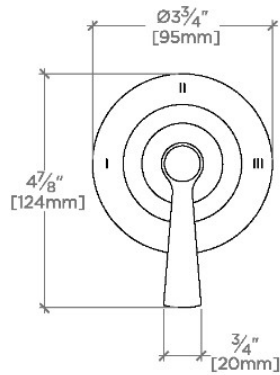
## Transit

TR3T10

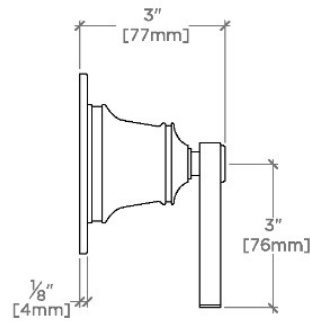
Transit Three Way Diverter Valve Trim for Thermostatic with Roman Numerals and Lever Handle



TOP VIEW SCALE: 3"=1'-0"



FRONT VIEW SCALE: 3"=1'-0"



SIDE VIEW SCALE: 3"=1'-0"