

## HIGHGATE

HGXT20

Highgate Wall Mounted Exposed Tub Filler with Handshower and Cross Handles



SHOWN IN HIGHGATE WALL MOUNTED EXPOSED TUB FILLER WITH HANDSHOWER AND CROSS HANDLES | HGXT20

### TECHNICAL DETAILS

ADA Compliance: No  
 Adjustable Versus Fixed Spray: Fixed Spray  
 Depth/Width: 9 7/16"  
 Diameter Of Head: 2 3/4"  
 Diameter Of Legs Tubes: 1 1/16"  
 Escutcheon Primary Material: Brass  
 Fittings Hole Diameter: 1 1/4"  
 Flow Restriction Options: 2.0, 1.75, 1.5, 0.92  
 Handle Spread Maximum: 7 5/8"  
 Handle Spread Minimum: 7 5/8"  
 Handle Turn Angle: Quarter Turn  
 Handshower Spray Hose Length: 59"  
 Height: 12 3/8"  
 Index Color Finish And Material: White Porcelain  
 Index Marking: H/C  
 Inlet Connection Size: 3/4"  
 Inlet Connection Type: Male NPT  
 Inlet Supply Spread Maximum: 7 5/8"  
 Inlet Supply Spread Minimum: 7 5/8"  
 Installation Type: Wall Mounted  
 Integrated Diverter: N  
 Integrated Spray: N  
 Length: 10 1/2"  
 Number Of Handles: Three  
 Number Of Holes: Two Hole  
 Pivot: N  
 Primary Material: Brass  
 Spout Swivel: N  
 Spray Included In Unit: N  
 Suggested Application: Bath  
 Valve Material: Ceramic  
 Water Pressure Maximum: 85.0 psi  
 Water Pressure Minimum: 20.0 psi  
 Water Pressure Recommended: 45.0 psi

### INSPIRATION

Our take on old English style: simple, functional shapes, detailed with white porcelain indices and hexagonal accents for a timeless feel.

### CODES & STANDARDS

ASME A112.18.1/CSA B125.1, Waterworks Handshowers use check valves compliant to ASME A112.18.3 for backflow protection. CEC, State of MA

### PRODUCT FEATURES

Cross Handles

Handshower Offers a Fixed Spray Pattern

Stocked in Chrome, Nickel and Brass

Unrestricted Flow for Tub Spout. Handshower Available in 1.75gpm (6.6L/min) Flow Rate

### CERTIFICATIONS



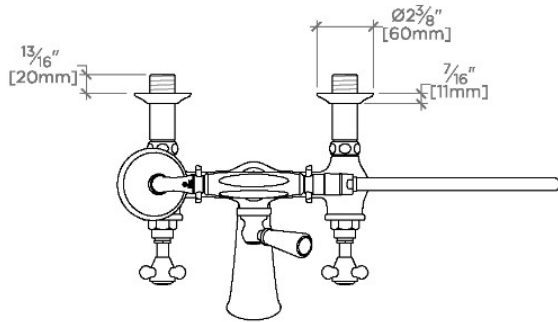
### PRODUCT (NOTES)

Includes wall unions. Universal Floor Unions (item UNUN32) available for floor mount applications.

## HIGHGATE

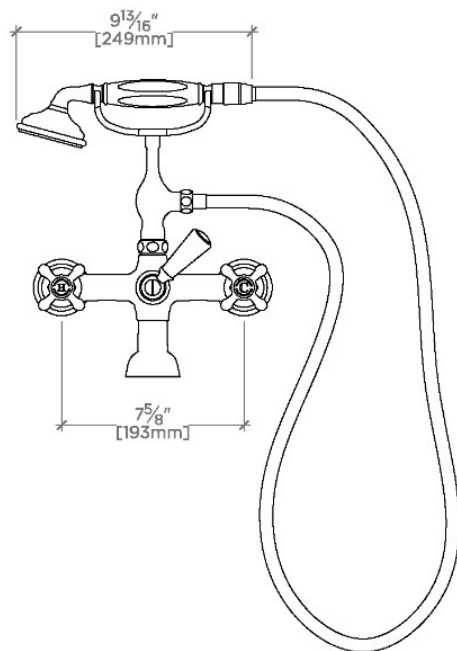
HGXT20

Highgate Wall Mounted Exposed Tub Filler with Handshower and Cross Handles



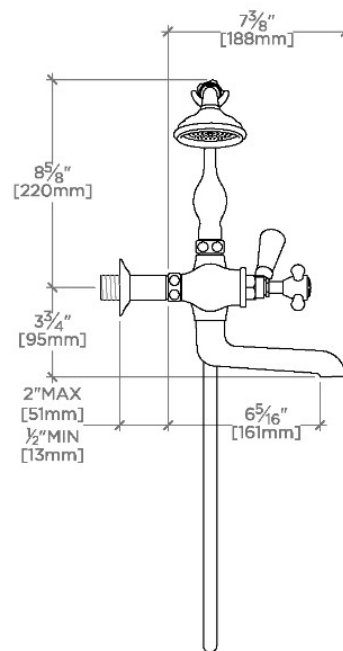
TOP VIEW

SCALE: 1 1/2"=1'-0"



FRONT VIEW

SCALE: 1 1/2"=1'-0"



SIDE VIEW

SCALE: 1 1/2"=1'-0"