

## Nilo

NIBT70

Nilo 70" x 34" x 24" Freestanding Bathtub



SHOWN IN NILO 70" X 34" X 24" FREESTANDING BATHTUB | NIBT70

### TECHNICAL DETAILS

Adjustable Levelers Feet: N  
 Assembly Configuration: One Piece  
 Bathing Type: Bathing and Soaking  
 Bathing Well Sitting Angle: 110 degree\_angle  
 Depth To Overflow: 403 mm  
 Depth/Width: 860 mm  
 Drain Hole Depth: 51 mm  
 Drain Hole Diameter: 51 mm  
 Drilling Option: None  
 Fitting Hole Configuration Number: None  
 Height: 614 mm  
 Installation Type: Freestanding  
 Item Weight Filled: 391.903488 kg  
 Length: 1778 mm  
 Overflow Hole Diameter: 48 mm  
 Overflow Opening: Yes  
 Primary Material: Fiberglass  
 Single Or Double Ended: Double Ended  
 Suggested Application: Bath

### INSPIRATION

Modeled after iconic vintage designs, this freestanding bathtub marries traditional '40s glamour with a modern, pared-down aesthetic. A generous bathing well and gentle curves invites relaxation.

### CODES & STANDARDS

cUL Model Number: 7034; CSA B45.5/IAPMO Z124

### PRODUCT FEATURES

- Our Nilo tub is made of composite material.
- Thermal insulation helps maintain water temperature
- The interior and exterior are hand finished.

### CERTIFICATIONS



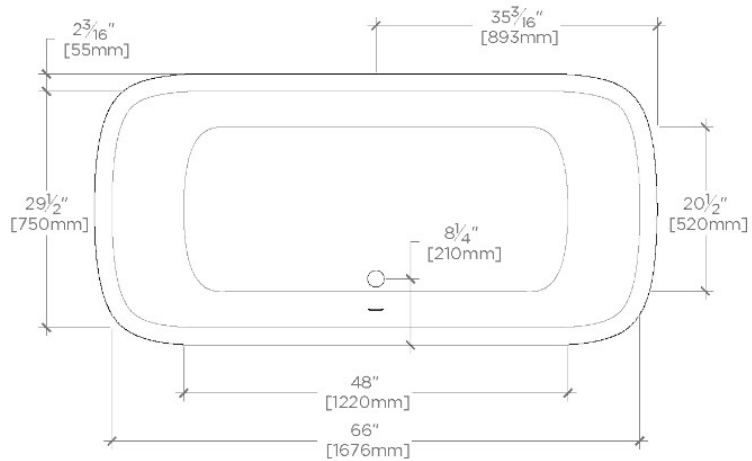
### PRODUCT (NOTES)

# WATERWORKS

## Nilo

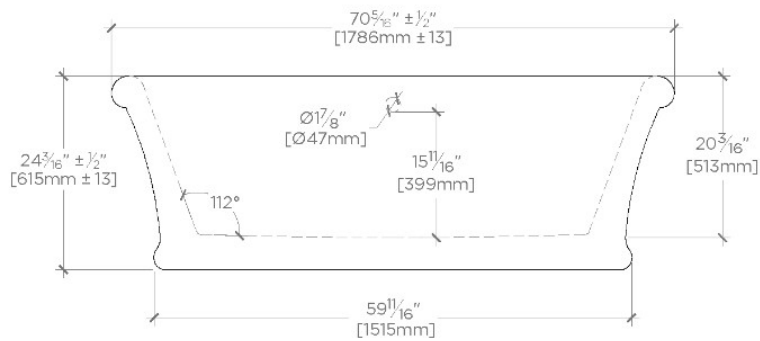
NIBT70

Nilo 70" x 34" x 24" Freestanding Bathtub



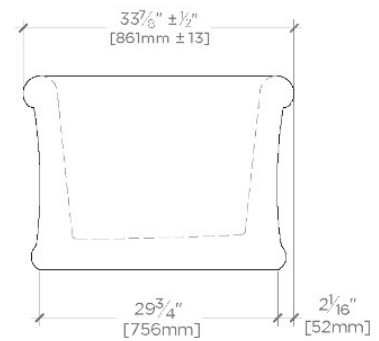
TOP VIEW

SCALE: 1/2"=1'-0"



FRONT VIEW

SCALE: 1/2"=1'-0"



SIDE VIEW

SCALE: 1/2"=1'-0"