

BOULEVARD

BDWS60

Glass Round Three Leg Double Washstand



SHOWN IN GLASS ROUND THREE LEG DOUBLE WASHSTAND | BDWS60

TECHNICAL DETAILS

Depth To Overflow: 2.67"
Depth/Width: 2.638"
Drain Hole Depth: 1 7/8"
Drain Hole Diameter: 1 3/4"
Drain Style: Center Drain
Fittings Hole Diameter: 1 3/8"
Height: 36.65"
Length: 60"

INSPIRATION

Boulevard channels pure 1930s glamour with strong silhouettes, dramatic scale and lavish details that make every day feel a little more luxurious. A mix of high-tech precision and old-school craftsmanship creates perfectly crisp lines and smooth curves.

CODES & STANDARDS

PRODUCT FEATURES

Designed by and exclusive to Waterworks

Solid Brass

Slab and backsplash carved from a solid block of stone.

Includes sink and choice of 5CM stone top in one of our 8 standard offerings

CERTIFICATIONS

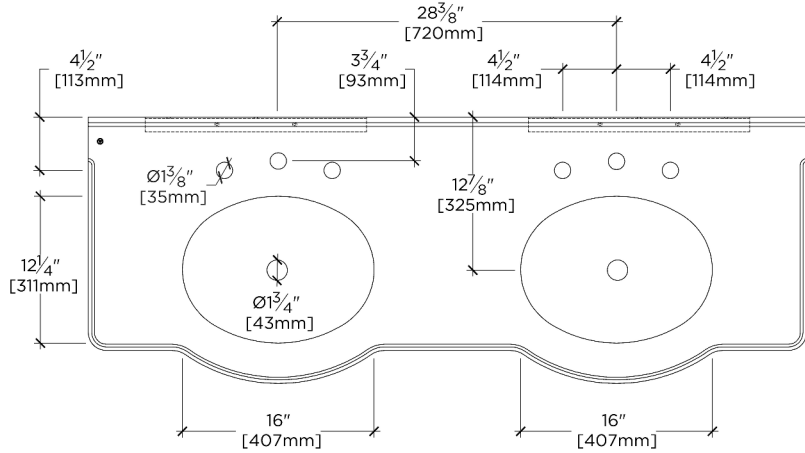
PRODUCT (NOTES)

WATERWORKS

BOULEVARD

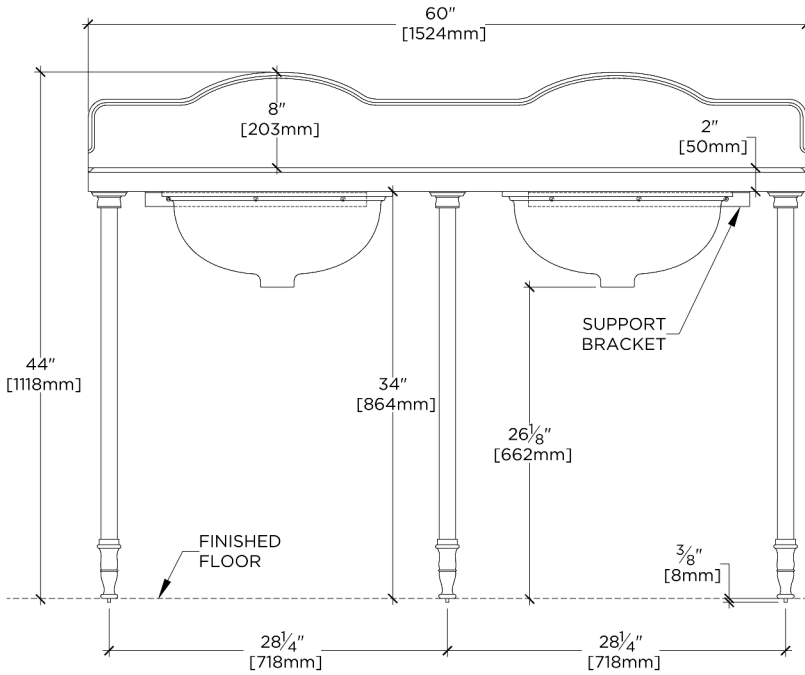
BDWS60

Glass Round Three Leg Double Washstand



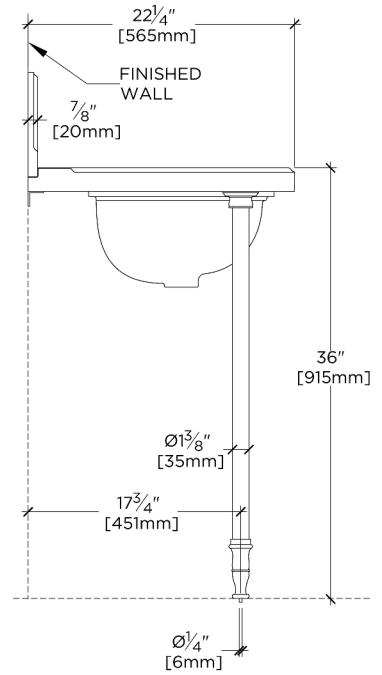
TOP VIEW

SCALE: 3/4"=1'-0"



FRONT VIEW

SCALE: 3/4"=1'-0"



SIDE VIEW

SCALE: 3/4"=1'-0"