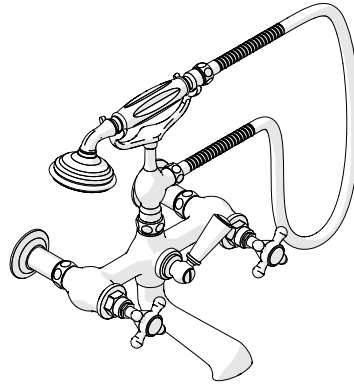


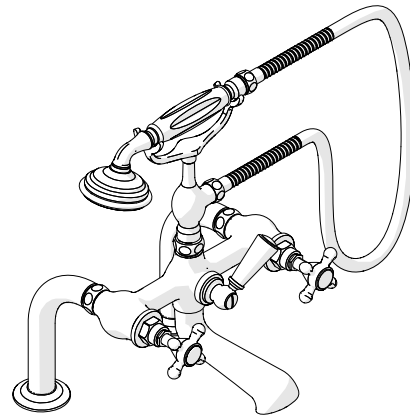
WATERWORKS STUDIO

SERVICE PARTS



STYLE HGXT20

Highgate Exposed Wall Mounted Tub Filler With Handshower



STYLE HGXT40

Highgate Exposed Deck Mounted Tub Filler With Handshower

WELCOME TO

WATERWORKS STUDIO

Over thirty years of experience distilled into signature fittings, surfaces, textiles, and accessories. Waterworks Studio is an edited collection of design solutions curated to be concise, engineered to be complete, and crafted for quality.

Everything you need, nothing more.

**TO ORDER PARTS CALL
1 (800) 927-2120 (EXT 2)**

Order by part number and specify color, finish, or other options if required.

Product Support

Our Product Support team provides troubleshooting and technical problem resolution, including replacement parts and installation recommendations throughout the life of your product.

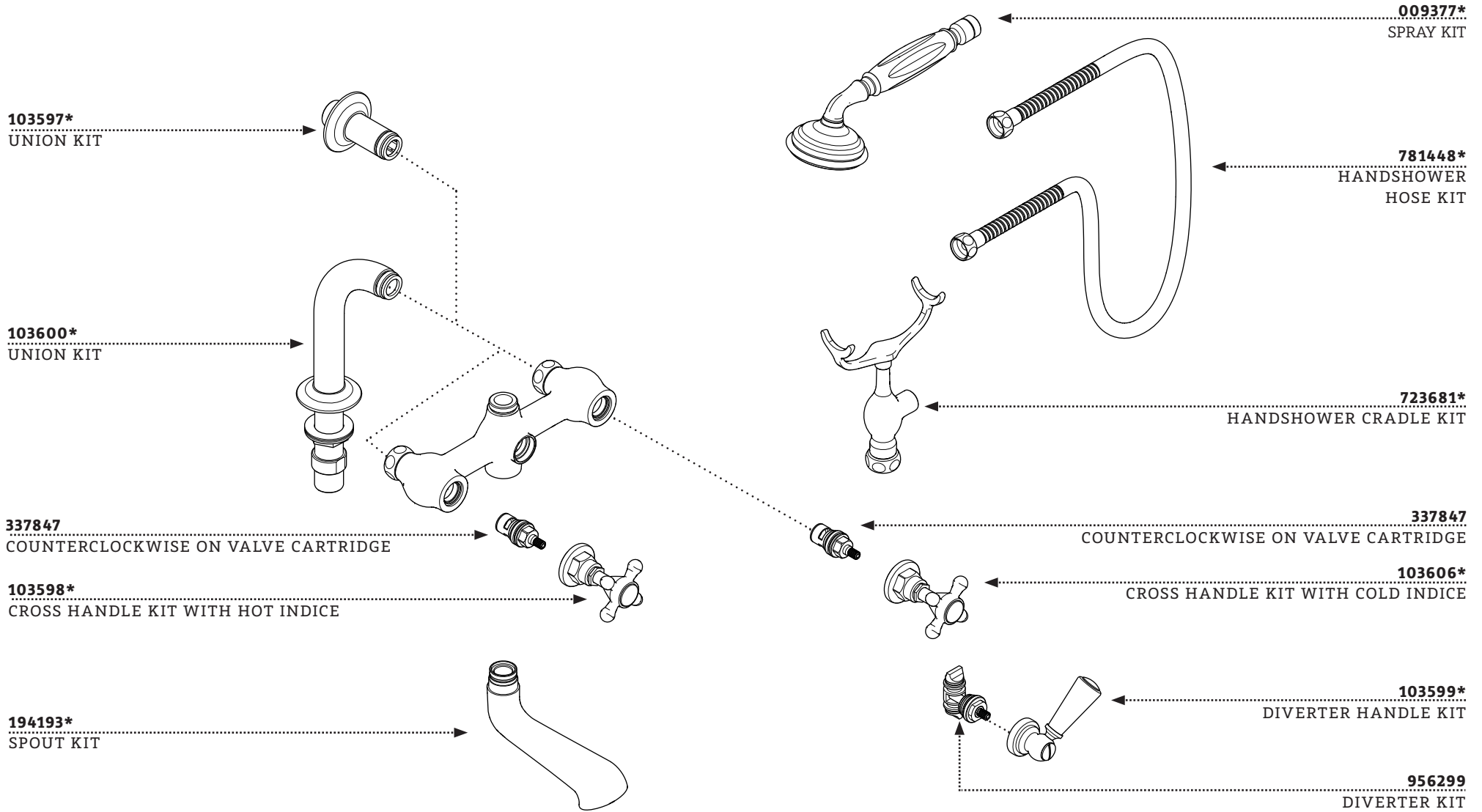
Product Support is available Monday through Friday 8AM to 6PM EST.

**LIMITED LIFETIME
WARRANTY**

Our warranty covers repair and replacement of Waterworks products if within the applicable coverage period and deemed defective by Waterworks. Waterworks will, at its option, repair or replace such products; this does not include installation costs, labor charges, or other incidental or consequential costs.

To obtain your complete warranty or inquire about warranty service, please visit us at www.waterworks.com or contact our Product Support Team.

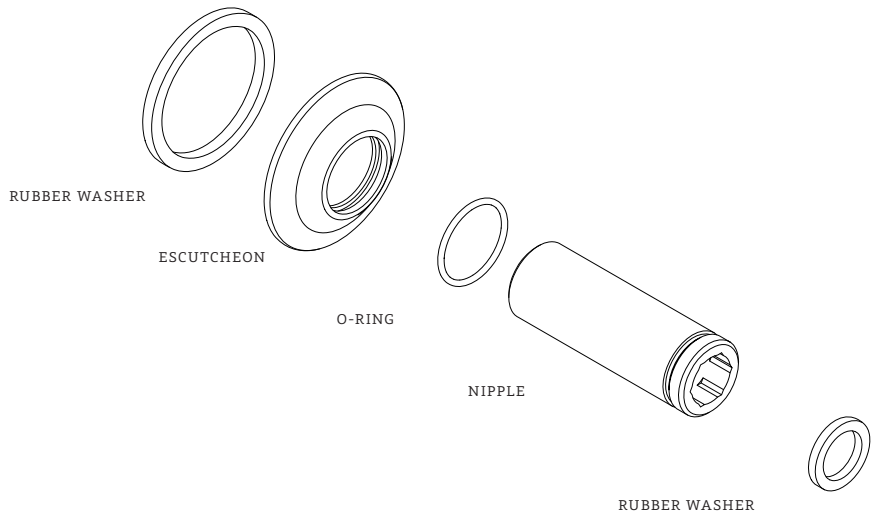
MAIN KITS



KIT COMPONENTS

103597*

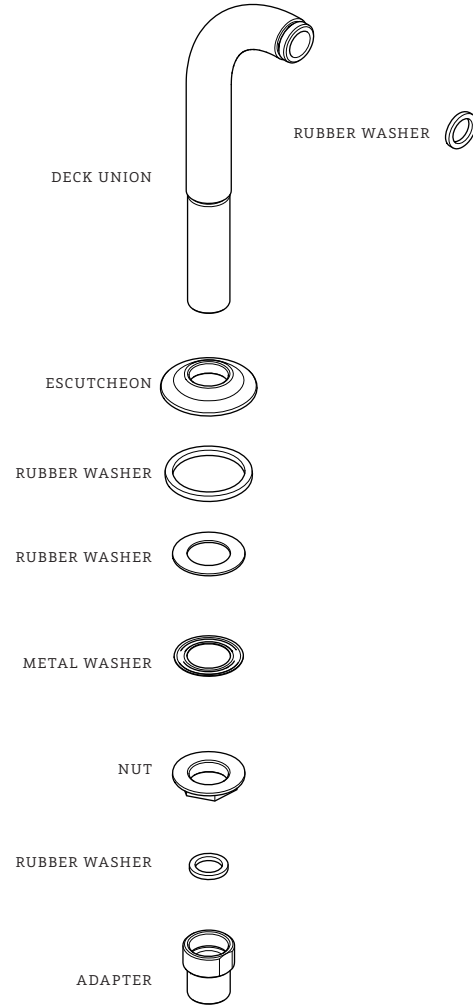
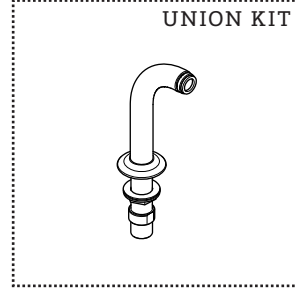
UNION KIT



KIT COMPONENTS

103600*

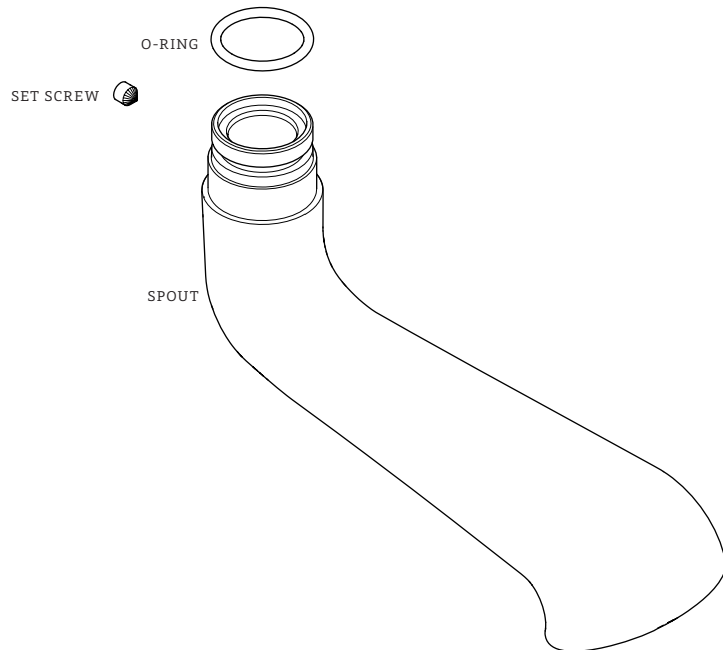
UNION KIT



KIT COMPONENTS

194193*

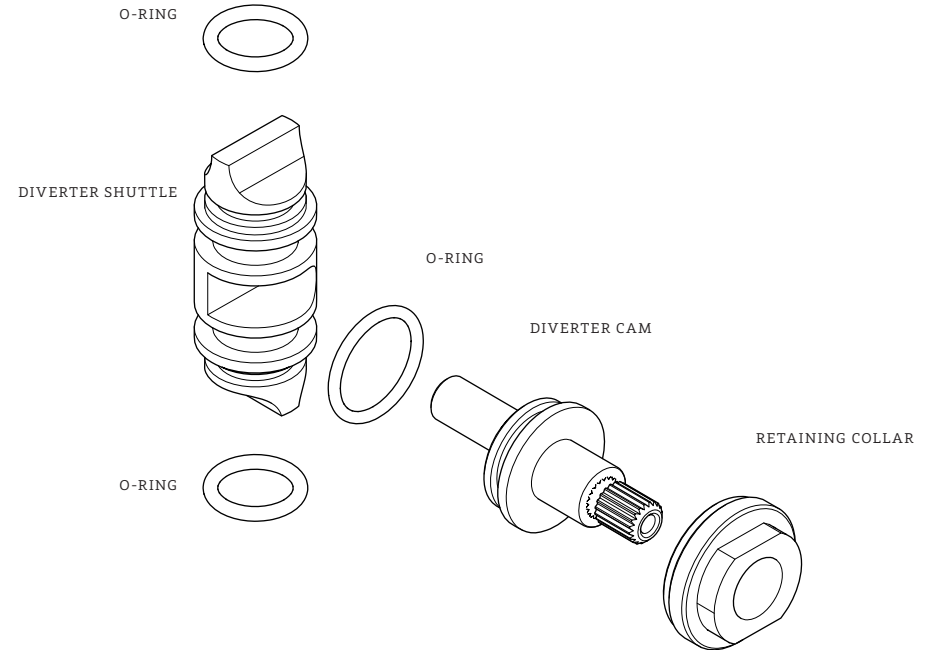
SPOUT KIT



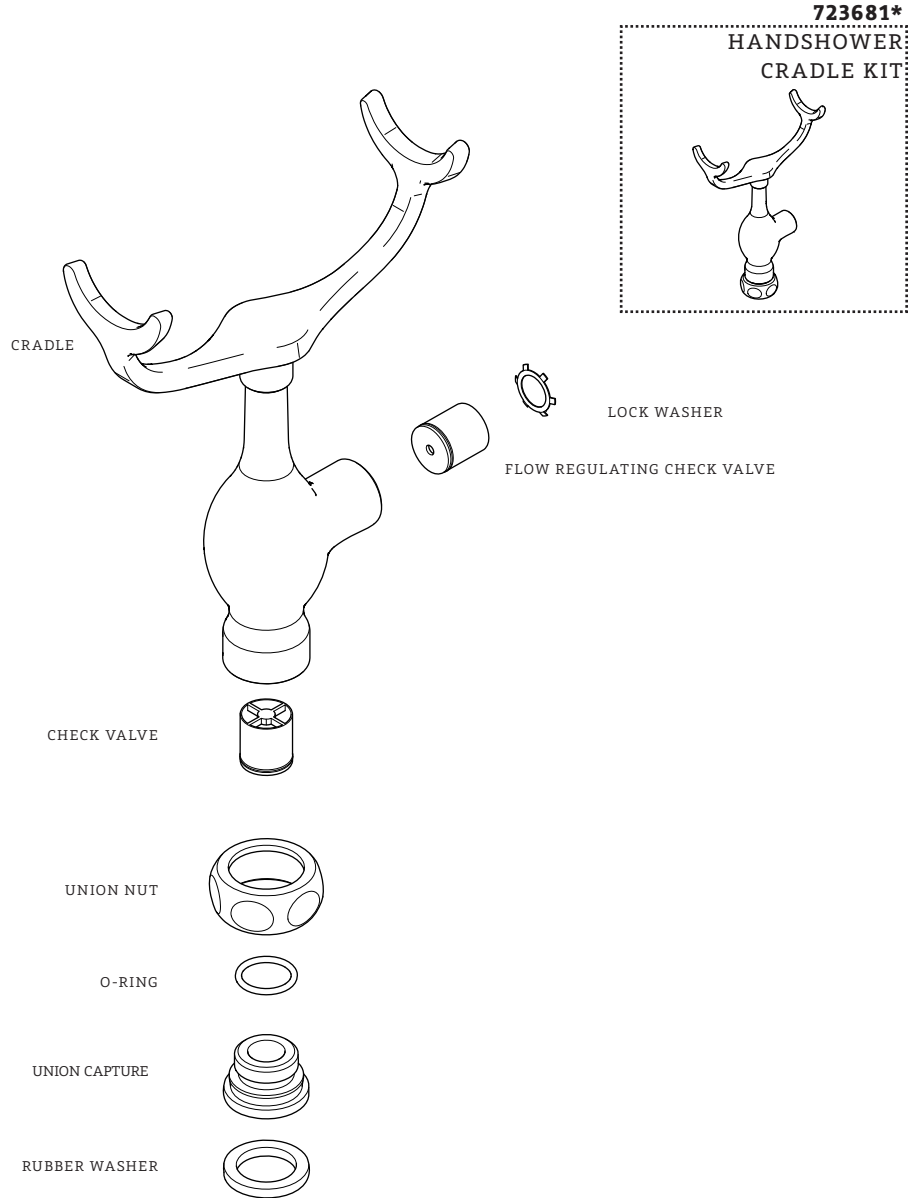
KIT COMPONENTS

956299

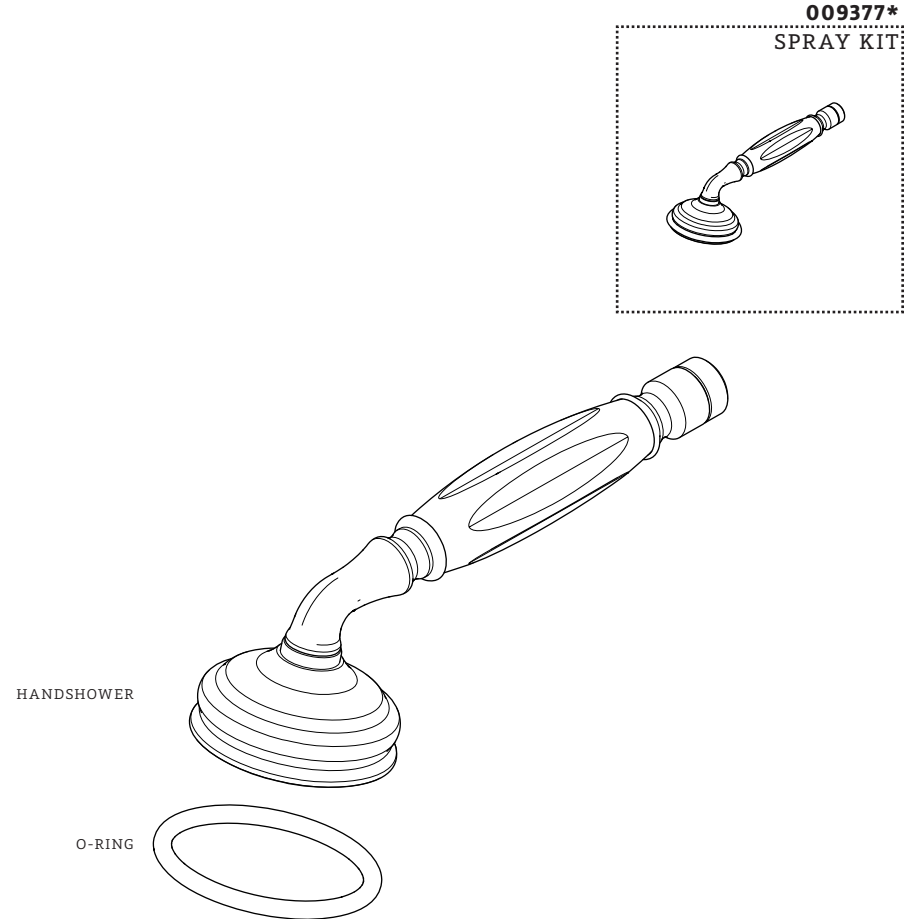
DIVERTER KIT



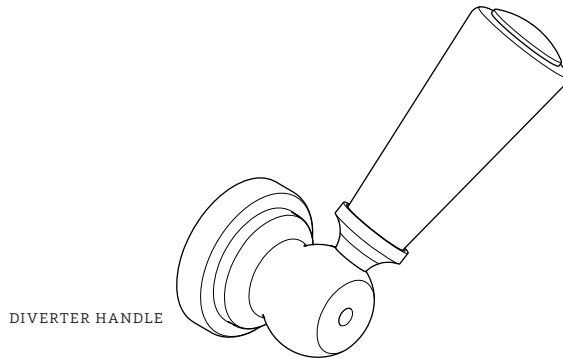
KIT COMPONENTS



KIT COMPONENTS



KIT COMPONENTS



*FINISH/COLOR MUST BE SPECIFIED WHEN ORDERING
++SUPPLIED AS A PAIR

SERVICE PARTS INDEX

<u>STYLE</u>	<u>DESCRIPTION</u>	<u>PG</u>
103599*	DIVERter HANDLE KIT	10
956299	DIVERter KIT	7
337847	COUNTERCLOCKWISE ON VALVE CARTRIDGE	2
103606*	CROSS HANDLE KIT WITH COLD INDICE	3
103598*	CROSS HANDLE KIT WITH HOT INDICE	2
723681*	HANDSHOWER CRADLE KIT	8
781448*	HANDSHOWER HOSE KIT	3
194193*	SPOUT KIT	6
009377*	SPRAY KIT	9
103597*	UNION KIT	4
103600*	UNION KIT	5



WATERWORKS
STUDIO

PRODUCT SUPPORT

60 BACKUS AVENUE
DANBURY, CT 06810

1 (800) 927-2120 (EXT 2)

WWW.WATERWORKS.COM/STUDIO