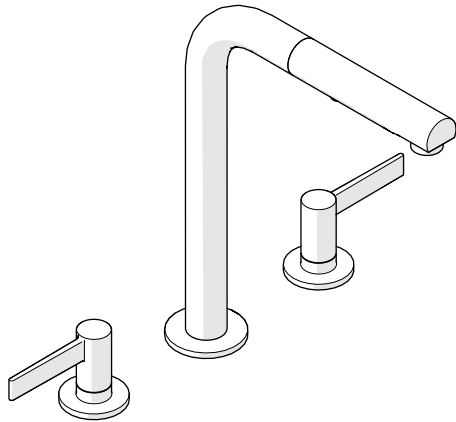


INSTALLATION GUIDELINES

KITCHEN MIXER

FINOT THREE HOLE KITCHEN MIXER WITH HANDLES AND INTEGRATED PULL SPRAY



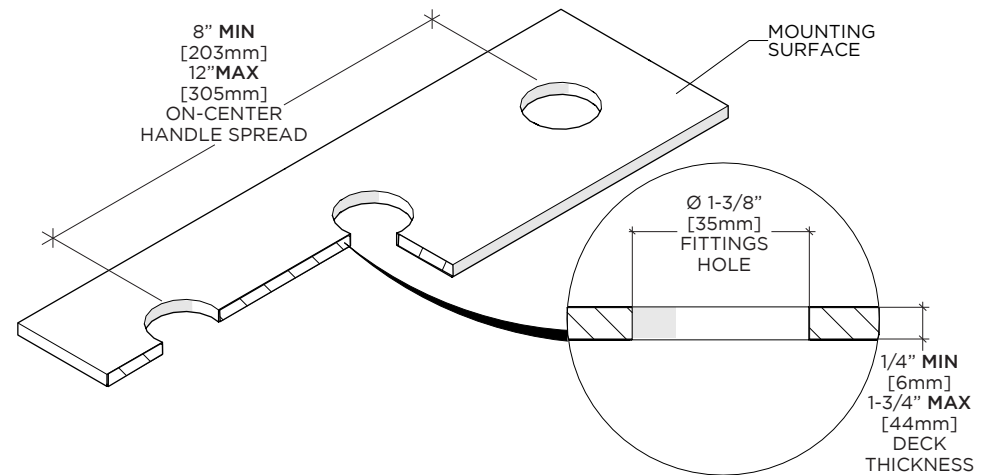
STYLE		
NKM310	NKM320 [SHOWN]	NKM360

IMPORTANT:

- To ensure this product is installed properly, you must read and follow these guidelines.
- The owner/user of this product must keep this information for future reference.
- This product must be installed by a professional licensed contractor.
- Be sure your installation conforms to all federal, state, and local codes. In the State of Massachusetts, all installations must comply with the rules and regulations set forth within 248 CMR.
- Inspect this product to ensure you have all the parts required for proper installation.
- Product is **sold partially** assembled but shown fully disassembled for illustrative and service purposes only.
- **CAUTION:** Use only a strap wrench or protected/smooth-jaw wrench on ANY finished surface
- **CAUTION:** Flushing the SUPPLY VALVES (**sold separately**) prior to installing the FAUCET is recommended. Flushing can prevent damage to the CARTRIDGES and other internal components.
- The use of certain plumber's putty may stain stone or tile surfaces.
- If further assistance is required, please contact Product Support at 1-800-927-2120 Monday through Friday, 8am - 6pm EST.
- Refer to the separate Service Parts Documents for available replacement parts.

TECHNICAL DETAILS:

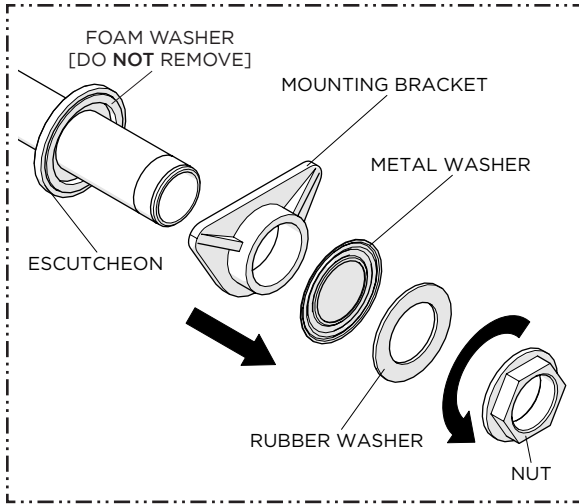
DETAIL	SPECIFICATION
HANDLE SPREAD	8" [203mm] MINIMUM
	12" [305mm] MAXIMUM
SPRAY HOSE LENGTH	59" [1.5m]
FITTINGS HOLE DIAMETER	Ø1-3/8" [35mm]
HANDLE TURN ANGLE	QUARTER TURN
INLET CONNECTION	1/2" MALE WITH SUPPLY NUT
CARTRIDGE TYPE	VC/SHUT OFF
SPOUT REACH	8-13/16" [225mm]
WATER PRESSURE	85psi [6.0 bar] MAXIMUM
	20psi [1.5 bar] MINIMUM
WATER PRESSURE RECOMMENDED	45psi [3.0 bar]



INSTALLATION GUIDELINES

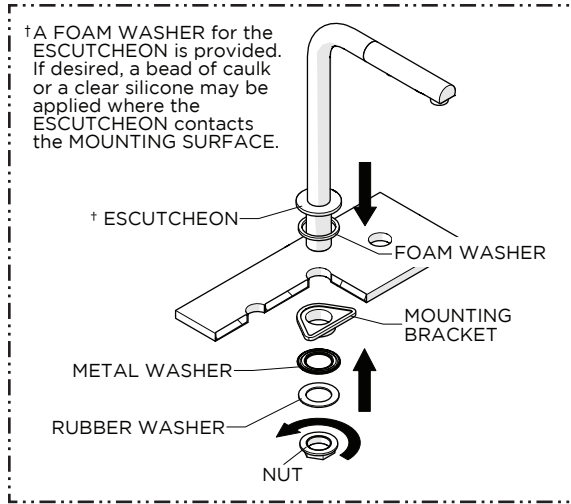
KITCHEN MIXER

WATERWORKS



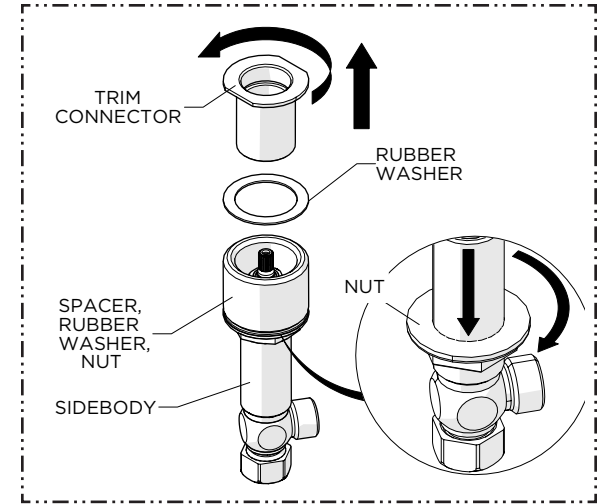
1. Remove the NUT, RUBBER WASHER, METAL WASHER and MOUNTING BRACKET from the SPOUT SHANK.

NOTE: Do **NOT** remove the FOAM WASHER beneath the ESCUTCHEON.



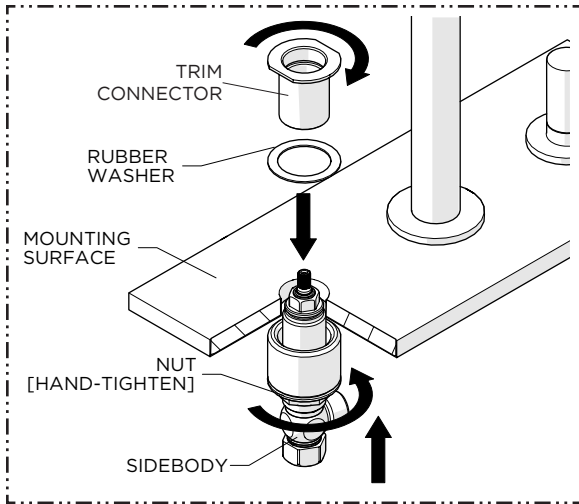
†A FOAM WASHER for the ESCUTCHEON is provided. If desired, a bead of caulk or a clear silicone may be applied where the ESCUTCHEON contacts the MOUNTING SURFACE.

2. Insert the SHANK through the hole on the MOUNTING SURFACE, making sure the FOAM WASHER is beneath the ESCUTCHEON, then re-install the MOUNTING BRACKET along with the WASHERS and securely tighten the NUT.

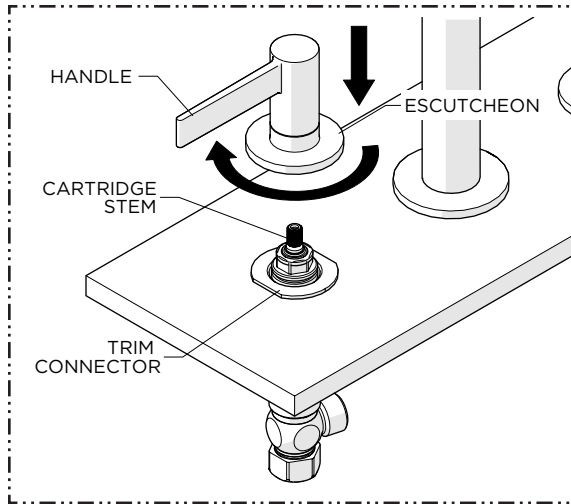


3. Unthread and remove the TRIM CONNECTOR and RUBBER WASHER from the SIDEBODY then fully thread the NUT down the SIDEBODY.

NOTE: Do **NOT** remove the LOWER DECK WASHER and SPACER.

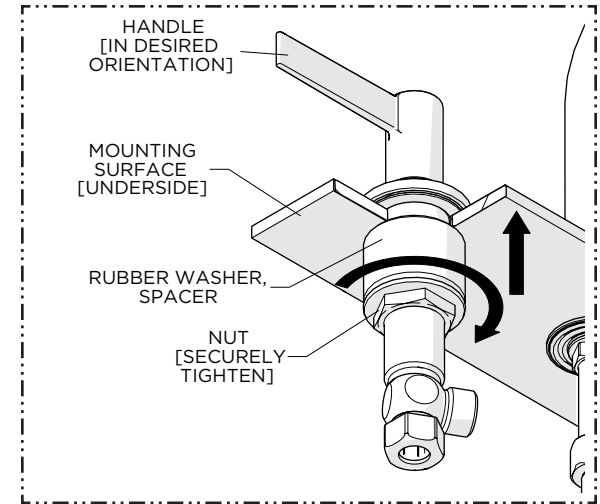


4. Making sure the RUBBER WASHER is beneath the TRIM CONNECTOR, insert the SIDEBODY through the hole on the MOUNTING SURFACE from below, then thread the TRIM CONNECTOR back onto the SIDEBODY until snug, then hand-tighten the NUT to allow for proper alignment.



5. Place the HANDLE over the CARTRIDGE STEM then thread the ESCUTCHEON into the CARTRIDGE until snug.

NOTE: The use of a strap wrench may be necessary. Be careful **not** to damage the finish.



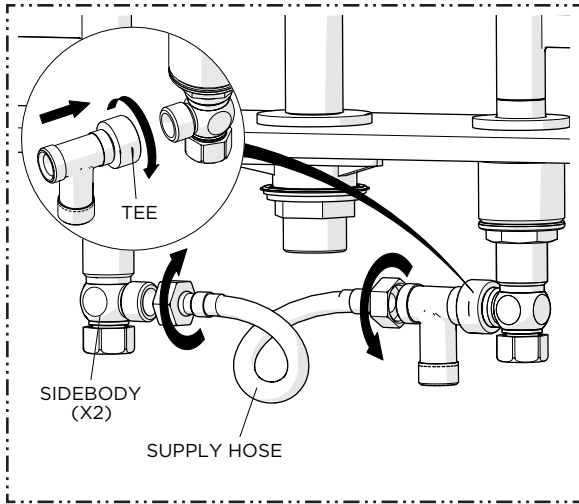
6. Ensure the HANDLE is in the desired orientation then thread and securely tighten the NUT against the underside of the MOUNTING SURFACE.

➤ **REPEAT STEPS 3 THROUGH 6 TO INSTALL THE SECOND (2ND) HANDLE**

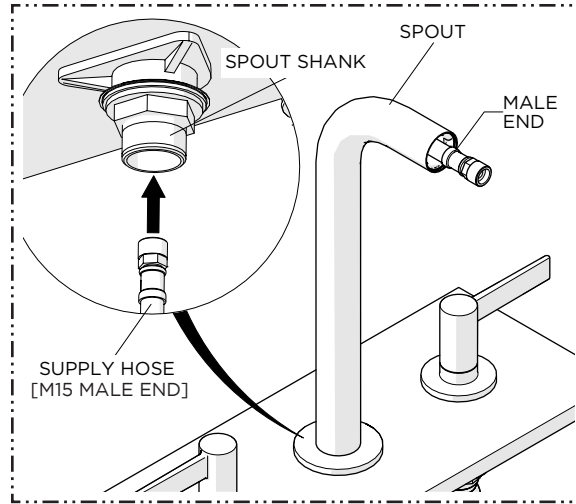
INSTALLATION GUIDELINES

KITCHEN MIXER

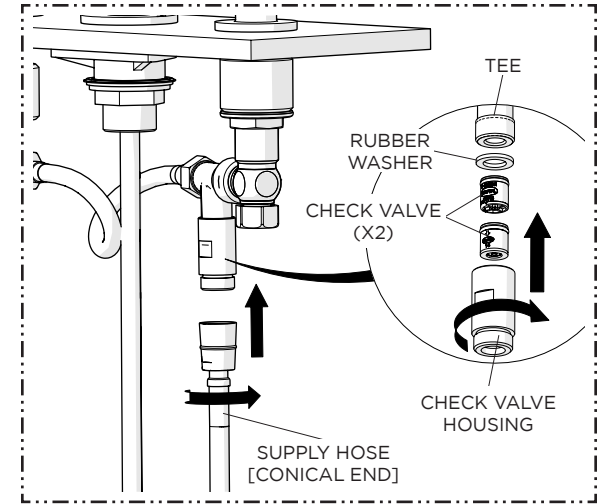
WATERWORKS



7. Thread the TEE to the right SIDEBODY and connect the left SIDEBODY and TEE with the SUPPLY HOSES provided. Securely tighten the HOSE and ensure it is not pinched/kinked.

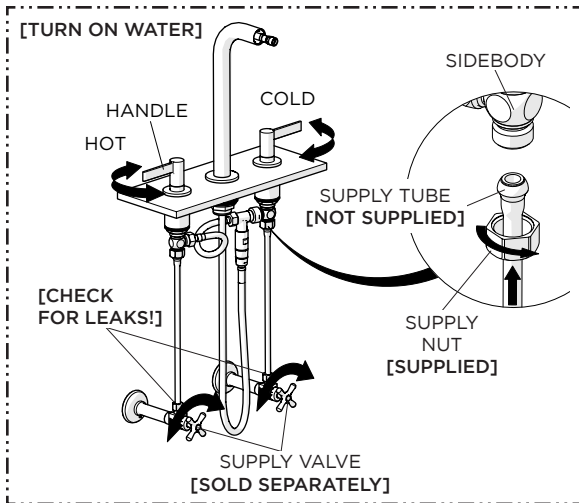


8. Insert the MALE END of the SPRAY HOSE through the bottom of the SPOUT SHANK until it protrudes from the end of the SPOUT.

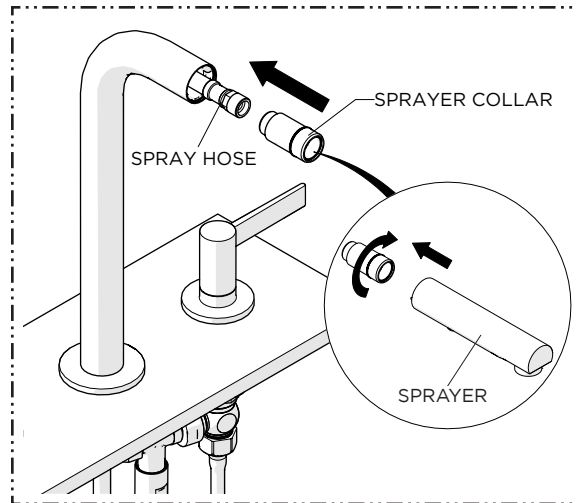


9. Thread and securely tighten the CHECK VALVE HOUSING along with the RUBBER WASHER, then thread the conical end of the SUPPLY HOSE to the CHECK VALVE HOUSING.

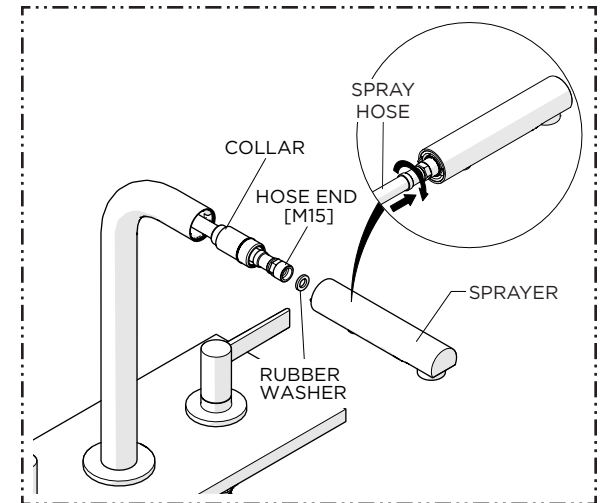
NOTE: A FLOW REGULATING CHECK VALVE is located inside the CHECK VALVE HOUSING.



10. Turn on the water supply and operate the HANDLE to flush out any debris in the SUPPLY LINES and ensure it operates and functions properly. Check all connections for **leaks**, then turn off the water.



11. Unthread and remove the COLLAR from the SPRAYER, then insert the SPRAY HOSE through the COLLAR.

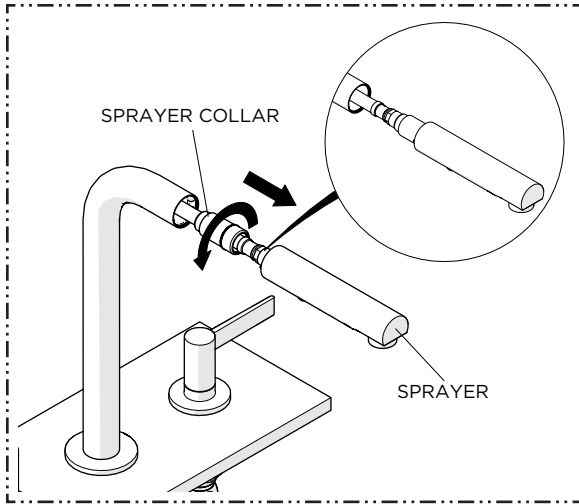


12. Thread and securely tighten the SPRAY HOSE into the SPRAYER making sure to use the RUBBER WASHER provided.

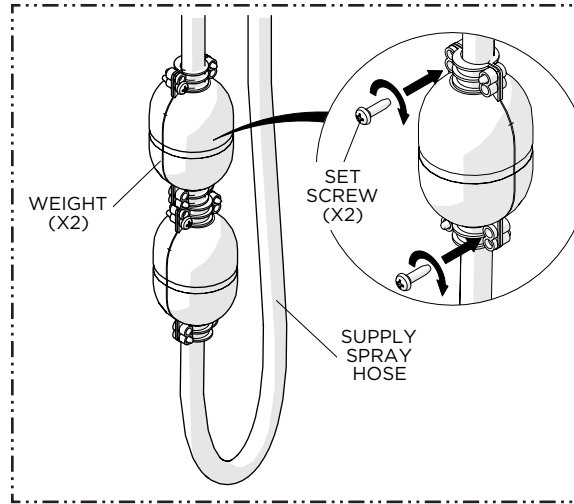
INSTALLATION GUIDELINES

KITCHEN MIXER

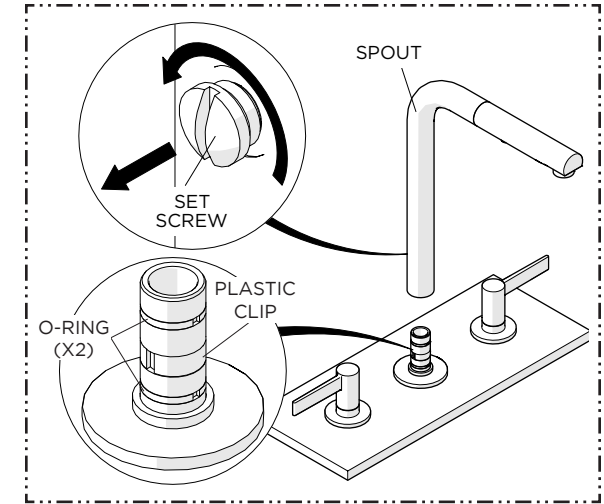
WATERWORKS



13. Thread and securely tighten the COLLAR back onto the SPRAYER.

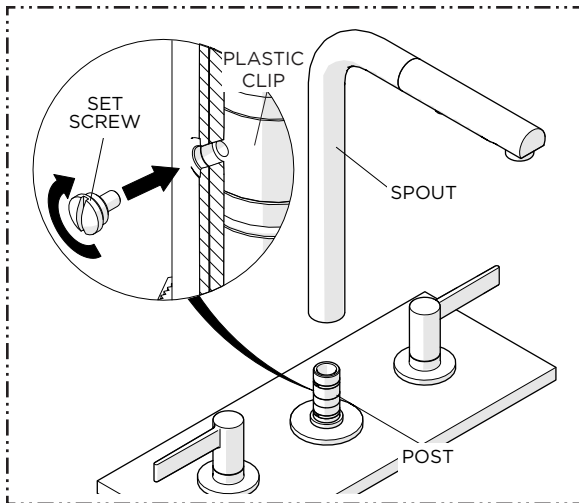


14. Remove the SCREWS on the WEIGHT using a Phillips head screwdriver and separate the two parts of the WEIGHT. Place the WEIGHT around the SPRAY HOSE and re-attach the SCREWS to secure the WEIGHT in the desired position. Repeat for both weights.

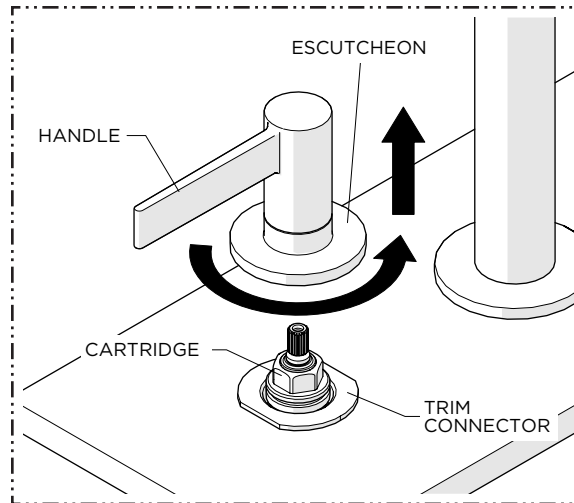


SERVICING THE SPOUT:

1. Unthread the SET SCREW located at the base of the SPOUT then pull the SPOUT up to expose the POST.

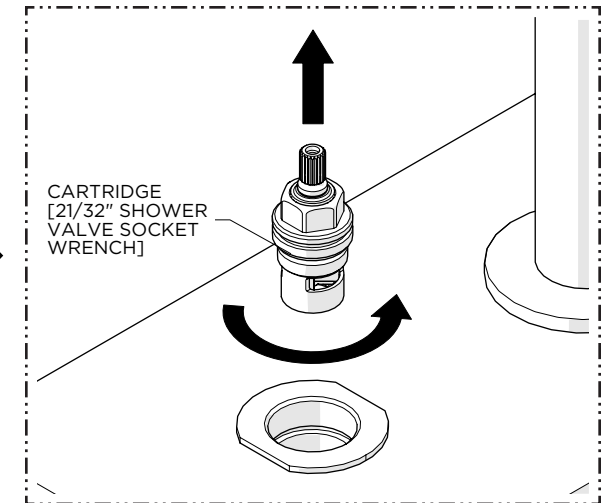


2. When replacing the SPOUT, the SET SCREW must properly align with the hole on the PLASTIC CLIP to securely hold the SPOUT in position.



SERVICING THE CARTRIDGE:

1. Unthread the GLAND COVER from the TRIM CONNECTOR to expose the CARTRIDGE.



2. Unthread and remove the CARTRIDGE using a 21/32" [17mm] shower valve socket wrench.