

Belden

100684

Belden Double Vanity with Tapered Legs 66" x 22" x 33 1/4"



SHOWN IN BELDEN DOUBLE VANITY WITH TAPERED LEGS 66" X 22" X 33 1/4" | 100684

TECHNICAL DETAILS

ADA Compliance: No
Adjustable Levelers Feet: N
Bowl Shape: Oval
Depth To Overflow: 114 mm
Drain Hole Depth: 44 mm
Drain Hole Diameter: 44 mm
Fittings Hole Depth: 32 mm
Fittings Hole Diameter: 35 mm
Overflow Opening: Yes
Primary Material: Wood
Sink Visibility: N

INSPIRATION

Classic with a twist: Reimagined in a distinctive transitional style, our wood paneled doors complement a range of hardware styles & lend instant architecture to a room.

CODES & STANDARDS

PRODUCT FEATURES

Designed by and exclusive to Waterworks

Vanity with three drawers; Hardware sold separately

Stocked in Clear Oak, Antique Walnut Finish or Factory Finished in Chalk, Driftwood, Midnight, Steel, Franklin Gray, or Whisper

Available with sink and slab top: use BEVN12

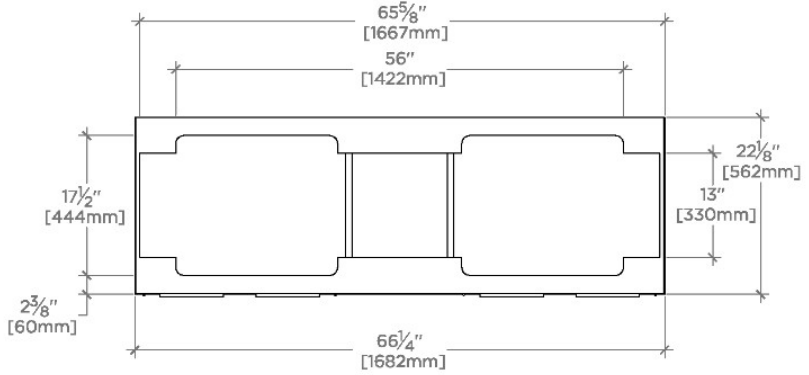
CERTIFICATIONS

PRODUCT (NOTES)

Belden

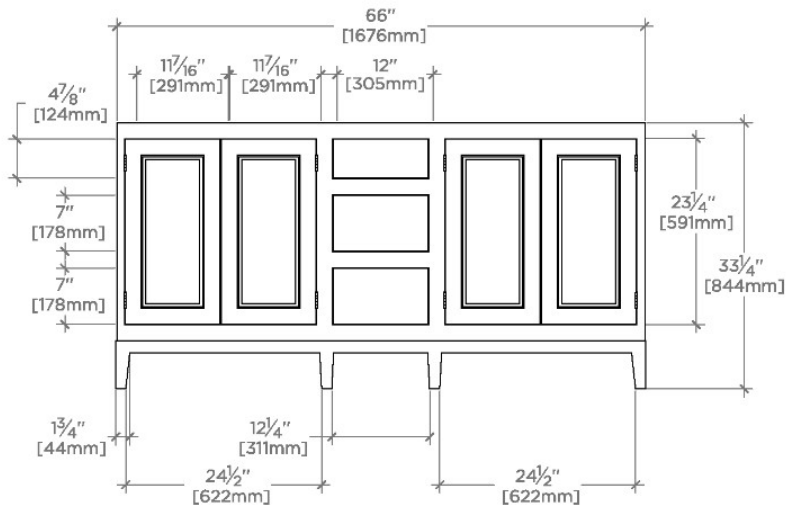
100684

Belden Double Vanity with Tapered Legs 66" x 22" x 33 1/4"



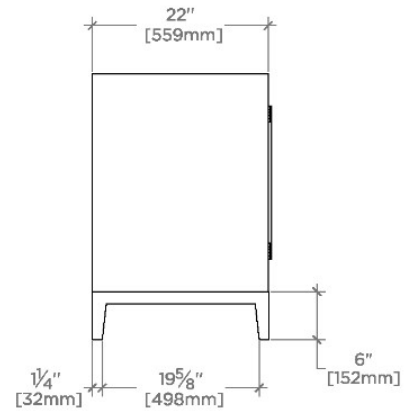
TOP VIEW

SCALE: 1/2"=1'-0"



FRONT VIEW

SCALE: 1/2"=1'-0"



SIDE VIEW

SCALE: 1/2"=1'-0"