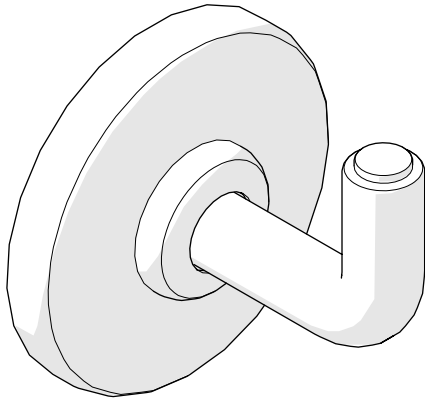


INSTALLATION GUIDELINES

ROBE HOOK

LUDLOW VOLTA WALL MOUNTED ROBE HOOK

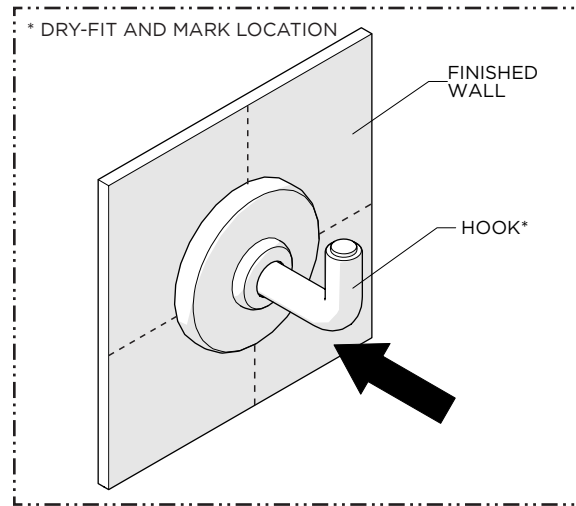


STYLE

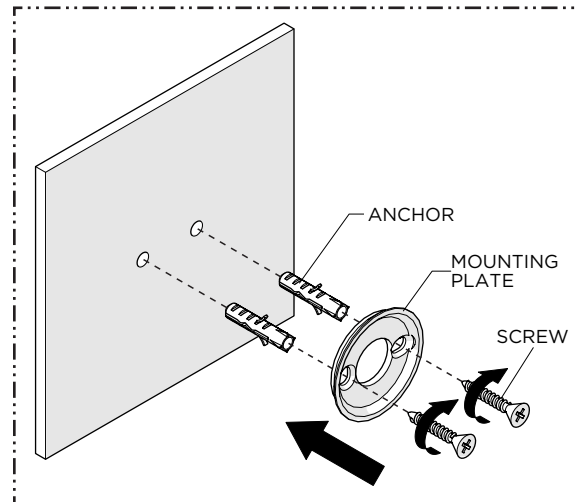
LDRH15

IMPORTANT:

- To ensure this product is installed properly, you must read and follow these guidelines.
- The owner/user of this product must keep this information for further reference.
- This product must be installed by a professional licensed contractor.
- Inspect this product to ensure you have all the parts required for proper installation.
- If further assistance is required, please contact Product Support at 1-800-927-2120 Monday through Friday, 8am - 6pm EST.
- Refer to the separate Service Parts Documents for available replacement parts.

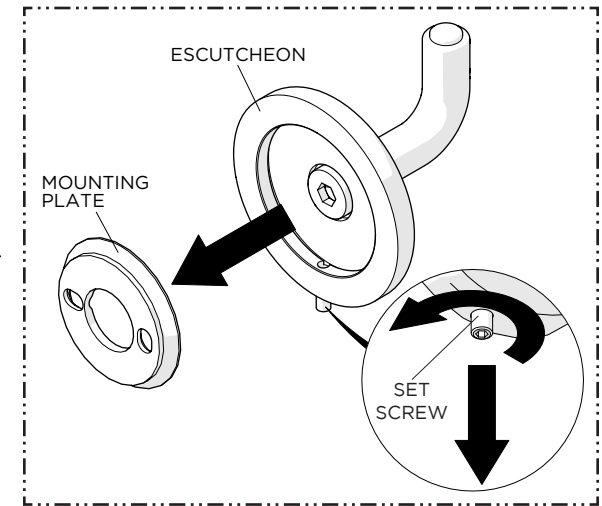


1. Dry-fit the ROBE HOOK to the FINISHED WALL and mark the ideal location.

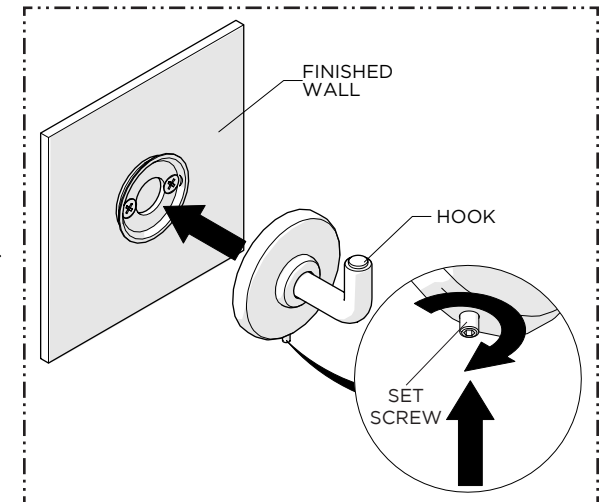


3. Using the previous marks as a reference, install the MOUNTING PLATES using the SCREWS and ANCHORS provided.

WATERWORKS



2. Loosen, but do **NOT** remove, the SET SCREW on the bottom of ESCUTCHEON.



4. With proper orientation, place the HOOK onto the MOUNTING PLATE, securely tighten the SET SCREW using 1/16" [1.5mm] HEX key.