

## HIGHGATE

## HGXT40

Highgate Deck Mounted Exposed Tub Filler with Handshower and Cross Handles



SHOWN IN HIGHGATE DECK MOUNTED EXPOSED TUB FILLER WITH HANDSHOWER AND CROSS HANDLES | HGXT40

### TECHNICAL DETAILS

ADA Compliance: No  
 Adjustable Versus Fixed Spray: Fixed Spray  
 Deck Thickness Maximum: 1 7/8"  
 Deck Thickness Minimum: 0"  
 Depth/Width: 11 1/2"  
 Diameter Of Head: 2 3/4"  
 Diameter Of Legs Tubes: 1 1/8"  
 Escutcheon Primary Material: Brass  
 Fittings Hole Diameter: 1 1/4"  
 Flow Restriction Options: 2.0, 1.75, 1.5, 0.92  
 Handle Spread Maximum: 7 5/8"  
 Handle Spread Minimum: 7 5/8"  
 Handle Turn Angle: Quarter Turn  
 Handshower Spray Hose Length: 59"  
 Height: 15"  
 Index Color Finish And Material: White Porcelain  
 Index Marking: H/C  
 Inlet Connection Size: 3/4"  
 Inlet Connection Type: Male NPT Adapter  
 Inlet Supply Spread Maximum: 7 5/8"  
 Inlet Supply Spread Minimum: 7 5/8"  
 Installation Type: Deck Mounted  
 Integrated Diverter: N  
 Integrated Spray: N  
 Length: 9 15/16"  
 Number Of Handles: Three  
 Number Of Holes: Two Hole  
 Pivot: N  
 Primary Material: Brass  
 Spout Swivel: N  
 Spray Included In Unit: N  
 Suggested Application: Bath  
 Valve Material: Ceramic  
 Water Pressure Maximum: 85.0 psi  
 Water Pressure Minimum: 20.0 psi  
 Water Pressure Recommended: 45.0 psi

### INSPIRATION

Our take on old English style: simple, functional shapes, detailed with white porcelain indices and hexagonal accents for a timeless feel.

### CODES & STANDARDS

ASME A112.18.1/CSA B125.1, Waterworks Handshowers use check valves compliant to ASME A112.18.3 for backflow protection. CEC, State of MA

### PRODUCT FEATURES

Cross Handles

Handshower Offers a Fixed Spray Pattern

Stocked in Chrome, Nickel and Brass

Unrestricted Flow for Tub Spout. Handshower Available in 1.75gpm (6.6L/min) Flow Rate

### CERTIFICATIONS



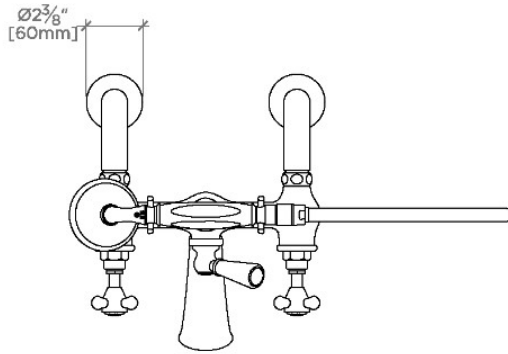
### PRODUCT (NOTES)

Includes deck unions. You are able to specify the Universal Floor Unions (UNUN32) to be used with Waterworks Studio Highgate Wall Mounted Exposed Tub Filler (HGXT20).

## HIGHGATE

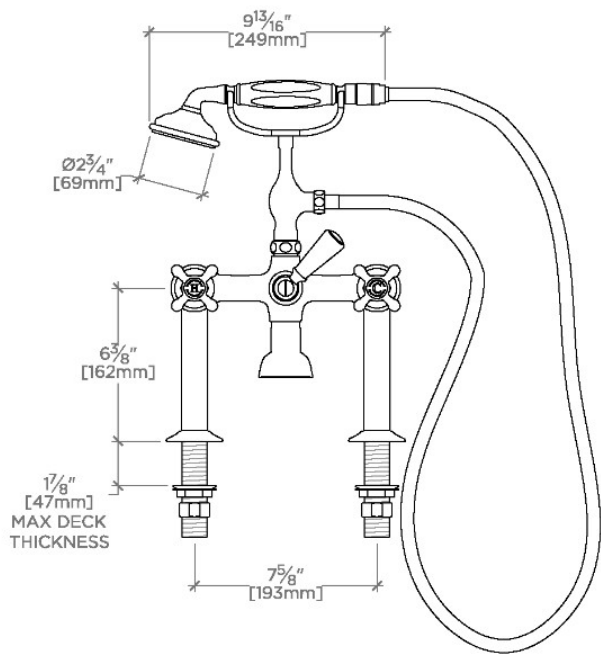
## HGXT40

Highgate Deck Mounted Exposed Tub Filler with Handshower and Cross Handles



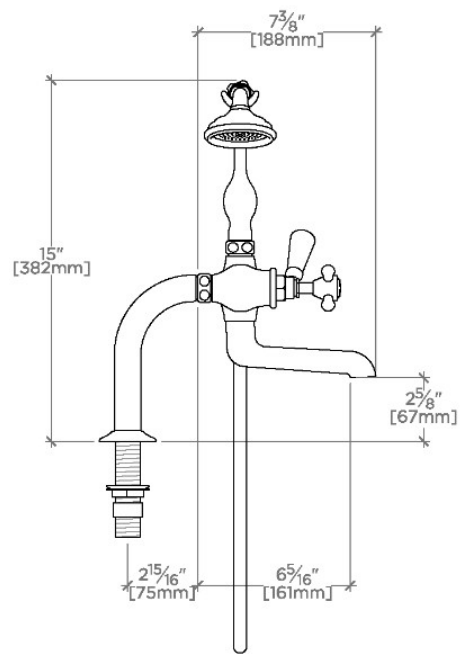
TOP VIEW

SCALE: 1/2"=1'-0"



FRONT VIEW

SCALE: 1/2"=1'-0"



SIDE VIEW

SCALE: 1/2"=1'-0"